



# *Standard Window & Door Sizes*



Tip to Tip (Flange to Flange) Available in Single Hung		
	Tip to Tip	DLO
12	19 1/8 x 26	17 7/8 x 24 3/4
13	19 1/8 x 38 3/8	17 7/8 x 37 1/8
14	19 1/8 x 50 5/8	17 7/8 x 49 3/8
14-5	19 1/8 x 56	17 7/8 x 54 3/4
15	19 1/8 x 63	17 7/8 x 61 3/4
16	19 1/8 x 72	17 7/8 x 70 3/4
16-5	19 1/8 x 76	17 7/8 x 74 3/4
1h32	26 1/2 x 26	25 1/4 x 24 3/4
1h33	26 1/2 x 38 3/8	25 1/4 x 37 1/8
1h34	26 1/2 x 50 5/8	25 1/4 x 49 3/8
1h34-5	26 1/2 x 56	25 1/4 x 54 3/4
1h35	26 1/2 x 63	25 1/4 x 61 3/4
1h36	26 1/2 x 72	25 1/4 x 70 3/4
1h36-5	26 1/2 x 76	25 1/4 x 74 3/4
22	37 x 26	35 3/4 x 24 3/4
23	37 x 38 3/8	35 3/4 x 37 1/8
24	37 x 50 5/8	35 3/4 x 49 3/8
24-5	37 x 56	35 3/4 x 54 3/4
25E	37 x 63	35 3/4 x 61 3/4
26E	37 x 72	35 3/4 x 70 3/4
26-5E	37 x 76	35 3/4 x 74 3/4
32	53 1/8 x 26	51 7/8 x 24 3/4
33	53 1/8 x 38 3/8	51 7/8 x 37 1/8
34	53 1/8 x 50 5/8	51 7/8 x 49 3/8
34-5	53 1/8 x 56	51 7/8 x 54 3/4
35E	53 1/8 x 63	51 7/8 x 61 3/4
36E	53 1/8 x 72	51 7/8 x 70 3/4
36-5E	53 1/8 x 76	51 7/8 x 74 3/4

Combination units (Using 3" or 4" mull bars)		
	Tip to Tip	DLO
Dbl		
23	74 1/8 x 38 3/8	72 7/8 x 37 1/8
24	74 1/8 x 50 5/8	72 7/8 x 49 3/8
25	74 1/8 x 63	72 7/8 x 61 3/4
Dbl		
33	106 3/8 x 38 3/8	105 1/8 x 37 1/8
34	106 3/8 x 50 5/8	105 1/8 x 49 3/8
35	106 3/8 x 63	105 1/8 x 61 3/4
Triple		
24	111 1/4 x 50 5/8	110 x 49 3/8
25	111 1/4 x 63	110 x 61 3/4

DLO (Buck) (Day Lite Opening) Available in Single Hung		
	Tip to Tip	DLO
2024	24 3/4 x 28 3/4	23 1/2 x 27 1/2
2030	24 3/4 x 36 3/4	23 1/2 x 35 1/2
2038	24 3/4 x 44 3/4	23 1/2 x 43 1/2
2040	24 3/4 x 48 3/4	23 1/2 x 47 1/2
2044	24 3/4 x 52 3/4	23 1/2 x 51 1/2
2050	24 3/4 x 60 3/4	23 1/2 x 59 1/2
2060	24 3/4 x 72 3/4	23 1/2 x 71 1/2
2424	28 3/4 x 28 3/4	27 1/2 x 27 1/2
2430	28 3/4 x 36 3/4	27 1/2 x 35 1/2
2438	28 3/4 x 44 3/4	27 1/2 x 43 1/2
2440	28 3/4 x 48 3/4	27 1/2 x 47 1/2
2444	28 3/4 x 52 3/4	27 1/2 x 51 1/2
2450	28 3/4 x 60 3/4	27 1/2 x 59 1/2
2460	28 3/4 x 72 3/4	27 1/2 x 71 1/2
2824	32 3/4 x 28 3/4	31 1/2 x 27 1/2
2830	32 3/4 x 36 3/4	31 1/2 x 35 1/2
2838	32 3/4 x 44 3/4	31 1/2 x 43 1/2
2840	32 3/4 x 48 3/4	31 1/2 x 47 1/2
2844	32 3/4 x 52 3/4	31 1/2 x 51 1/2
2859	32 3/4 x 60 3/4	31 1/4 x 59 1/4
2860E	32 3/4 x 72 3/4	31 1/2 x 71 1/2
3024	36 3/4 x 28 3/4	35 1/2 x 27 1/2
3030	36 3/4 x 36 3/4	35 1/2 x 35 1/2
3038	36 3/4 x 44 3/4	35 1/2 x 43 1/2
3040	36 3/4 x 48 3/4	35 1/2 x 47 1/2
3044	36 3/4 x 52 3/4	35 1/2 x 51 1/2
3050	36 3/4 x 60 3/4	35 1/2 x 59 1/2
3050 E	37 1/4 x 61 1/4	36 x 60
3060E	36 3/4 x 72 3/4	35 1/2 x 71 1/2
3424	40 3/4 x 28 3/4	39 1/2 x 27 1/2
3430	40 3/4 x 36 3/4	39 1/2 x 35 1/2
3438	40 3/4 x 44 3/4	39 1/2 x 43 1/2
3440	40 3/4 x 48 3/4	39 1/2 x 47 1/2
3444	40 3/4 x 52 3/4	39 1/2 x 51 1/2
3450E	40 3/4 x 60 3/4	39 1/2 x 59 1/2
3460E	40 3/4 x 72 3/4	39 1/2 x 71 1/2
3824	44 3/4 x 28 3/4	43 1/2 x 27 1/2
3830	44 3/4 x 36 3/4	43 1/2 x 35 1/2
3838	44 3/4 x 44 3/4	43 1/2 x 43 1/2
3840	44 3/4 x 48 3/4	43 1/2 x 47 1/2
3844	44 3/4 x 52 3/4	43 1/2 x 51 1/2
3850E	44 3/4 x 60 3/4	43 1/2 x 59 1/2
3860E	44 3/4 x 72 3/4	43 1/2 x 71 1/2
4024	48 3/4 x 28 3/4	47 1/2 x 27 1/2
4030	48 3/4 x 36 3/4	47 1/2 x 35 1/2
4038	48 3/4 x 44 3/4	47 1/2 x 43 1/2
4040	48 3/4 x 48 3/4	47 1/2 x 47 1/2
4044	48 3/4 x 52 3/4	47 1/2 x 51 1/2
4050E	48 3/4 x 60 3/4	47 1/2 x 59 1/2
4060E	48 3/4 x 72 3/4	47 1/2 x 71 1/2

MULL BAR		
	Tip size	DLO size
2HI	26"	24 3/4
3HI	38 3/8"	37 1/8
4HI	50 5/8"	49 3/8
4-5HI	56"	54 3/4
5HI	63"	61 3/4
6HI	72"	70 3/4
6-5HI	76"	74 3/4
30	36 1/2"	35 1/2
40	48 1/2"	47 1/2
50	60 1/2"	59 1/2
60	72 1/2"	71 1/2

Mull bar ADDS 1/8" (.125) of an inch TIP dimensions (Flange).  
Exp: 37+37+.125=74 1/8  
(Unless using 5 1/2" mull then add 5/8")

Mull bar ADDS 1 3/8" (1.375) of an inch DLO (Buck)  
Exp: 35 1/2+35 1/2+1.375=72 7/8  
(Unless using 5 1/2" mull then add 2")



## PVC (Vinyl) Window Sizes (Single Hungs)

E=MEETS EGRESS 5.7 SQ FT

Tip to Tip (Flange to Flange) <b>Horz. Rollers</b>		
	Tip to Tip	DLO
1h32	26 1/2 x 26	25 1/4 x 24 3/4
1h33	26 1/2 x 38 3/8	25 1/4 x 37 1/8
1h34	26 1/2 x 50 5/8	25 1/4 x 49 3/8
1h34-5	26 1/2 x 56	25 1/4 x 54 3/4
1h35	26 1/2 x 63	25 1/4 x 61 3/4
1h36	26 1/2 x 72	25 1/4 x 70 3/4
1h36-5	26 1/2 x 76	25 1/4 x 74 3/4
22	37 x 26	35 3/4 x 24 3/4
23	37 x 38 3/8	35 3/4 x 37 1/8
24	37 x 50 5/8	35 3/4 x 49 3/8
24-5	37 x 56	35 3/4 x 54 3/4
25	37 x 63	35 3/4 x 61 3/4
26	37 x 72	35 3/4 x 70 3/4
26-5	37 x 76	35 3/4 x 74 3/4
32	53 1/8 x 26	51 7/8 x 24 3/4
33	53 1/8 x 38 3/8	51 7/8 x 37 1/8
34E	53 1/8 x 50 5/8	51 7/8 x 49 3/8
34-5E	53 1/8 x 56	51 7/8 x 54 3/4
35E	53 1/8 x 63	51 7/8 x 61 3/4
36E	53 1/8 x 72	51 7/8 x 70 3/4

DLO (Buck) (Day Lite Opening) <b>Horz. Rollers</b>		
	Tip to Tip	DLO
2859	32 3/4 x 60 3/4	31 1/4 x 59 1/4
2860	32 3/4 x 72 3/4	31 1/2 x 71 1/2
3024	36 3/4 x 28 3/4	35 1/2 x 27 1/2
3030	36 3/4 x 36 3/4	35 1/2 x 35 1/2
3038	36 3/4 x 44 3/4	35 1/2 x 43 1/2
3040	36 3/4 x 48 3/4	35 1/2 x 47 1/2
3044	36 3/4 x 52 3/4	35 1/2 x 51 1/2
3050	36 3/4 x 60 3/4	35 1/2 x 59 1/2
3060	36 3/4 x 72 3/4	35 1/2 x 71 1/2
3424	40 3/4 x 28 3/4	39 1/2 x 27 1/2
3430	40 3/4 x 36 3/4	39 1/2 x 35 1/2
3438	40 3/4 x 44 3/4	39 1/2 x 43 1/2
3440	40 3/4 x 48 3/4	39 1/2 x 47 1/2
3444	40 3/4 x 52 3/4	39 1/2 x 51 1/2
3450	40 3/4 x 60 3/4	39 1/2 x 59 1/2
3460	40 3/4 x 72 3/4	39 1/2 x 71 1/2
3824	44 3/4 x 28 3/4	43 1/2 x 27 1/2
3830	44 3/4 x 36 3/4	43 1/2 x 35 1/2
3838	44 3/4 x 44 3/4	43 1/2 x 43 1/2
3840	44 3/4 x 48 3/4	43 1/2 x 47 1/2
3844	44 3/4 x 52 3/4	43 1/2 x 51 1/2
3850	44 3/4 x 60 3/4	43 1/2 x 59 1/2
3860	44 3/4 x 72 3/4	43 1/2 x 71 1/2
4024	48 3/4 x 28 3/4	47 1/2 x 27 1/2
4030	48 3/4 x 36 3/4	47 1/2 x 35 1/2
4038	48 3/4 x 44 3/4	47 1/2 x 43 1/2
4040	48 3/4 x 48 3/4	47 1/2 x 47 1/2
4044	48 3/4 x 52 3/4	47 1/2 x 51 1/2
4050	48 3/4 x 60 3/4	47 1/2 x 59 1/2
4060	48 3/4 x 72 3/4	47 1/2 x 71 1/2
4624	54 3/4 x 28 3/4	53 1/2 x 27 1/2
4630	54 3/4 x 36 3/4	53 1/2 x 35 1/2
4638E	54 3/4 x 44 3/4	53 1/2 x 43 1/2
4640E	54 3/4 x 48 3/4	53 1/2 x 47 1/2
4644E	54 3/4 x 52 3/4	53 1/2 x 51 1/2
4650E	54 3/4 x 60 3/4	53 1/2 x 59 1/2
4660E	54 3/4 x 72 3/4	53 1/2 x 71 1/2
5024	60 3/4 x 28 3/4	59 1/2 x 27 1/2
5030	60 3/4 x 36 3/4	59 1/2 x 35 1/2
5038E	60 3/4 x 44 3/4	59 1/2 x 43 1/2
5040E	60 3/4 x 48 3/4	59 1/2 x 47 1/2
5044E	60 3/4 x 52 3/4	59 1/2 x 51 1/2
5050E	60 3/4 x 60 3/4	59 1/2 x 59 1/2

DLO (Buck) (Day Lite Opening) <b>Horz. Rollers</b>		
	Tip to Tip	DLO
5060E	60 3/4 x 72 3/4	59 1/2 x 71 1/2
5624	66 3/4 x 28 3/4	65 1/2 x 27 1/2
5630E	66 3/4 x 36 3/4	65 1/2 x 35 1/2
5638E	66 3/4 x 44 3/4	65 1/2 x 43 1/2
5640E	66 3/4 x 48 3/4	65 1/2 x 47 1/2
5644E	66 3/4 x 52 3/4	65 1/2 x 51 1/2
5650E	66 3/4 x 60 3/4	65 1/2 x 59 1/2
5660E	66 3/4 x 72 3/4	65 1/2 x 71 1/2
6024E	72 3/4 x 28 3/4	71 1/2 x 27 1/2
6030E	72 3/4 x 36 3/4	71 1/2 x 35 1/2
6038E	72 3/4 x 44 3/4	71 1/2 x 43 1/2
6040E	72 3/4 x 48 3/4	71 1/2 x 47 1/2
6044E	72 3/4 x 52 3/4	71 1/2 x 51 1/2
6050E	72 3/4 x 60 3/4	71 1/2 x 59 1/2
6060E	72 3/4 x 72 3/4	71 1/2 x 71 1/2

DLO (Buck) (Day Lite Opening) <b>Horz. Rollers</b>		
	Tip to Tip	DLO
	26 x 30	24 3/4 x 28 3/4
	26 x 38	24 3/4 x 36 3/4
	26 x 46	24 3/4 x 44 3/4
	26 x 50	24 3/4 x 48 3/4
	26 x 54	24 3/4 x 52 3/4
	26 x 62	24 3/4 x 60 3/4
	26 x 74	24 3/4 x 72 3/4
2424	28 3/4 x 28 3/4	27 1/2 x 27 1/2
2430	28 3/4 x 36 3/4	27 1/2 x 35 1/2
2438	28 3/4 x 44 3/4	27 1/2 x 43 1/2
2440	28 3/4 x 48 3/4	27 1/2 x 47 1/2
2444	28 3/4 x 52 3/4	27 1/2 x 51 1/2
2450	28 3/4 x 60 3/4	27 1/2 x 59 1/2
2460	28 3/4 x 72 3/4	27 1/2 x 71 1/2
2824	32 3/4 x 28 3/4	31 1/2 x 27 1/2
2830	32 3/4 x 36 3/4	31 1/2 x 35 1/2
2838	32 3/4 x 44 3/4	31 1/2 x 43 1/2
2840	32 3/4 x 48 3/4	31 1/2 x 47 1/2
2844	32 3/4 x 52 3/4	31 1/2 x 51 1/2



**PVC (Vinyl) Window  
Sizes (Horz. Roller)**

E=MEETS EGRESS 5.7 SQ FT

SPS (Slide Picture Slide) XOX Available in  
**IMPACT & Non-Impact**

	Tip to Tip	DLO
	49 1/4 x 25 1/4	48 x 24
	49 1/4 x 37 1/4	48 x 36
	49 1/4 x 49 1/4	48 x 48
	49 1/4 x 61 1/4	48 x 60
	61 1/4 x 25 1/4	60 x 24
	61 1/4 x 37 1/4	60 x 36
	61 1/4 x 49 1/4	60 x 48
	61 1/4 x 61 1/4	60 x 60
	73 1/4 x 25 1/4	72 x 24
	73 1/4 x 37 1/4	72 x 36
	73 1/4 x 49 1/4	72 x 48
	73 1/4 x 61 1/4	72 x 60
	85 1/4 x 25 1/4	84 x 24
	85 1/4 x 37 1/4	84 x 36
	85 1/4 x 49 1/4	84 x 48
	85 1/4 x 61 1/4	84 x 60
	97 1/4 x 25 1/4	96 x 24
	97 1/4 x 37 1/4	96 x 36
E	97 1/4 x 49 1/4	96 x 48
E	97 1/4 x 61 1/4	96 x 60
	109 1/4 x 25 1/4	108 x 24
	109 1/4 x 37 1/4	108 x 36
E	109 1/4 x 49 1/4	108 x 48
E	109 1/4 x 61 1/4	108 x 60
	<b>* ONLY Available in Non-Impact</b>	
	<b>*121 1/4 x 25 1/4</b>	<b>120 x 24</b>
E	<b>*121 1/4 x 37 1/4</b>	<b>120 x 36</b>
E	<b>*121 1/4 x 49 1/4</b>	<b>120 x 48</b>
E	<b>*121 1/4 x 61 1/4</b>	<b>120 x 60</b>



**PVC (Vinyl) Window Sizes**

**(Horz. Roller SPS)**

E=MEETS EGRESS 5.7 SQ FT



# Egress Windows

Single Hung	
	Tip to Tip
25	37 x 63
26	37 x 72
26-5	37 x 76
35	53 1/8 x 63
36	53 1/8 x 72
36-5	53 1/8 x 76

	DLO
3050 E	36 x 60
3060	35 1/2 x 71 1/2
3450	39 1/2 x 59 1/2
3460	39 1/2 x 71 1/2
3850	43 1/2 x 59 1/2
3860	43 1/2 x 71 1/2
4050	47 1/2 x 59 1/2
4060	47 1/2 x 71 1/2
Custom sizes	36 x 60
Custom sizes	36 x 66
Custom sizes	36 x 72
Custom sizes	36 x 74 3/4
Custom sizes	48 x 60
Custom sizes	48 x 66
Custom sizes	48 x 72
Custom sizes	48 x 74 3/4
Custom sizes	51 7/8 x 60
Custom sizes	51 7/8 x 66
Custom sizes	51 7/8 x 72
Custom sizes	51 7/8 x 74 3/4

Horizontal Roller	
	Tip to Tip
34	53 1/8 x 50 5/8

	DLO
4638	53 1/2 x 43 1/2
4640	53 1/2 x 47 1/2
4644	53 1/2 x 51 1/2
5038	59 1/2 x 43 1/2
5040	59 1/2 x 47 1/2
5044	59 1/2 x 51 1/2
5630	65 1/2 x 35 1/2
5638	65 1/2 x 43 1/2
5640	65 1/2 x 47 1/2
5644	65 1/2 x 51 1/2
6030	71 1/2 x 35 1/2
6038	71 1/2 x 43 1/2
6040	71 1/2 x 47 1/2
6044	71 1/2 x 51 1/2
Custom sizes	48 x 48
Custom sizes	48 x 54
Custom sizes	54 x 42
Custom sizes	54 x 48
Custom sizes	54 x 54
Custom sizes	60 x 36
Custom sizes	60 x 42
Custom sizes	60 x 48
Custom sizes	60 x 54
Custom sizes	66 x 36
Custom sizes	66 x 42
Custom sizes	66 x 48
Custom sizes	66 x 54
Custom sizes	72 x 30
Custom sizes	72 x 36
Custom sizes	72 x 42
Custom sizes	72 x 48
Custom sizes	72 x 54
Custom sizes	72 x 63

Casement	
	Tip to Tip
1H34 E	29 1/4 x 50 5/8
1H35-5 E	29 1/4 x 56
1H35 E	29 1/4 x 63
1H36 E	29 1/4 X 72
24	37 x 50 5/8
24-5	37 x 56
25	37 x 63
26	37 x 72

	DLO
2440 E	28 X 47 1/2
2444 E	28 X 51 1/2
2450 E	28 X 59 1/2
2460 E	28 X 71 1/2
2840	31 1/2 X 47 1/2
2850	31 1/2 X 59 1/2
2860	31 1/2 X 71 1/2
3038	35 1/2 X 43 1/2
3040	35 1/2 X 47 1/2
3044	35 1/2 X 51 1/2
3050	35 1/2 X 59 1/2
Custom sizes	35 3/4 X 42
Custom sizes	35 3/4 X 48
Custom sizes	35 3/4 X 54
Custom sizes	35 3/4 X 60
Custom sizes	35 3/4 X 66
Custom sizes	35 3/4 X 70 3/4

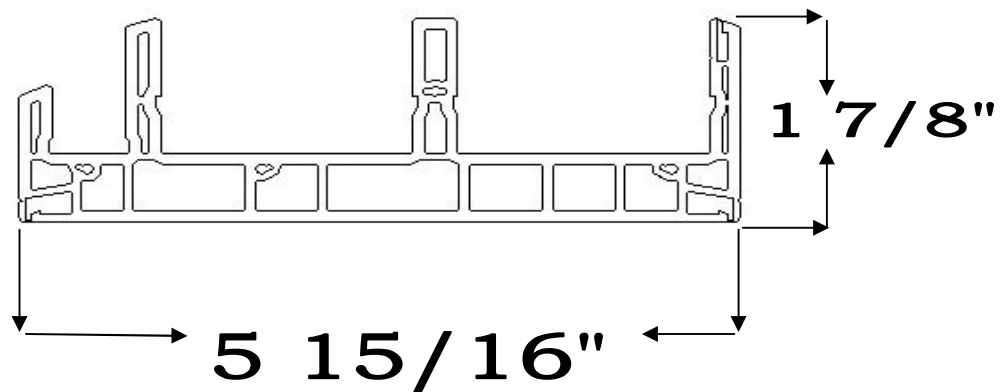
\* Based on windows being **5.7** sq ft of a clear opening

\* Please take note that anything with a **E** next to the Code is a Special size for that call size and is not the true Call size for that window.

## 8900 - SGD

### PVC Panels with PVC Outer Main Frame

Configurations	Size	Width	Height
<b>2P2T</b>	5068	59 1/2	79 1/2
<b>XO, OX</b>	6068	71 1/2	79 1/2
	8068	95 1/2	79 1/2
	5080	59 1/2	95 1/2
	6080	71 1/2	95 1/2
	8080	95 1/2	95 1/2
<b>3P2T</b>	9068	109 1/16	79 1/2
<b>OXO</b>	12068	145 1/16	79 1/2
	9080	109 1/16	95 1/2
	12080	145 1/16	95 1/2
<b>4P2T</b>	10068	118 1/8	79 1/2
<b>OXXO</b>	12068	142 1/8	79 1/2
	16068	190 1/8	79 1/2
	10080	118 1/8	95 1/2
	12080	142 1/8	95 1/2
	16080	190 1/8	95 1/2



**8920- SGD PVC Panels with Alum Outer Main Frame.****8950- SGD 3"Stiles Alum Panels with Alum Outer Main Frame.**

<b>Configurations</b>	<b>Size</b>	<b>Width</b>	<b>Height</b>
<b>2P2T</b>	5068	59 1/2	79 1/2
<b>XO, OX</b>	6068	71 1/2	79 1/2
	8068	95 1/2	79 1/2
	5080	59 1/2	95 1/2
	6080	71 1/2	95 1/2
	8080	95 1/2	95 1/2
<b>2P2T</b>	5068	59 9/16	79 1/2
<b>XX</b>	6068	71 9/16	79 1/2
	8068	95 9/16	79 1/2
	5080	59 9/16	95 1/2
	6080	71 9/16	95 1/2
	8080	95 9/16	95 1/2
<b>3P2T</b>	9068	109 1/2	79 1/2
<b>OXO</b>	12068	145 1/2	79 1/2
	9080	109 1/2	95 1/2
	12080	145 1/2	95 1/2
<b>4P2T</b>	10068	119 1/16	79 1/2
<b>OXXO</b>	12068	143 1/16	79 1/2
	16068	191 1/16	79 1/2
	10080	119 1/16	95 1/2
	12080	143 1/16	95 1/2
	16080	191 1/16	95 1/2
<b>3P3T</b>	9068	105 1/16	79 1/2
<b>XXO</b>	12068	141 1/16	79 1/2
	9080	105 1/16	95 1/2
	12080	141 1/16	95 1/2
<b>6P3T</b>	15068	174 3/16	79 1/2
<b>OXXXXO</b>	18068	210 3/16	79 1/2
	24068	282 3/16	79 1/2
	15080	174 3/16	95 1/2
	18080	210 3/16	95 1/2
	24080	282 3/16	95 1/2
<b>4P4T</b>	10068	114 5/8	79 1/2
<b>XXXO</b>	12068	138 5/8	79 1/2
	16068	186 5/8	79 1/2
	10080	114 5/8	95 1/2
	12080	138 5/8	95 1/2
	16080	186 5/8	95 1/2
<b>8P4T</b>	20068	229 5/16	79 1/2
<b>OXXXXXXO</b>	24068	277 5/16	79 1/2
	32068	373 5/16	79 1/2
	20080	229 5/16	95 1/2
	24080	277 5/16	95 1/2
	32080	373 5/16	95 1/2



**8920- SGD PVC Panels with Alum Outer Main Frame.  
8950- SGD 3" Stiles Alum Panels with Alum Outer Main Frame.  
POCKET**

<b>Configurations</b>	<b>Size</b>	<b>Opening Width</b>	<b>Frame Width Overall</b>	<b>Height</b>
<b>2P2T</b>	5068	55 3/8	86 1/2	79 1/2
<b>PXX,XXP</b>	6068	67 3/8	104 1/2	79 1/2
	8068	91 3/8	140 1/2	79 1/2
	5080	55 3/8	86 1/2	95 1/2
	6080	67 3/8	104 1/2	95 1/2
	8080	91 3/8	140 1/2	95 1/2
<b>2P2T</b>	5068	55 11/16	117 15/16	79 1/2
<b>PXXP</b>	6068	67 11/16	141 15/16	79 1/2
	8068	91 11/16	189 15/16	79 1/2
	5080	55 11/16	117 15/16	95 1/2
	6080	67 11/16	141 15/16	95 1/2
	8080	91 11/16	189 15/16	95 1/2
<b>3P2T</b>	9068	100 15/16	138 1/16	79 1/2
<b>PXXX,XXXP</b>	12068	136 15/16	186 1/16	79 1/2
	9080	100 15/16	138 1/16	95 1/2
	12080	136 15/16	186 1/16	95 1/2
<b>4P2T</b>	10068	110 13/16	173 1/16	79 1/2
<b>POXXOP</b>	12068	134 13/16	209 1/16	79 1/2
	16068	182 13/16	281 1/16	79 1/2
	10080	110 13/16	173 1/16	95 1/2
	12080	134 13/16	209 1/16	95 1/2
	16080	182 13/16	281 1/16	95 1/2
<b>6P3T</b>	15068	165 15/16	228 3/16	79 1/2
<b>PXXXXXXP</b>	18068	201 15/16	276 3/16	79 1/2
	24068	273 15/16	372 3/16	79 1/2
	15080	165 15/16	228 3/16	95 1/2
	18080	201 15/16	276 3/16	95 1/2
	24080	273 15/16	372 3/16	95 1/2
<b>4P4T</b>	10068	110 1/2	141 5/8	79 1/2
<b>PXXXX,XXXXP</b>	12068	134 1/2	171 5/8	79 1/2
	16068	182 1/2	231 5/8	79 1/2
	10080	110 1/2	141 5/8	95 1/2
	12080	134 1/2	171 5/8	95 1/2
	16080	182 1/2	231 5/8	95 1/2
<b>8P4T</b>	20068	221 1/16	283 5/16	79 1/2
<b>PXXXXXXXXXP</b>	24068	269 1/16	343 5/16	79 1/2
	32068	365 1/16	463 5/16	79 1/2
	20080	221 1/16	283 5/16	95 1/2
	24080	269 1/16	343 5/16	95 1/2
	32080	365 1/16	463 5/16	95 1/2

## 8960- SGD ALUM 5" Stiles Panels with Alum Outer Main Frame.

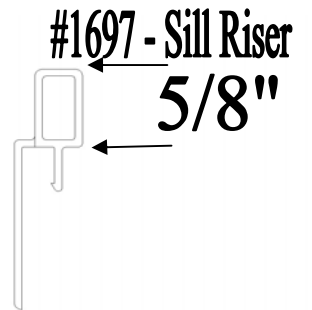
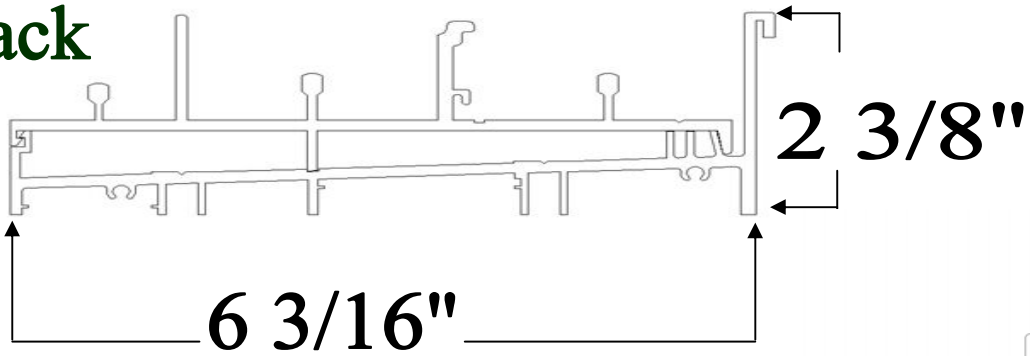
<b>Configurations</b>	<b>Size</b>	<b>Width</b>	<b>Height</b>	<b>Size</b>	<b>Width</b>	<b>Height</b>
<b>2P2T</b>	5068	59 1/2	79 1/2	5090	59 1/2	107 1/2
<b>XO, OX</b>	6068	71 1/2	79 1/2	6090	71 1/2	107 1/2
	8068	95 1/2	79 1/2	8090	95 1/2	107 1/2
	5080	59 1/2	95 1/2	50100	59 1/2	119 1/2
	6080	71 1/2	95 1/2	60100	71 1/2	119 1/2
	8080	95 1/2	95 1/2	80100	95 1/2	119 1/2
<b>2P2T</b>	5068	59 9/16	79 1/2	5090	59 9/16	107 1/2
<b>XX</b>	6068	71 9/16	79 1/2	6090	71 9/16	107 1/2
	8068	95 9/16	79 1/2	8090	95 9/16	107 1/2
	5080	59 9/16	95 1/2	50100	59 9/16	119 1/2
	6080	71 9/16	95 1/2	60100	71 9/16	119 1/2
	8080	95 9/16	95 1/2	80100	95 9/16	119 1/2
<b>3P2T</b>	9068	109 1/2	79 1/2	9090	109 1/2	107 1/2
<b>OXO</b>	12068	145 1/2	79 1/2	12090	145 1/2	107 1/2
	9080	109 1/2	95 1/2	90100	109 1/2	119 1/2
	12080	145 1/2	95 1/2	120100	145 1/2	119 1/2
<b>4P2T</b>	10068	119 1/16	79 1/2	10090	119 1/16	107 1/2
<b>OXXO</b>	12068	143 1/16	79 1/2	12090	143 1/16	107 1/2
	16068	191 1/16	79 1/2	16090	191 1/16	107 1/2
	10080	119 1/16	95 1/2	100100	119 1/16	119 1/2
	12080	143 1/16	95 1/2	120100	143 1/16	119 1/2
	16080	191 1/16	95 1/2	160100	191 1/16	119 1/2
<b>3P3T</b>	9068	105 1/16	79 1/2	9090	105 1/16	107 1/2
<b>XXO</b>	12068	141 1/16	79 1/2	12090	141 1/16	107 1/2
	9080	105 1/16	95 1/2	90100	105 1/16	119 1/2
	12080	141 1/16	95 1/2	120100	141 1/16	119 1/2
<b>6P3T</b>	15068	174 3/16	79 1/2	15090	174 3/16	107 1/2
<b>OXXXXO</b>	18068	210 3/16	79 1/2	18090	210 3/16	107 1/2
	24068	282 3/16	79 1/2	24090	282 3/16	107 1/2
	15080	174 3/16	95 1/2	150100	174 3/16	119 1/2
	18080	210 3/16	95 1/2	180100	210 3/16	119 1/2
	24080	282 3/16	95 1/2	240100	282 3/16	119 1/2
<b>4P4T</b>	10068	114 5/8	79 1/2	10090	114 5/8	107 1/2
<b>XXXO</b>	12068	138 5/8	79 1/2	12090	138 5/8	107 1/2
	16068	186 5/8	79 1/2	16090	186 5/8	107 1/2
	10080	114 5/8	95 1/2	100100	114 5/8	119 1/2
	12080	138 5/8	95 1/2	120100	138 5/8	119 1/2
	16080	186 5/8	95 1/2	160100	186 5/8	119 1/2
<b>8P4T</b>	20068	229 5/16	79 1/2	20090	229 5/16	107 1/2
<b>OXXXXXXO</b>	24068	277 5/16	79 1/2	24090	277 5/16	107 1/2
	32068	373 5/16	79 1/2	32090	373 5/16	107 1/2
	20080	229 5/16	95 1/2	200100	229 5/16	119 1/2
	24080	277 5/16	95 1/2	240100	277 5/16	119 1/2
	32080	373 5/16	95 1/2	320100	373 5/16	119 1/2

## 8960- SGD ALUM 5" Stiles Panels with Alum Outer Main Frame Pocket

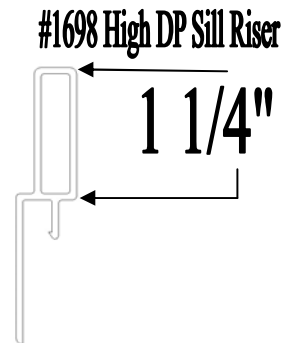
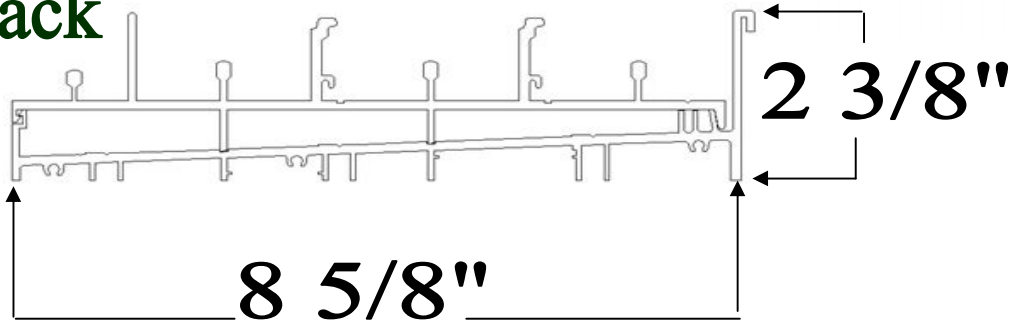
Configurations	Size	Width	Frame Width	Height	Size	Width	Frame Width	Height
<b>2P2T</b>	5068	55 3/8	86 1/2	79 1/2	5090	55 3/8	86 1/2	107 1/2
<b>PXX,XXP</b>	6068	67 3/8	104 1/2	79 1/2	6090	67 3/8	104 1/2	107 1/2
	8068	91 3/8	140 1/2	79 1/2	8090	91 3/8	140 1/2	107 1/2
	5080	55 3/8	86 1/2	95 1/2	50100	55 3/8	86 1/2	119 1/2
	6080	67 3/8	104 1/2	95 1/2	60100	67 3/8	104 1/2	119 1/2
	8080	91 3/8	140 1/2	95 1/2	80100	91 3/8	140 1/2	119 1/2
<b>2P2T</b>	5068	55 11/16	117 15/16	79 1/2	5090	55 11/16	117 15/16	107 1/2
<b>PXXP</b>	6068	67 11/16	141 15/16	79 1/2	6090	67 11/16	141 15/16	107 1/2
	8068	91 11/16	189 15/16	79 1/2	8090	91 11/16	189 15/16	107 1/2
	5080	55 11/16	117 15/16	95 1/2	50100	55 11/16	117 15/16	119 1/2
	6080	67 11/16	141 15/16	95 1/2	60100	67 11/16	141 15/16	119 1/2
	8080	91 11/16	189 15/16	95 1/2	80100	91 11/16	189 15/16	119 1/2
<b>3P2T</b>	9068	100 15/16	138 1/16	79 1/2	9090	100 15/16	138 1/16	107 1/2
<b>PXXX,XXXP</b>	12068	136 15/16	186 1/16	79 1/2	12090	136 15/16	186 1/16	107 1/2
	9080	100 15/16	138 1/16	95 1/2	90100	100 15/16	138 1/16	119 1/2
	12080	136 15/16	186 1/16	95 1/2	120100	136 15/16	186 1/16	119 1/2
<b>4P2T</b>	10068	110 13/16	173 1/16	79 1/2	10090	110 13/16	173 1/16	107 1/2
<b>PXXXXP</b>	12068	134 13/16	209 1/16	79 1/2	12090	134 13/16	209 1/16	107 1/2
	16068	182 13/16	281 1/16	79 1/2	16090	182 13/16	281 1/16	107 1/2
	10080	110 13/16	173 1/16	95 1/2	100100	110 13/16	173 1/16	119 1/2
	12080	134 13/16	209 1/16	95 1/2	120100	134 13/16	209 1/16	119 1/2
	16080	182 13/16	281 1/16	95 1/2	160100	182 13/16	281 1/16	119 1/2
<b>6P3T</b>	15068	165 15/16	228 3/16	79 1/2	15090	165 15/16	228 3/16	107 1/2
<b>PXXXXXP</b>	18068	201 15/16	276 3/16	79 1/2	18090	201 15/16	276 3/16	107 1/2
	24068	273 15/16	372 3/16	79 1/2	24090	273 15/16	372 3/16	107 1/2
	15080	165 15/16	228 3/16	95 1/2	150100	165 15/16	228 3/16	119 1/2
	18080	201 15/16	276 3/16	95 1/2	180100	201 15/16	276 3/16	119 1/2
	24080	273 15/16	372 3/16	95 1/2	240100	273 15/16	372 3/16	119 1/2
<b>4P4T</b>	10068	110 1/2	141 5/8	79 1/2	10090	110 1/2	141 5/8	107 1/2
<b>PXXXX,XXXXP</b>	12068	134 1/2	171 5/8	79 1/2	12090	134 1/2	171 5/8	107 1/2
	16068	182 1/2	231 5/8	79 1/2	16090	182 1/2	231 5/8	107 1/2
	10080	110 1/2	141 5/8	95 1/2	100100	110 1/2	141 5/8	119 1/2
	12080	134 1/2	171 5/8	95 1/2	120100	134 1/2	171 5/8	119 1/2
	16080	182 1/2	231 5/8	95 1/2	160100	182 1/2	231 5/8	119 1/2
<b>8P4T</b>	20068	221 1/16	283 5/16	79 1/2	20090	221 1/16	283 5/16	107 1/2
<b>PXXXXXXXP</b>	24068	269 1/16	343 5/16	79 1/2	24090	269 1/16	343 5/16	107 1/2
	32068	365 1/16	463 5/16	79 1/2	32090	365 1/16	463 5/16	107 1/2
	20080	221 1/16	283 5/16	95 1/2	200100	221 1/16	283 5/16	119 1/2
	24080	269 1/16	343 5/16	95 1/2	240100	269 1/16	343 5/16	119 1/2
	32080	365 1/16	463 5/16	95 1/2	320100	365 1/16	463 5/16	119 1/2

**8920-8950-8960 SGD Tracks**

**2Track**



**3Track**



**4Track**

