

SLIDING GLASS DOOR - LARGE MISSILE IMPACT

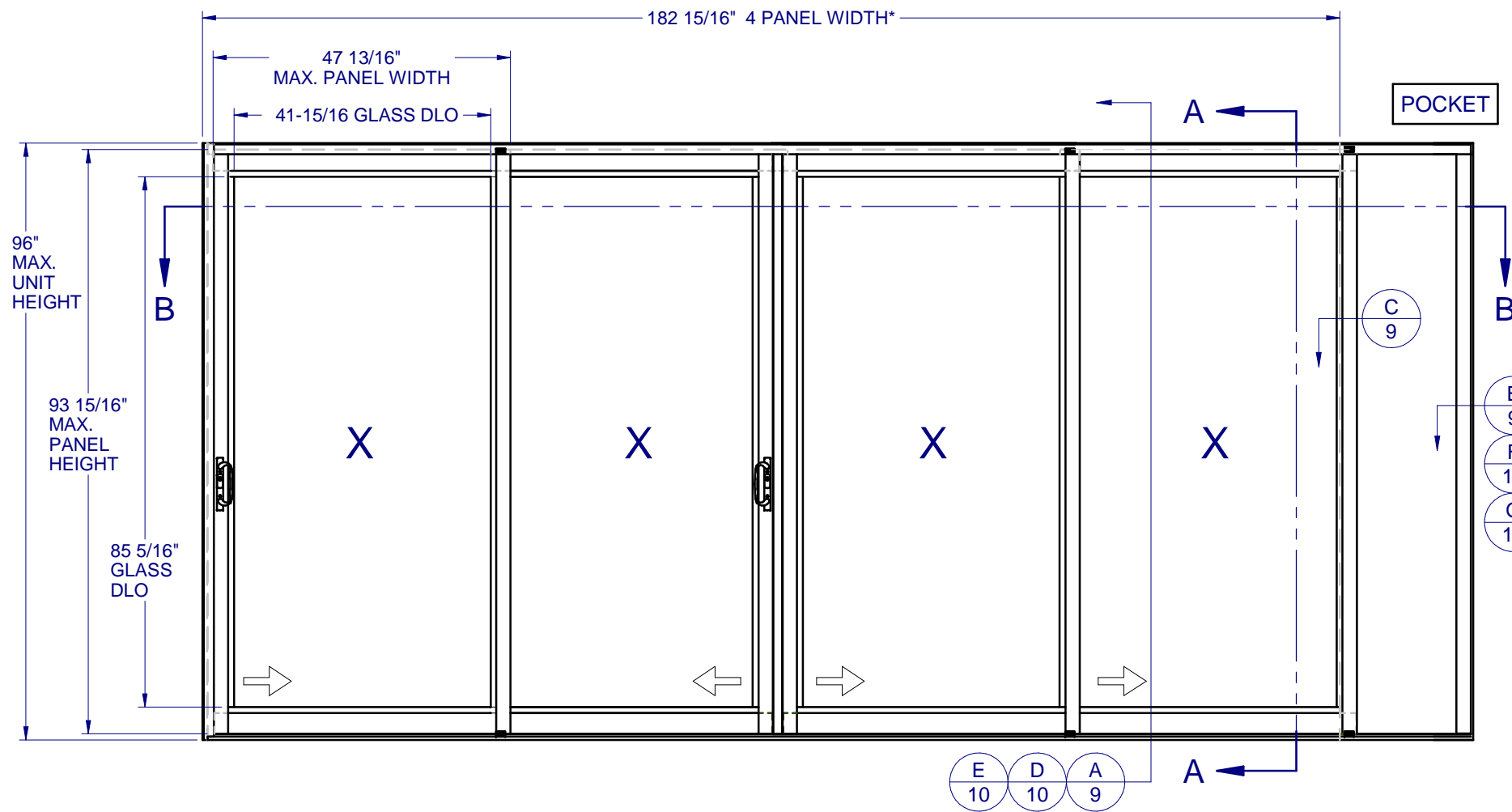
GENERAL NOTES:

1. THE PRODUCT SHOWN HEREIN IS DESIGNED AND MANUFACTURED TO COMPLY WITH THE FLORIDA BUILDING CODE (FBC), CURRENT EDITION AND IS RATED FOR USE IN THE HIGH VELOCITY HURRICANE ZONE (HVHZ) AND IS RATED FOR WIND ZONE 4 MISSILE LEVEL D IMPACT USE AS DEFINED IN ASTM E 1996 PER THE FBC.
2. GLAZING OPTIONS: (SEE SHEET 3)
3. APPROVED CONFIGURATIONS INCLUDE BUT ARE NOT LIMITED TO:
 "XO", "OX", "XX", "OXO", "XXX", "OXXO", "XXXX", "PX", "PXX", "PXXX", "PXXXX", "PXXP", "PXXXXP", "PXXXXXP"
 2 TRACK, 3 TRACK, 4 TRACK
4. DESIGN PRESSURE RATING:
 -NEGATIVE DESIGN LOADS BASED ON, TESTED PRESSURE AND GLASS TABLES ASTM E-1300-04.
 -POSITIVE DESIGN LOADS BASED ON, TESTED PRESSURE, WATER INFILTRATION TEST PRESSURE AND GLASS TABLES ASTM E-1300-04.
5. ANCHORAGE: THE 33 1/3% STRESS INCREASE HAS NOT BEEN USED IN THE DESIGN OF THIS PRODUCT. SEE SHEETS 9-10 FOR ANCHOR DETAILS. WINDLOAD DURATION FACTOR Cd=1.6 WAS USED FOR WOOD ANCHOR CALCULATIONS.
6. PRODUCT APPROVED FOR IMPACT USE. SHUTTERS ARE NOT REQUIRED.
7. ALL FRAMES AND VENTS ARE PROCESSED AND SCREWED TOGETHER.
8. SERIES / MODEL DESIGNATION SGD-3800.
9. THE DESIGNATION X AND O STAND FOR THE FOLLOWING:
 X = OPERABLE SASH, O = FIXED SASH, P = POCKET/HOOKSTRIP
10. SECTION CALLOUTS APPLY TO ALL CONFIGURATIONS IN A SIMILAR LOCATION.
11. WEEP SLOTS = 1/4" x 1-3/4" LOCATED 6" FROM BOTH ENDS.

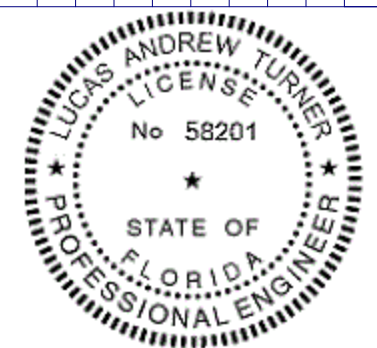


1900 SW 44TH AVE.
 Ocala, Florida 34474
 WWW.CWS.CC

3800 ALUM. SLIDING GLASS DOOR - IMPACT



NO.:	DESCRIPTION:	DATE:
A	REV'D GLAZING DETAIL	4/14/2016



ZZ
 4/28/2016

LUCAS A. TURNER, P.E.
 FL PE # 58201
 1239 JABARA AVE.
 NORTH PORT, FL 34288
 PH. 941-380-1574

MAX. PANEL SIZE	REINFORCEMENT	DESIGN PRESSURE RATING	IMPACT RATING
47-13/16" x 93-15/16"	N/A	+/-65 PSF	LARGE MISSILE IMPACT
	2096 INTERLOCK 2126 ASTRAGAL	+80/-95 PSF	

*(4) PANELS SHOWN; HVHZ LIMITED TO MAX. (9) PANELS. OUTSIDE HVHZ, UNLIMITED NUMBER OF PANELS IS ALLOWABLE AS LONG AS INDIVIDUAL PANELS DO NOT EXCEED PANEL SIZE AS SHOWN.

TABLE OF CONTENTS

- GENERAL NOTES & ELEVATIONS.....1
- SECTION VIEWS.....2
- BOM & GLAZING DETAIL.....3
- EXTRUSIONS.....4-5
- TRACK WIDTHS.....6
- ANCHOR SCHEDULE & NOTES.....7
- ANCHOR PATTERNS (STAGGER).....8
- INSTALLATION DETAILS.....9-10

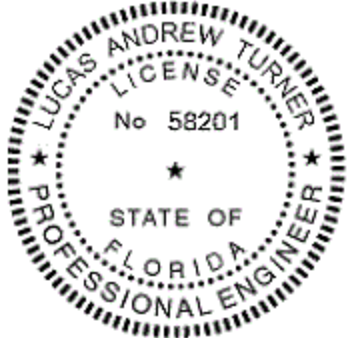
SHEET DESCRIPTION:

GENERAL NOTES AND ELEVATIONS

DRAWN BY: EMK	DATE: 03/31/16
DWG #: CWS-1156	REV.: -
SCALE: 1:25	SHEET 1 OF 10

**3800 ALUM.
SLIDING GLASS
DOOR - IMPACT**

			4/14/2016	DATE:
			BLZ	BY:
			A	REV'D GLAZING DETAIL
			NO.	DESCRIPTION:
				REVISIONS

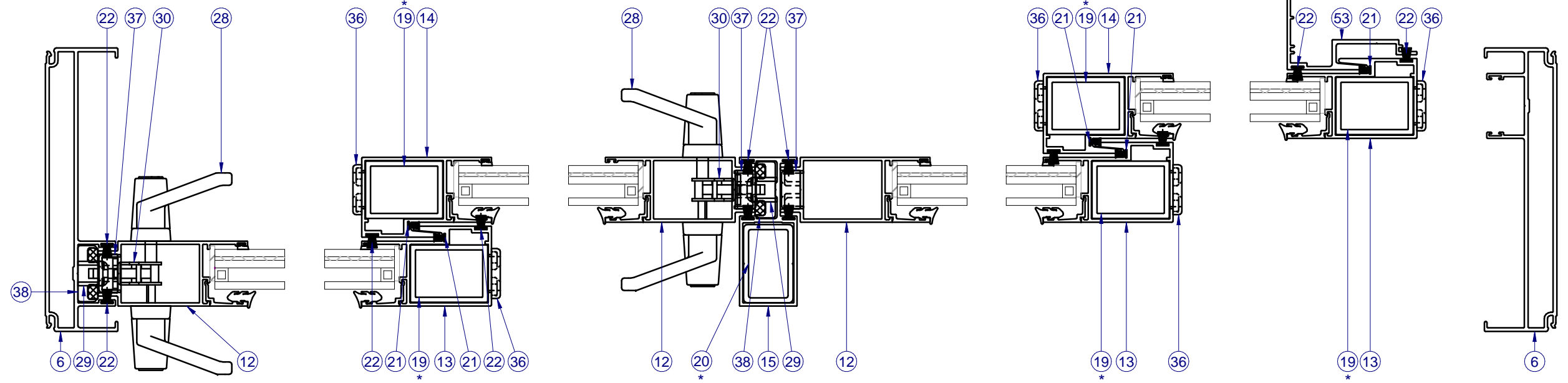


22
4/28/2016

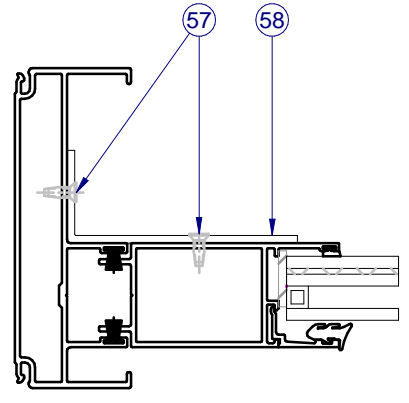
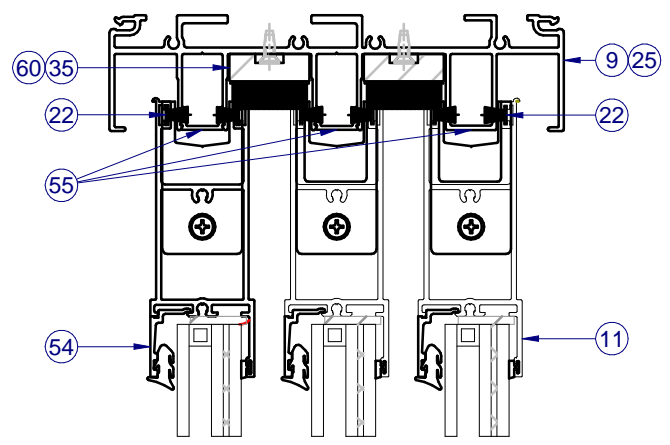
LUCAS A. TURNER, P.E.
FL PE # 58201
1239 JABARA AVE.
NORTH PORT, FL 34288
PH. 941-380-1574

SHEET DESCRIPTION:
SECTION VIEWS

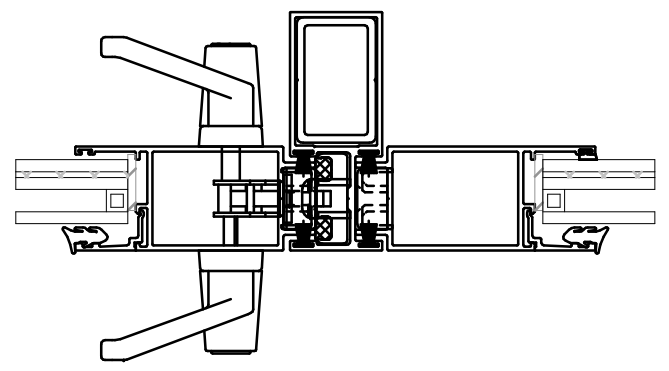
DRAWN BY:	DATE:
EMK	03/31/16
DWG #:	REV.:
CWS-1156	-
SCALE:	SHEET
4:1	2 OF 10



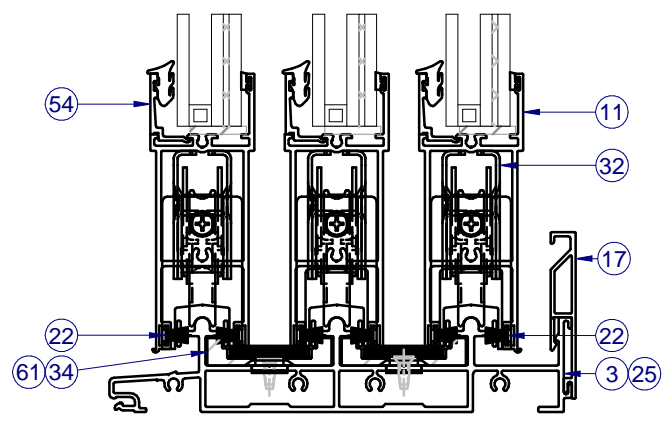
SECTION VIEW B-B



FIXED PANEL ATTACHMENT

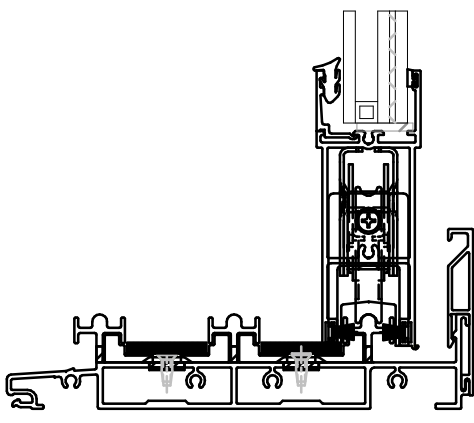


ASTRAGAL ORIENTATION
EXT. TRACK w/SCREEN

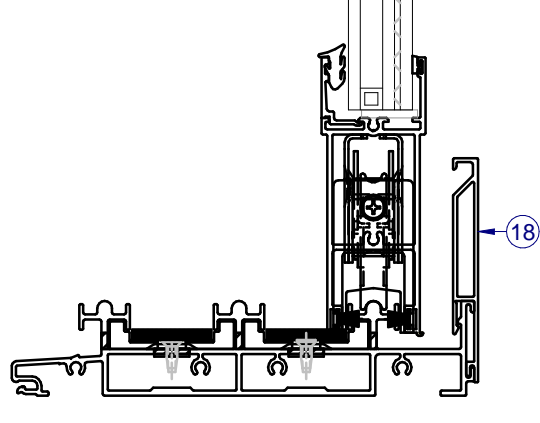


SECTION VIEW A-A
DP +/- 65

SILL RISER	DP
2094	65 psf
2095	80 psf



ALTERNATE SILL VIEW
SILL RISER - 2094



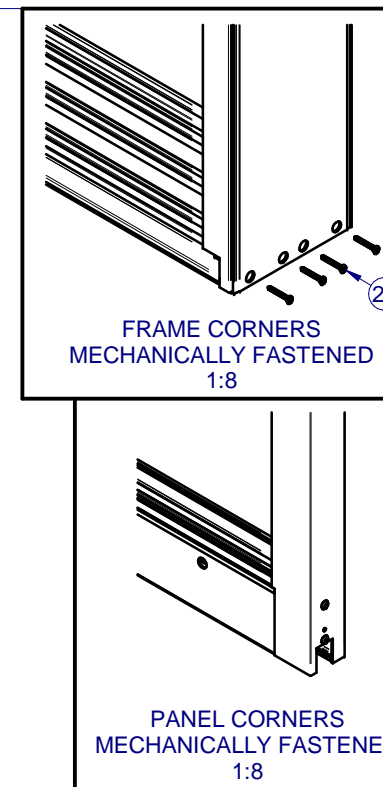
ALTERNATE SILL RISER VIEW
DP +80 / -95

ITEMS NOT SHOWN FOR CLARITY:
23-24, 26-27, 31, 33, 39-52, 56, 59, 62-63

- NOTES:
- 1) INSTALLATION W/NO SILL RISER ALLOWED TO THE FULL DP'S INDICATED ABOVE, IN LOCATIONS WHERE WATER INFILTRATION RESISTANCE IS NOT REQUIRED, SUCH AS BUT NOT LIMITED TO LOCATIONS WHERE AN OVERHANG IS PRESENT THAT IS AS WIDE AS THE WALL IS TALL.
 - 2) * INTERNAL REINFORCEMENT, H-2126 AND H-2096, REQUIRED ONLY ON UNITS WITH DP OVER +/-65 AND UNITS OVER 96 INCHES TALL.

PARTS LIST				
ITEM	PART #	DESCRIPTION	VENDOR	MATERIAL
1	GLASS	SEE THIS SHEET		
2	H-2076	2-Track Sill	Profile	Aluminum
3	H-2077	3-Track Sill	Profile	Aluminum
4	H-2078	4-Track Sill	Profile	Aluminum
5	H-2079	2-Track Jamb	Profile	Aluminum
6	H-2080	3-Track Jamb	Profile	Aluminum
7	H-2081	4-Track Jamb	Profile	Aluminum
8	H-2082	2-Track Head	Profile	Aluminum
9	H-2083	3-Track Head	Profile	Aluminum
10	H-2084	4-Track Head	Profile	Aluminum
11	H-2085	Top/Bottom Rail	Profile	Aluminum
12	H-2086	Lock Stile	Profile	Aluminum
13	H-2087	Interlock Stile - Exterior	Profile	Aluminum
14	H-2088	Interlock Stile - Interior	Profile	Aluminum
15	H-2089	Astragal	Profile	Aluminum
16	H-2091	LAMI Glazing Bead, 7/16"	Profile	Aluminum
17	H-2094	Sill Riser	Profile	Aluminum
18	H-2095	Sill Riser	Profile	Aluminum
19	H-2096	Reinforcement, Interlock	Profile	Aluminum
20	H-2126	Reinforcement, Astragal	Keymark	Aluminum
21	P-3300	Wtsp., 0.280" x 0.187" Back, Fin, Black	Ultrafab	
22	P-3308	Wtsp., 0.310" x 0.270" Back, Fin, Black	Ultrafab	
23	P-3438	Backbedding, Purfect Glaze "H" Hot Melt	Henkel/Sika	Silicone
24	P-3514	#8 x 1" Ph Truss Hd Type A SMS	Fastenal	Steel
25	P-5405	#10 x 1-1/4" PH PN Type A - Frame Assembly	Fastenal	Steel
26	P-3539	#8 x 3/4" PN SQ TEK - Roller Asm/Mortise Lock	Fastenal	Steel
27	P-3752	Hole Plug, 0.500" Dia.	Progress Plastics	Nylon
28	P-3789	Handle Set with Thumb Turn	Amesbury	
29	P-3792	Keeper	Amesbury	
30	P-3793	Multi-Point Mortise Lock	Amesbury	
31	P-4522	#10 x 1-1/4" PH PN SMS - Keeper	Fastenal	Steel
32	P-5287	Tandem Roller Assy, 2.125" Dia Wheel	Amesbury	
33	P-5438	Setting Blocks, 0.090" x 0.875" x 1.5"	Franke Lowe	Rubber
34	P-5480	Air Seal Bridge - Sill	M&M Plastics	Nylon
35	P-5481	Air Seal Bridge - Head	M&M Plastics	Nylon
36	P-5482	Panel Guide - Interlock Stile	M&M Plastics	Nylon
37	P-5483	Panel Guide - Lock Stile	M&M Plastics	Nylon
38	P-5484	Bumper/Panel Guide - Frame and Astragal	M&M Plastics	Nylon
39	P-5485	Offset Glazing Gasket	Team Plastics	Rubber
40	P-5486	Bumper/Panel Guide - Interlock		Rubber
41	P-5498	Glazing Bead Wedge Gasket	Team Plastics	Rubber
42	S-2099	Screen, Astragal	Keymark	Aluminum
43	S-2050	Screen, 1-Track Head	Keymark	Aluminum
44	H-2051	Screen, 1-Track Jamb	Keymark	Aluminum
45	S-2052	Screen, 1-Track Sill	Keymark	Aluminum
46	S-2053	Screen, 2-Track Head	Keymark	Aluminum
47	S-2054	Screen, 2-Track Jamb	Keymark	Aluminum
48	S-2055	Screen, 2-Track Sill	Keymark	Aluminum
49	S-2056	Screen, 3-Track Head	Keymark	Aluminum
50	S-2057	Screen, 3-Track Jamb	Keymark	Aluminum
51	S-2058	Screen, 3-Track Sill	Keymark	Aluminum
52	S-2059	Screen, Snap Cover	Keymark	Aluminum
54	S-2092	IG Glazing Bead, 1"	Profile	Aluminum

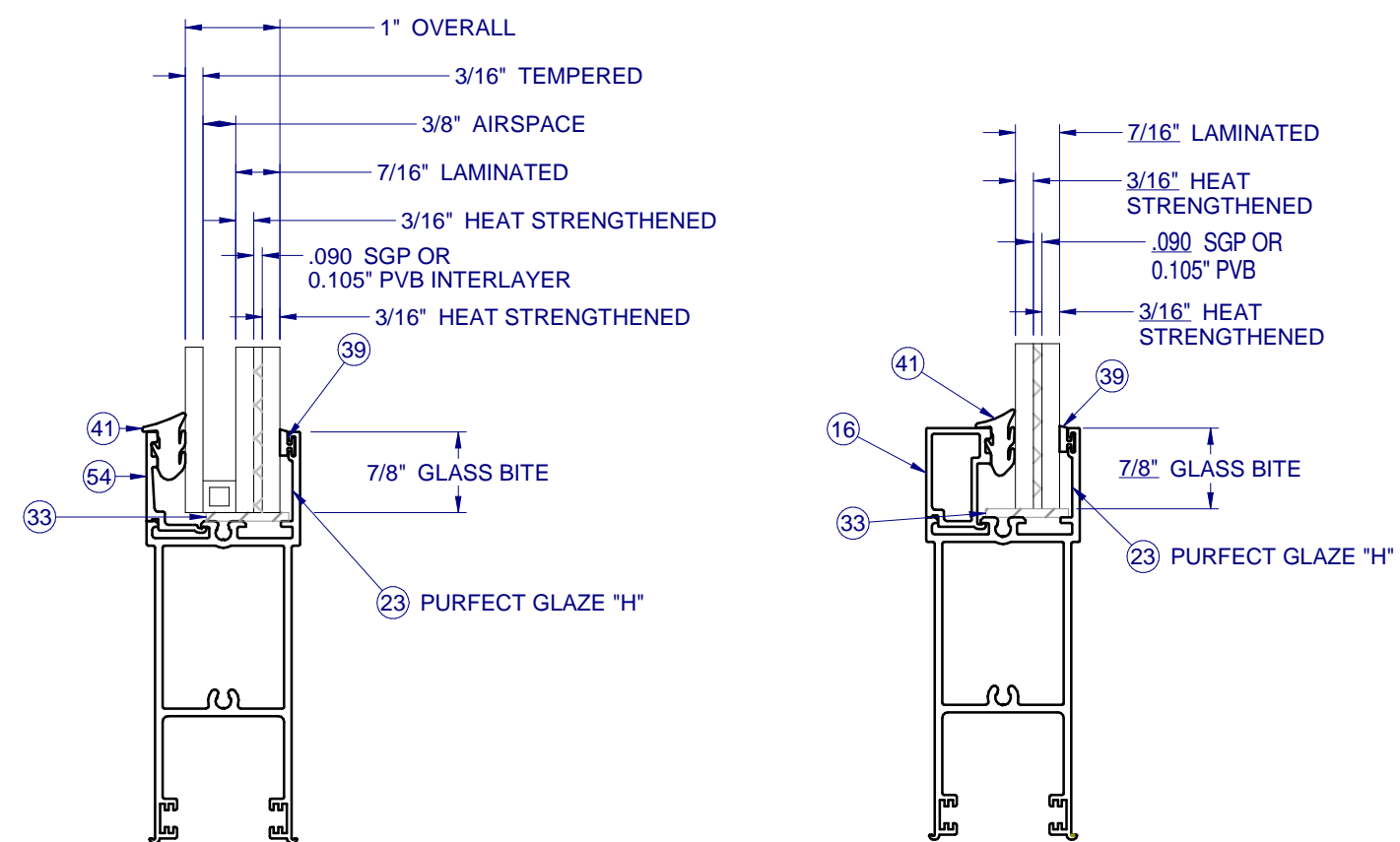
PARTS LIST				
ITEM	PART #	DESCRIPTION	VENDOR	MATERIAL
53	S-2090	Hook Strip	Profile	Aluminum
54	S-2092	IG Glazing Bead, 1"	Profile	Aluminum
55	S-2093	Track Filler - Head	Profile	Aluminum
56	S-2097	Screen, Interlock	Profile	Aluminum
57		Screw, Fixed Panel Clip to Panel	Fastenal	Steel
58		Fixed Panel Clip	Keymark	Aluminum
59		Gasket, Frame Assembly		
60		Dust Plug @ Head, 1-1/4" x 3-1/2" x 0.44" Tall, Fin	Ultrafab	
61		Dust Plug @ Sill, 1-3/16" x 3-1/2" x 0.44" Tall, Fin	Ultrafab	
62		Screen, Spline	Team Plastics	Rubber
63		Screen, Cloth		



Custom WINDOW SYSTEMS
 1900 SW 44TH AVE.
 OCALA, FLORIDA 34474
 WWW.CWS.CC

3800 ALUM. SLIDING GLASS DOOR - IMPACT

NO.:	DESCRIPTION:	BY:	DATE:
A	REV'D GLAZING DETAIL	EMK	4/14/2016



LUCAS ANDREW TURNER
 LICENSE No 58201
 STATE OF FLORIDA
 PROFESSIONAL ENGINEER
 22
 4/28/2016

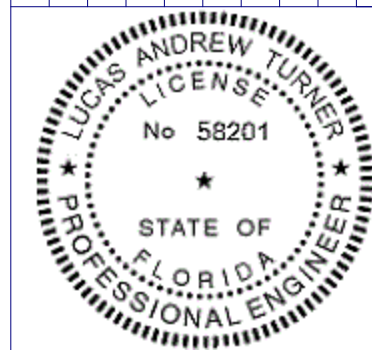
LUCAS A. TURNER, P.E.
 FL PE # 58201
 1239 JABARA AVE.
 NORTH PORT, FL 34288
 PH. 941-380-1574

SHEET DESCRIPTION: BOM AND GLAZING DETAIL	
DRAWN BY: EMK	DATE: 03/31/16
DWG #: CWS-1156	REV.: -
SCALE: 1:1	SHEET 3 OF 10

NOTE: ALL EXTRUSIONS ARE ALUMINUM 6063-T6 UNLESS OTHERWISE NOTED.

**3800 ALUM.
SLIDING GLASS
DOOR - IMPACT**

NO.	DESCRIPTION	BY	DATE
A	REV'D GLAZING DETAIL	BLZ	4/14/2016



22

4/28/2016

LUCAS A. TURNER, P.E.
FL PE # 58201
1239 JABARA AVE.
NORTH PORT, FL 34288
PH. 941-380-1574

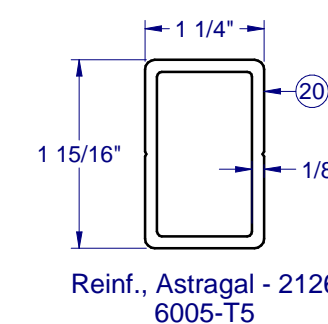
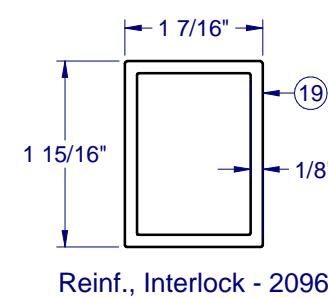
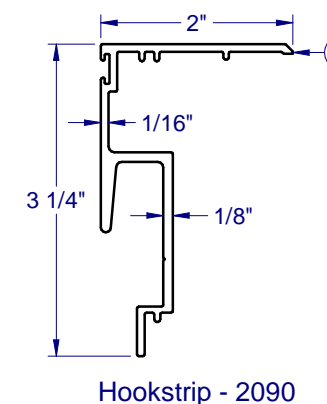
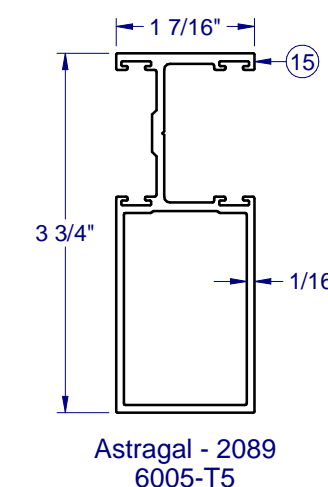
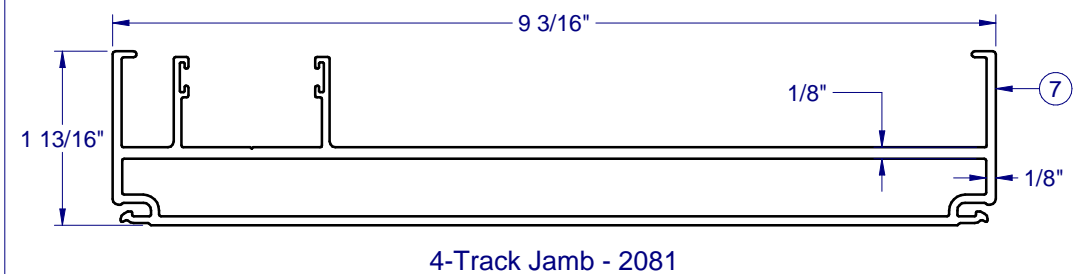
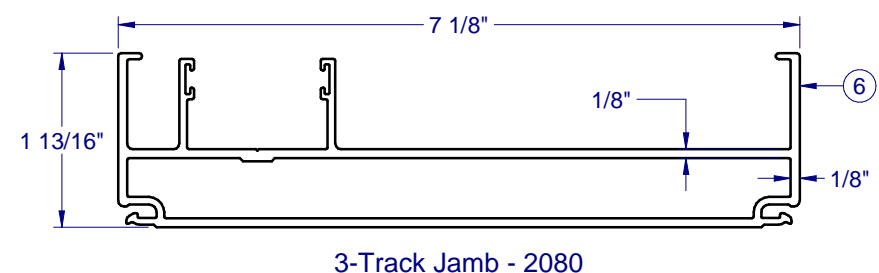
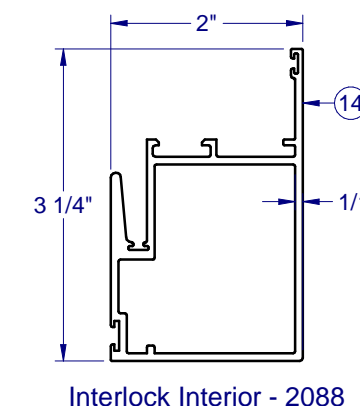
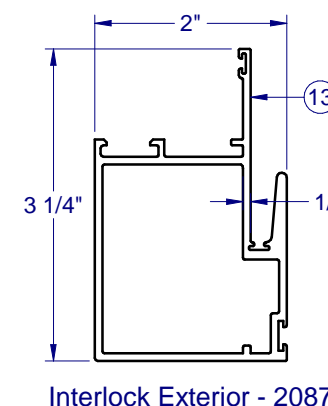
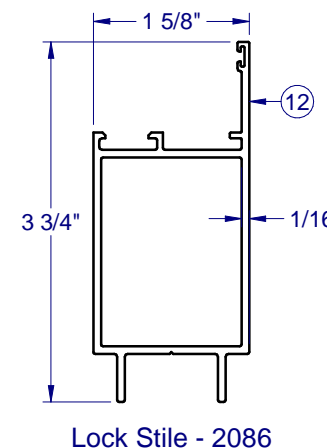
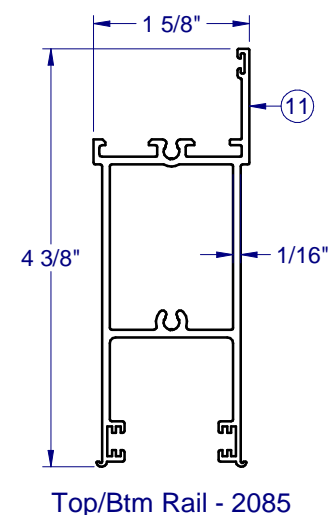
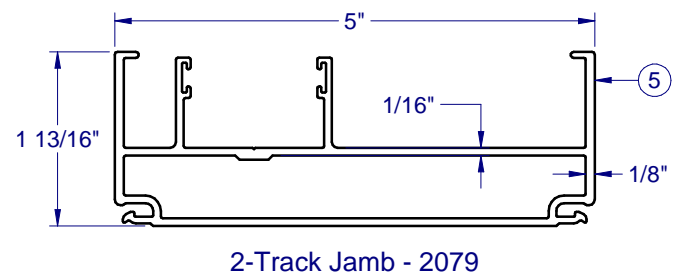
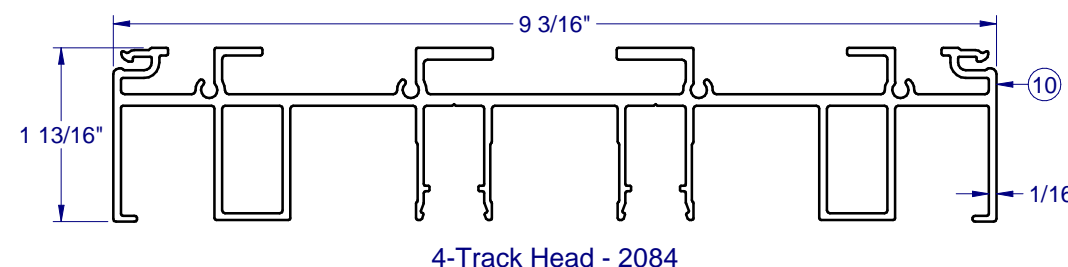
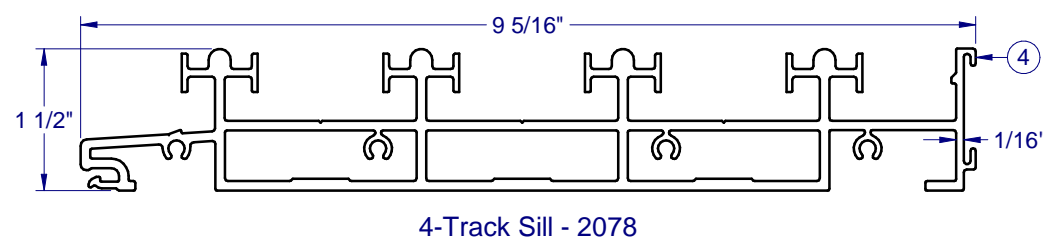
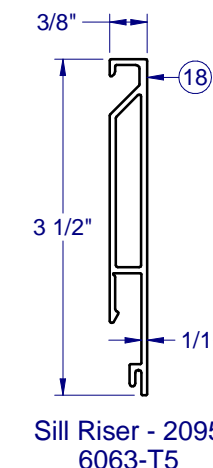
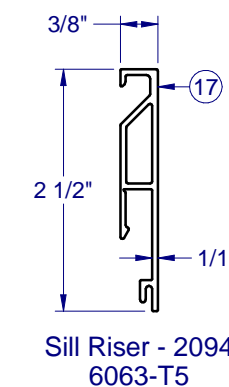
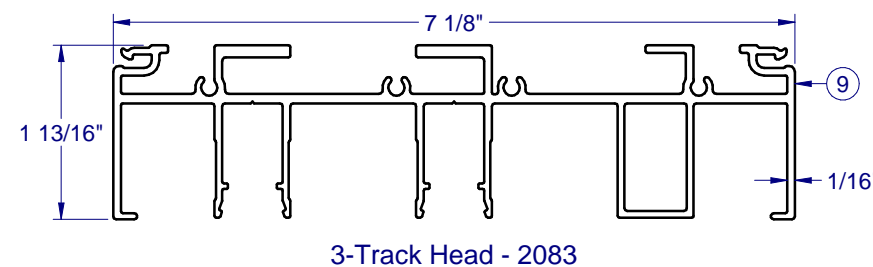
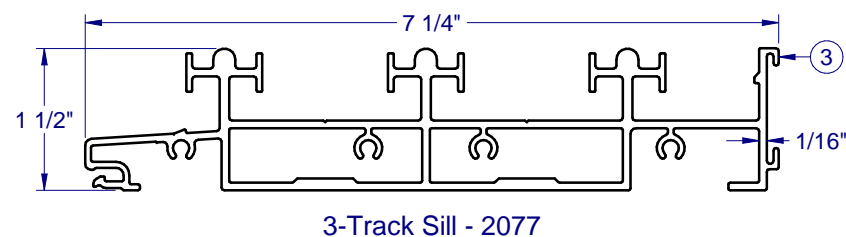
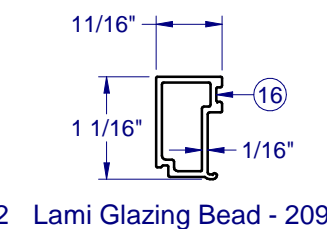
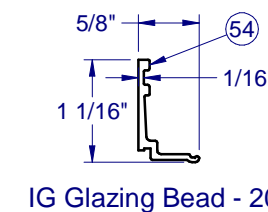
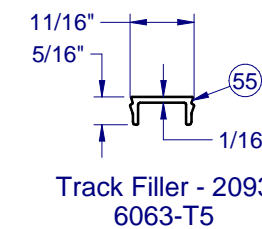
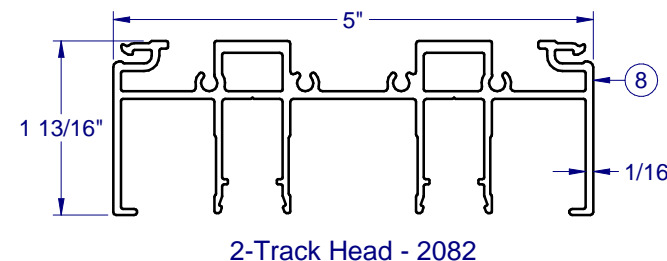
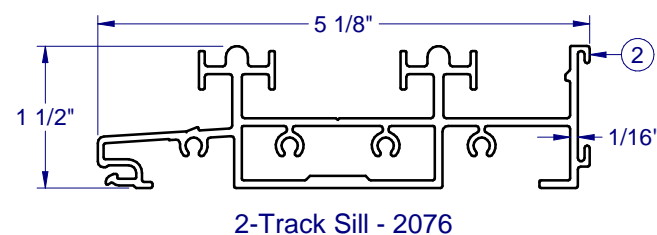
SHEET DESCRIPTION:

EXTRUSIONS

DRAWN BY: **EMK** DATE: **03/31/16**

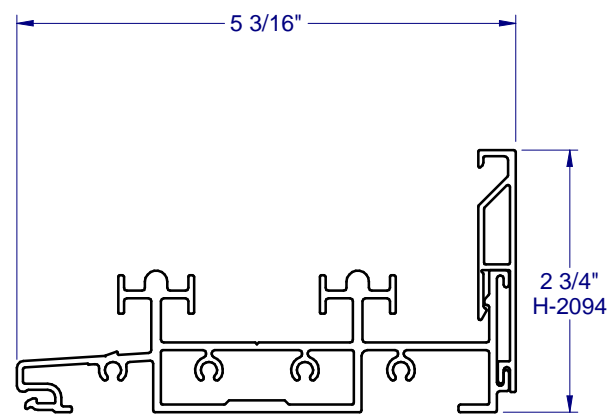
DWG #: **CWS-1156** REV.: **-**

SCALE: **1:2** SHEET **4 OF 10**

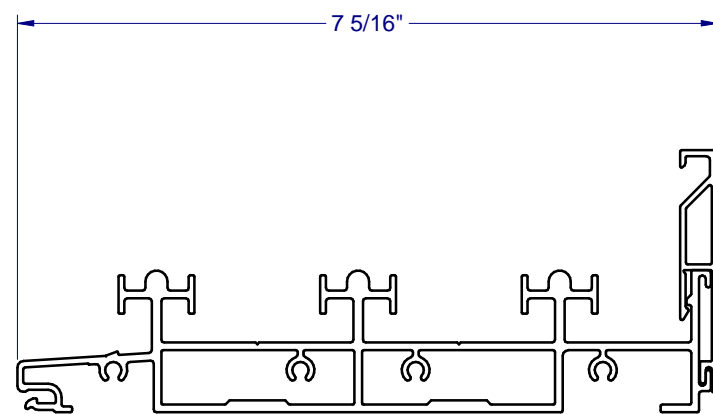


NOTE: ALL EXTRUSIONS ARE ALUMINUM 6063-T6 UNLESS OTHERWISE NOTED.

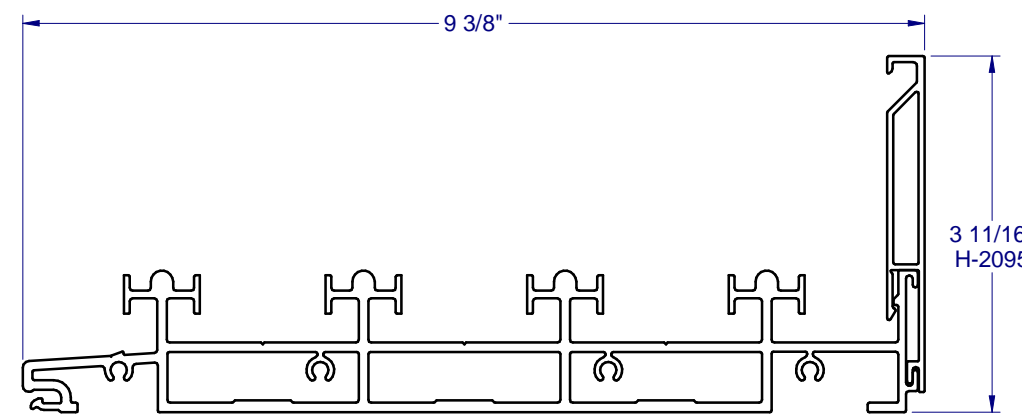
**3800 ALUM.
SLIDING GLASS
DOOR - IMPACT**



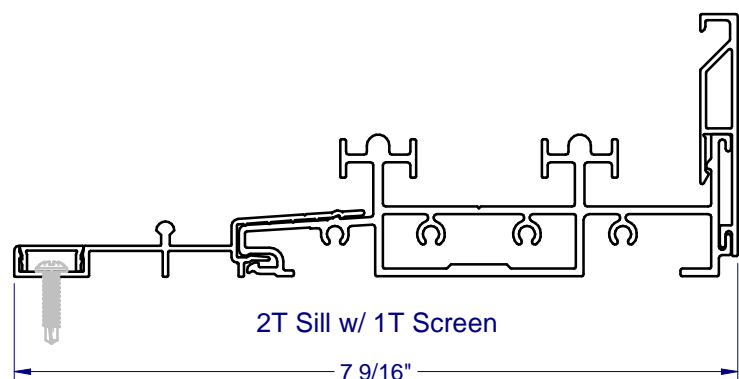
2T Sill w/Riser



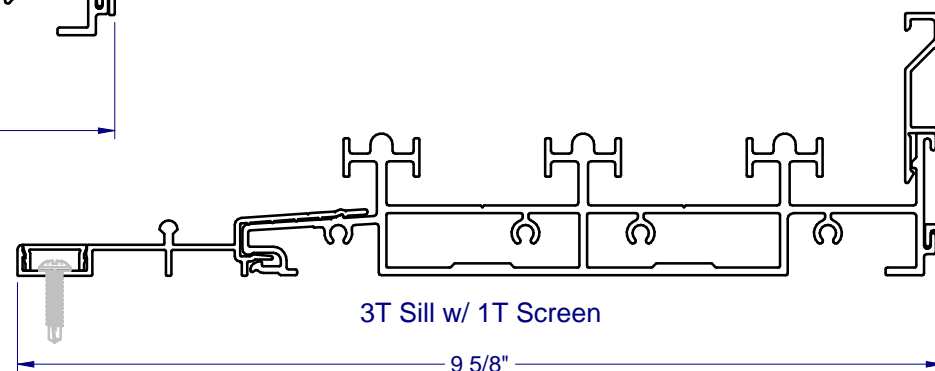
3T Sill w/Riser



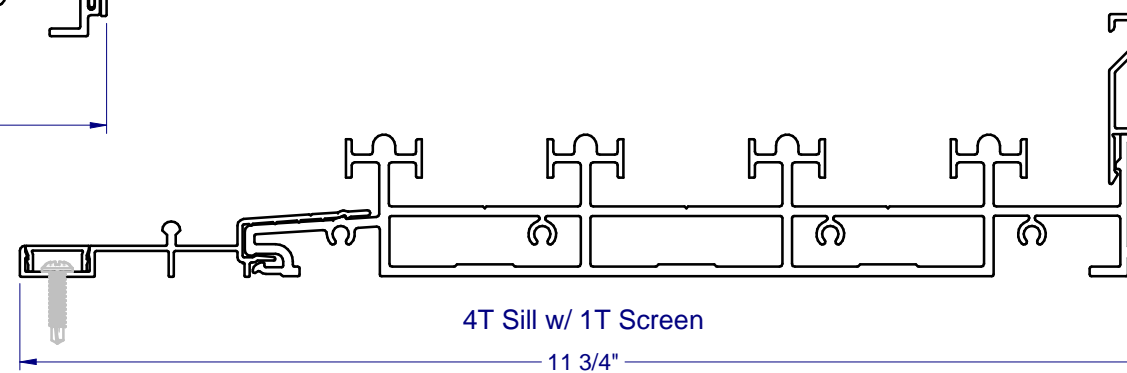
4T Sill w/Riser



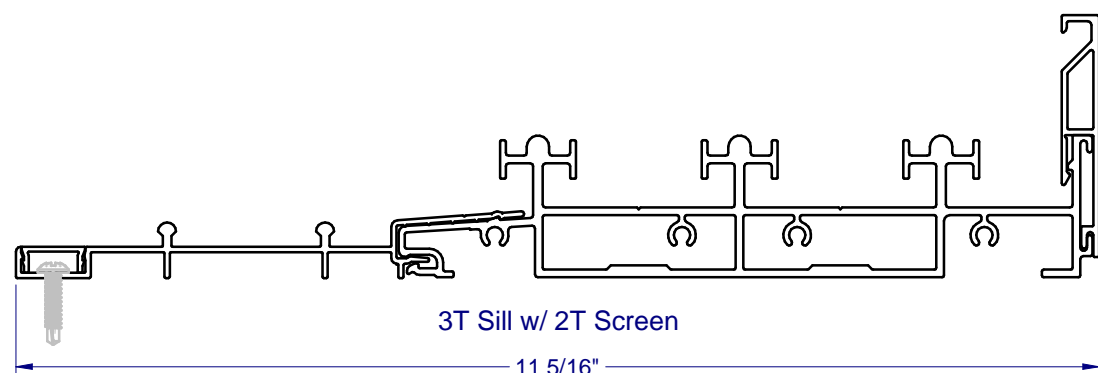
2T Sill w/ 1T Screen



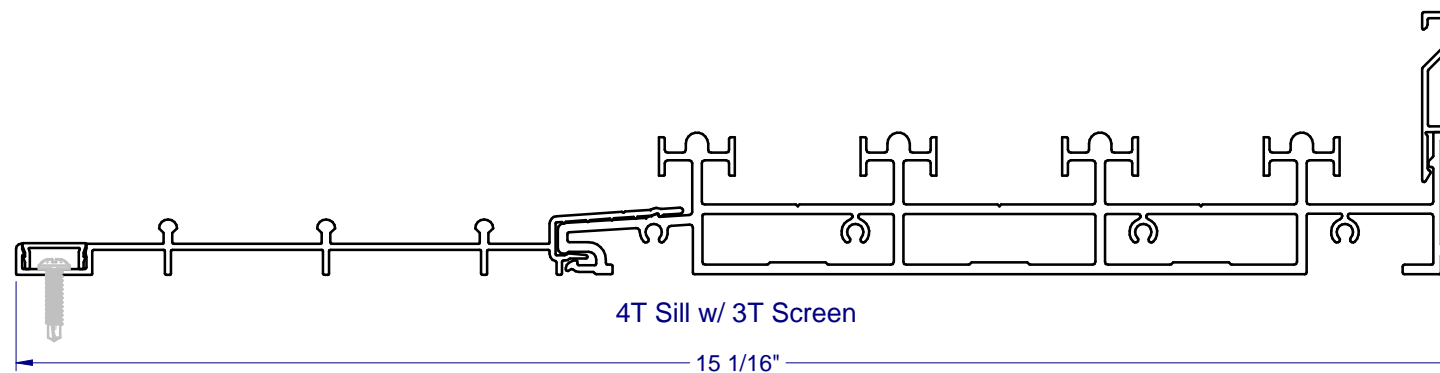
3T Sill w/ 1T Screen



4T Sill w/ 1T Screen



3T Sill w/ 2T Screen



4T Sill w/ 3T Screen

REVISIONS		DATE:
A	REVD GLAZING DETAIL	4/14/2016
NO.:	DESCRIPTION:	BY:

LT
4/28/2016

LUCAS A. TURNER, P.E.
FL PE # 58201
1239 JABARA AVE.
NORTH PORT, FL 34288
PH. 941-380-1574

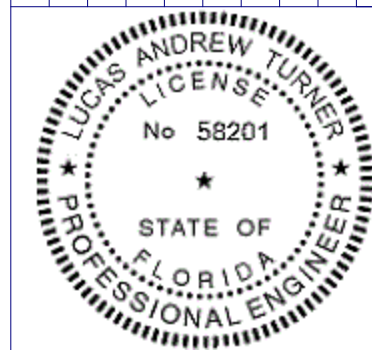
SHEET DESCRIPTION:
TRACK WIDTHS

DRAWN BY:	DATE:
EMK	03/31/16
DWG #:	REV.:
CWS-1156	-
SCALE:	SHEET
1:2	6 OF 10

**3800 ALUM.
SLIDING GLASS
DOOR - IMPACT**

NO.:	DESCRIPTION:	BLZ	DATE:
A	REV'D GLAZING DETAIL		4/14/2016

REVISIONS

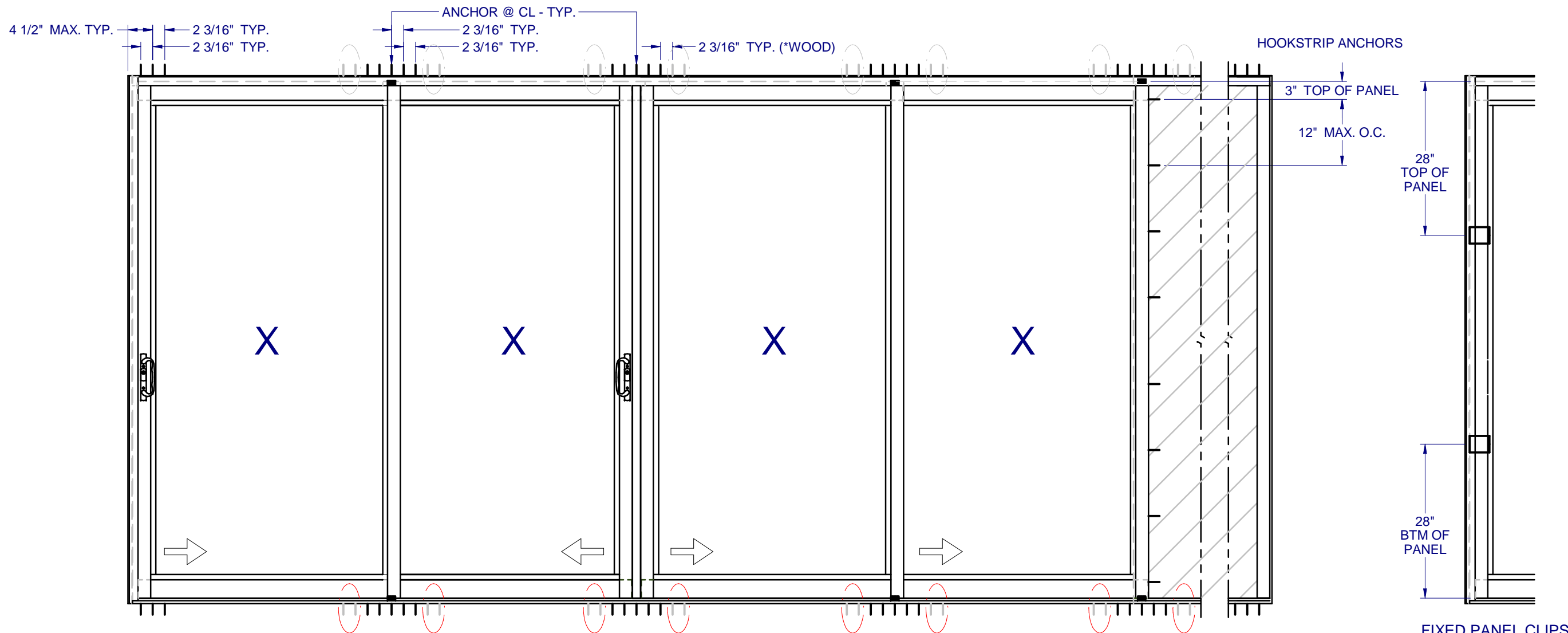


LT
4/28/2016

LUCAS A. TURNER, P.E.
FL PE # 58201
1239 JABARA AVE.
NORTH PORT, FL 34288
PH. 941-380-1574

SHEET DESCRIPTION:
**ANCHOR SCHEDULE AND
NOTES**

DRAWN BY: EMK	DATE: 03/31/16
DWG #: CWS-1156	REV.: -
SCALE: 1:40	SHEET 7 OF 10

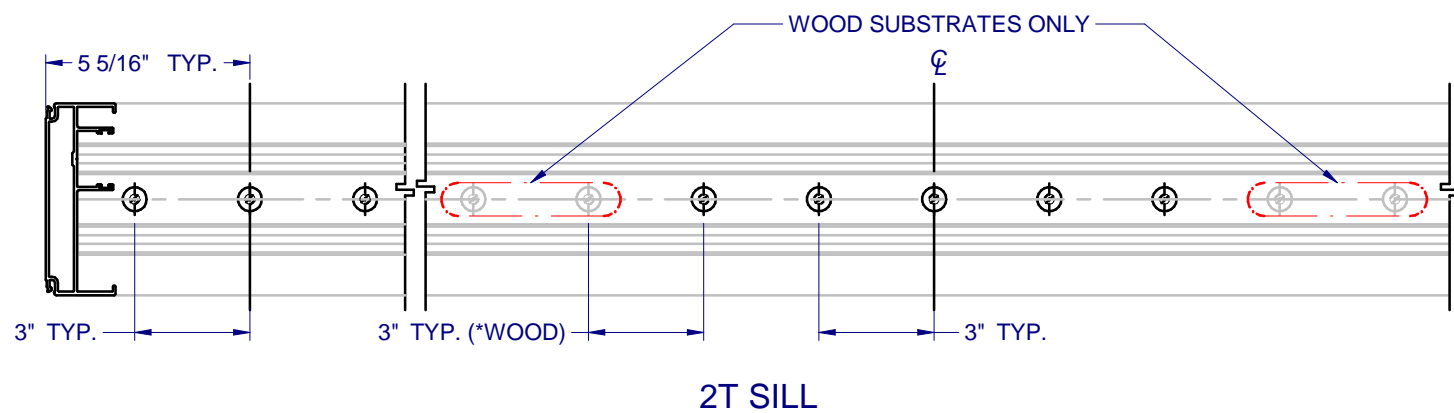


* CIRCLED ANCHOR LOCATIONS REQ'D ONLY IN WOOD INSTALLATIONS. (SEE NEXT SHEET FOR DETAIL)

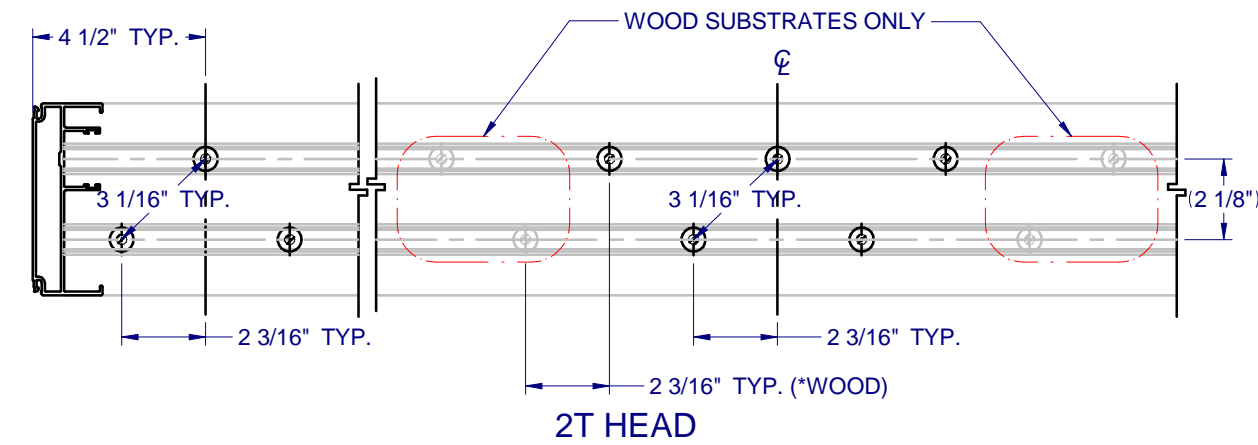
NOTES:

- INSTALL ONE ANCHOR AT EACH INSTALLATION LOCATION (SEE STAGGER DETAILS ON NEXT SHEET). SILL ANCHOR SPACING SAME AS HEAD FOR 3T AND 4T. INSTALL ONE ANCHOR AT EACH LOCATION IN HOOKSTRIP. SEE SPECIAL LOCATIONS AND SPACING FOR 2T SILL, NEXT PAGE.
- SHIM AS REQ AT EACH INSTALLATION ANCHOR USING LOAD BEARING SHIMS. MAX. ALLOWABLE SHIM STACK TO BE 1/4". USE SHIMS WHERE SPACE GREATER THAN 1/16" IS PRESENT. LOAD BEARING SHIMS SHALL BE CONSTRUCTED OF HIGH DENSITY PLASTIC OR BETTER. WOOD SHIMS ARE NOT ALLOWED.
- ANCHOR TYPE, SIZE, SPACING AND EMBEDMENT SHALL BE AS SPECIFIED IN THESE DRAWINGS, SEE TABLE 1, SHEET 9.
- ALL INSTALLATION ANCHORS MUST BE MADE OF OR PROTECTED WITH A CORROSION RESISTANT MATERIAL OR COATING. DISSIMILAR METALS OR MATERIALS IN CONTACT WITH PRESSURE TREATED WOOD MUST BE PROTECTED TO PREVENT REACTION.
- INSTALLATION ANCHORS SHALL BE IN ACCORDANCE WITH ANCHOR MANUFACTURER'S INSTALLATION INSTRUCTIONS, AND ANCHORS SHALL NOT BE USED IN SUBSTRATES WITH STRENGTHS LESS THAN THE MINIMUM SPECIFIED IN TABLE 1, SHEET 9.
- ANCHOR EMBEDMENT TO SUBSTRATE SHALL BE BEYOND WALL DRESSING OR STUCCO. FOR CONCRETE/CMU OPENINGS, EMBEDMENT SHALL BE BEYOND WOOD BUCKS, IF USED, INTO SUBSTRATE. INSTALLATIONS TO SOLID CONCRETE OR GROUT-FILLED CMU MAY INCLUDE BUT DO NOT REQUIRE 1X WOOD BUCKS BETWEEN THE PRODUCT AND SUBSTRATE. INSTALLATIONS TO HOLLOW CMU REQUIRE THE USE OF 1X BUCKS BETWEEN THE PRODUCT AND SUBSTRATE.
- A MINIMUM CENTER-TO-CENTER SPACING SHALL BE MAINTAINED BETWEEN ALL FASTENERS: 3" FOR SOLID CONCRETE, 6" FOR CMU MASONRY, 1" FOR WOOD AND METAL.
- WOOD OR MASONRY OPENINGS, BUCKS AND BUCK FASTENERS SHALL BE PROPERLY DESIGNED BY THE ARCHITECT OR ENGINEER OF RECORD AND INSTALLED TO TRANSFER WIND LOADS TO THE STRUCTURE. SUBSTRATES SHALL MEET THE MINIMUM STRENGTH REQUIREMENTS AS SHOWN IN TABLE 1, SHEET 9. CONCRETE AND MASONRY SUBSTRATES MAY NOT BE CRACKED.
- SEALING AND FLASHING STRATEGIES FOR OVERALL WATER RESISTANCE OF INSTALLATION SHALL BE DONE BY OTHERS FOLLOWING THE CURRENT VERSION OF THE REFERENCE DOCUMENTS: FMA/AAMA 100(FIN WINDOWS), FMA/AAMA 200(FLANGE WINDOWS), FMA/WDMA 250(BOX WINDOWS), FMA/AAMA/WDMA 300(EXTERIOR DOORS)

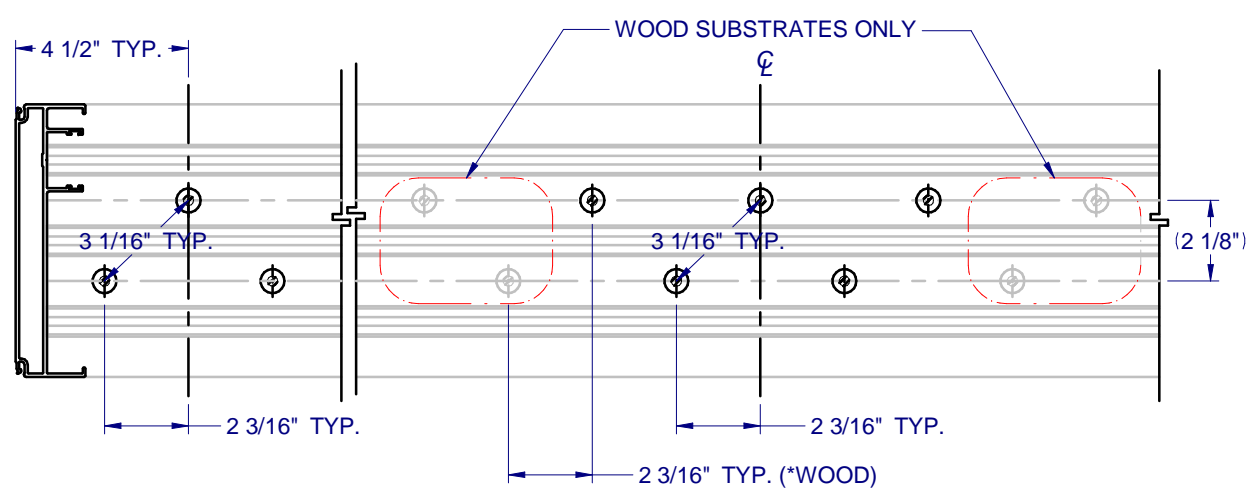
**3800 ALUM.
SLIDING GLASS
DOOR - IMPACT**



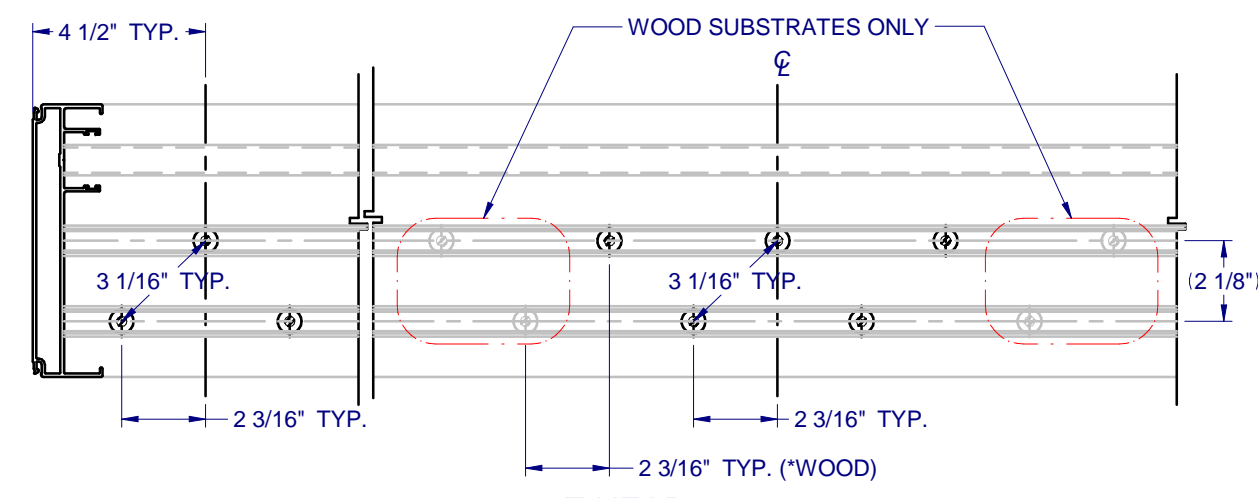
2T SILL



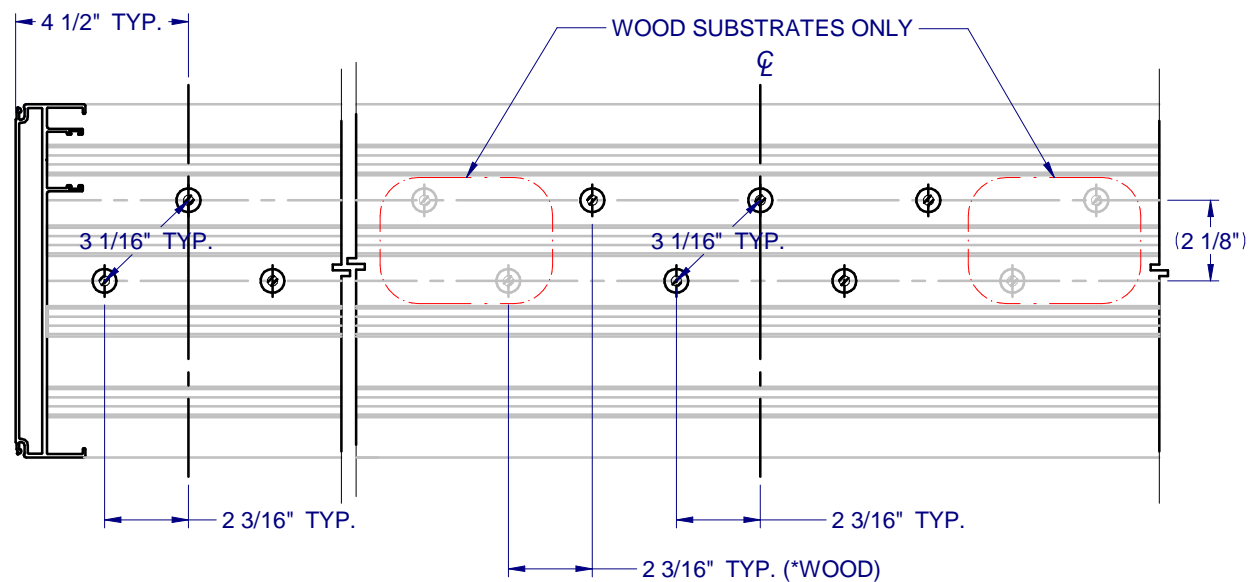
2T HEAD



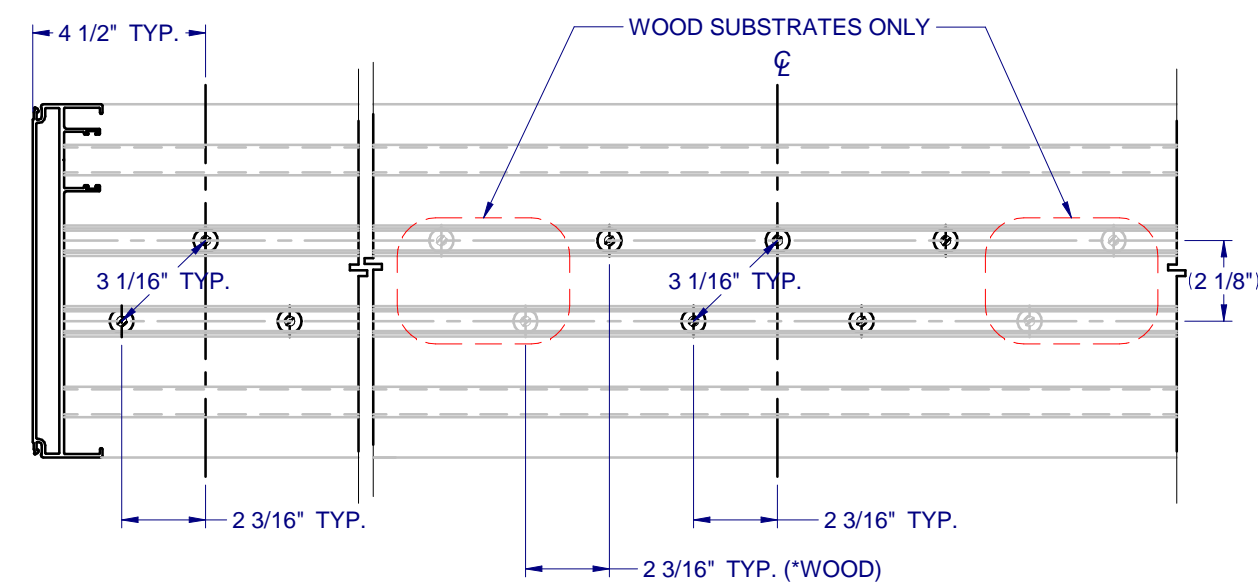
3T SILL



3T HEAD



4T SILL



4T HEAD

* CIRCLED ANCHOR LOCATIONS REQ'D ONLY IN WOOD INSTALLATIONS.

NOTE: CL = CENTERLINE OF INTERLOCK OR ASTRAGAL

NO.:	DESCRIPTION:	BY:	DATE:
A	REV'D GLAZING DETAIL	BLZ	4/14/2016

LT
4/28/2016

LUCAS A. TURNER, P.E.
FL PE # 58201
1239 JABARA AVE.
NORTH PORT, FL 34288
PH. 941-380-1574

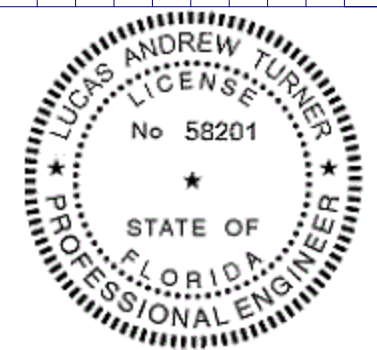
SHEET DESCRIPTION:
**ANCHOR PATTERNS
(STAGGER)**

DRAWN BY: EMK	DATE: 03/31/16
DWG #: CWS-1156	REV.: -
SCALE: 1:5	SHEET 8 OF 10

**3800 ALUM.
SLIDING GLASS
DOOR - IMPACT**

NO.	DESCRIPTION:	BY:	DATE:
A	REV'D GLAZING DETAIL	BLZ	4/14/2016

REVISIONS



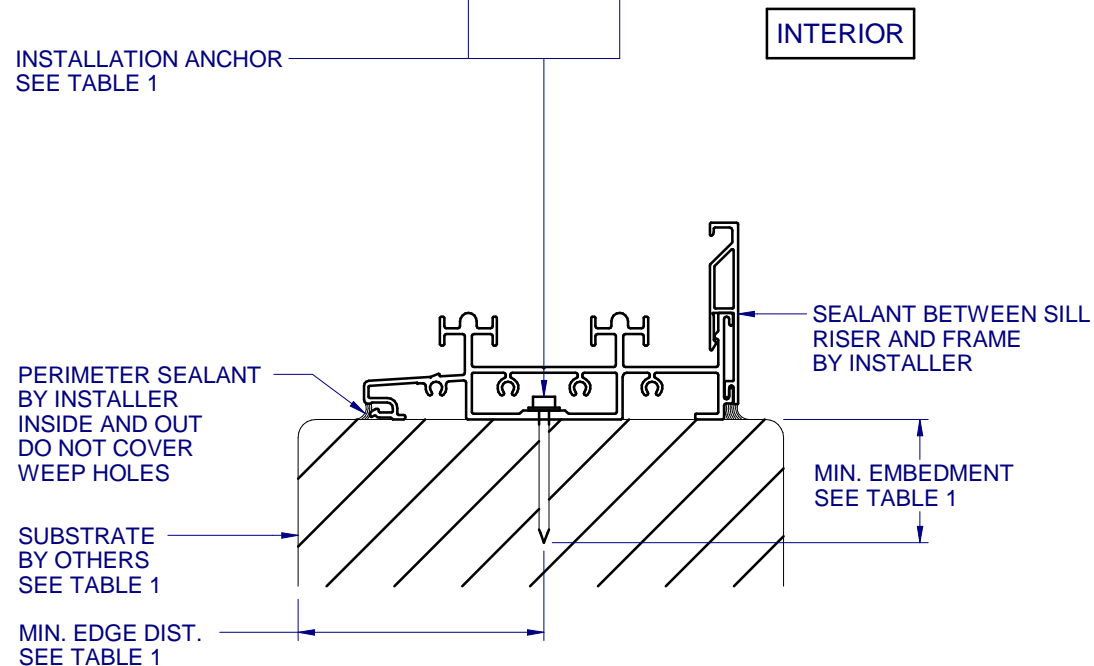
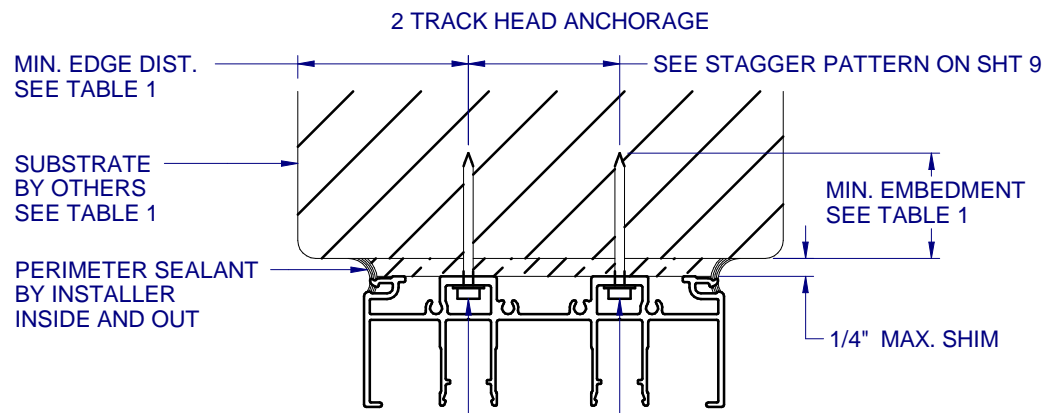
ZZ
4/28/2016

LUCAS A. TURNER, P.E.
FL PE # 58201
1239 JABARA AVE.
NORTH PORT, FL 34288
PH. 941-380-1574

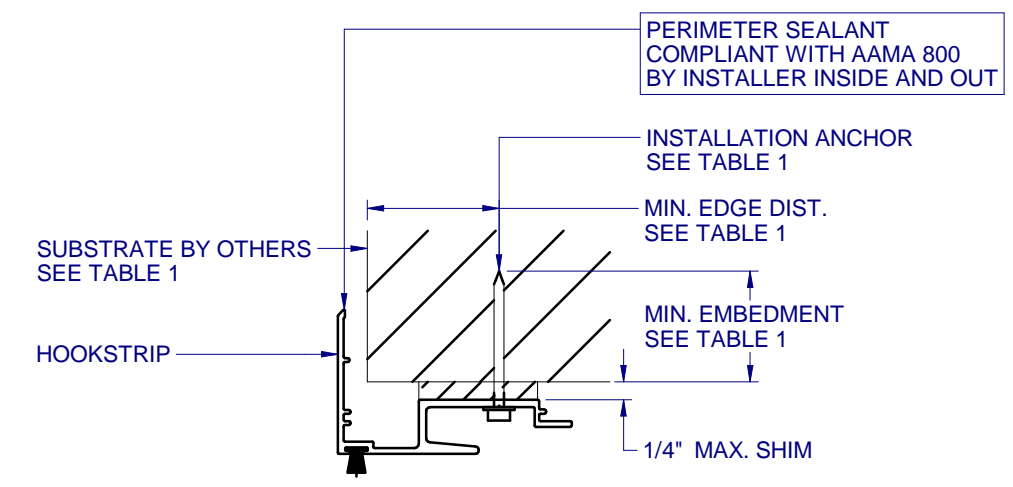
SHEET DESCRIPTION:

**INSTALLATION DETAILS
2 TRACK**

DRAWN BY: EMK	DATE: 03/31/16
DWG #: CWS-1156	REV.: -
SCALE: 1:2.67	SHEET 9 OF 10



B HORIZONTAL SECTION
9 2 TRACK JAMB ANCHORAGE

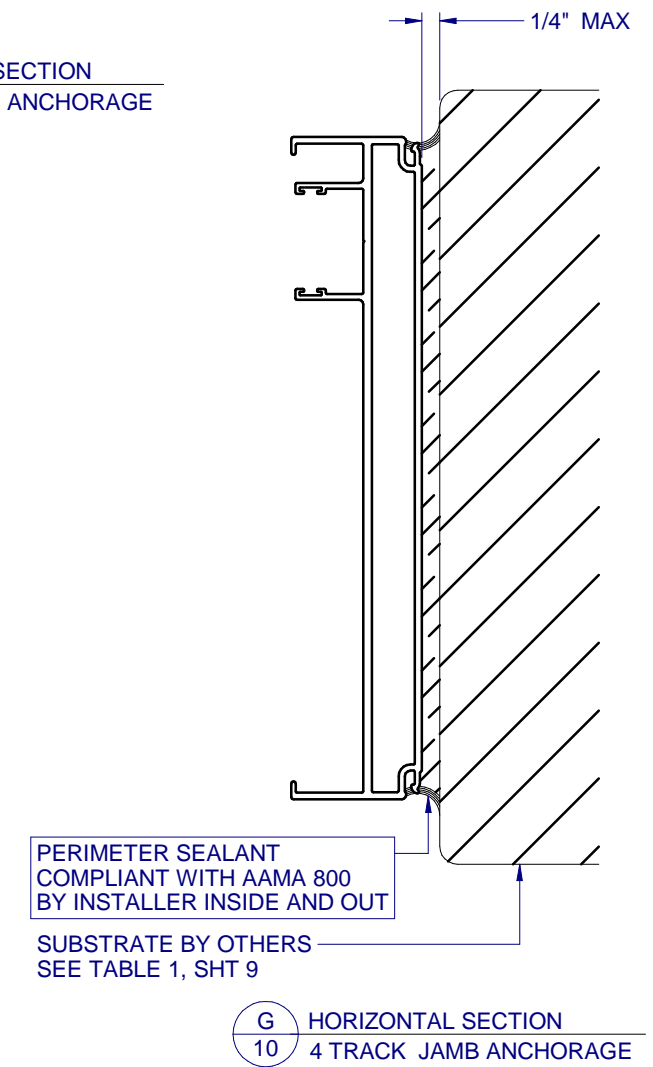
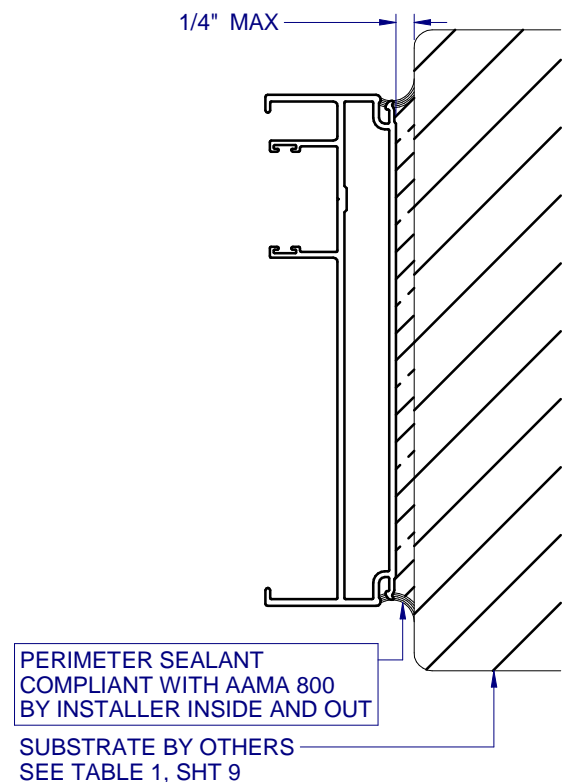
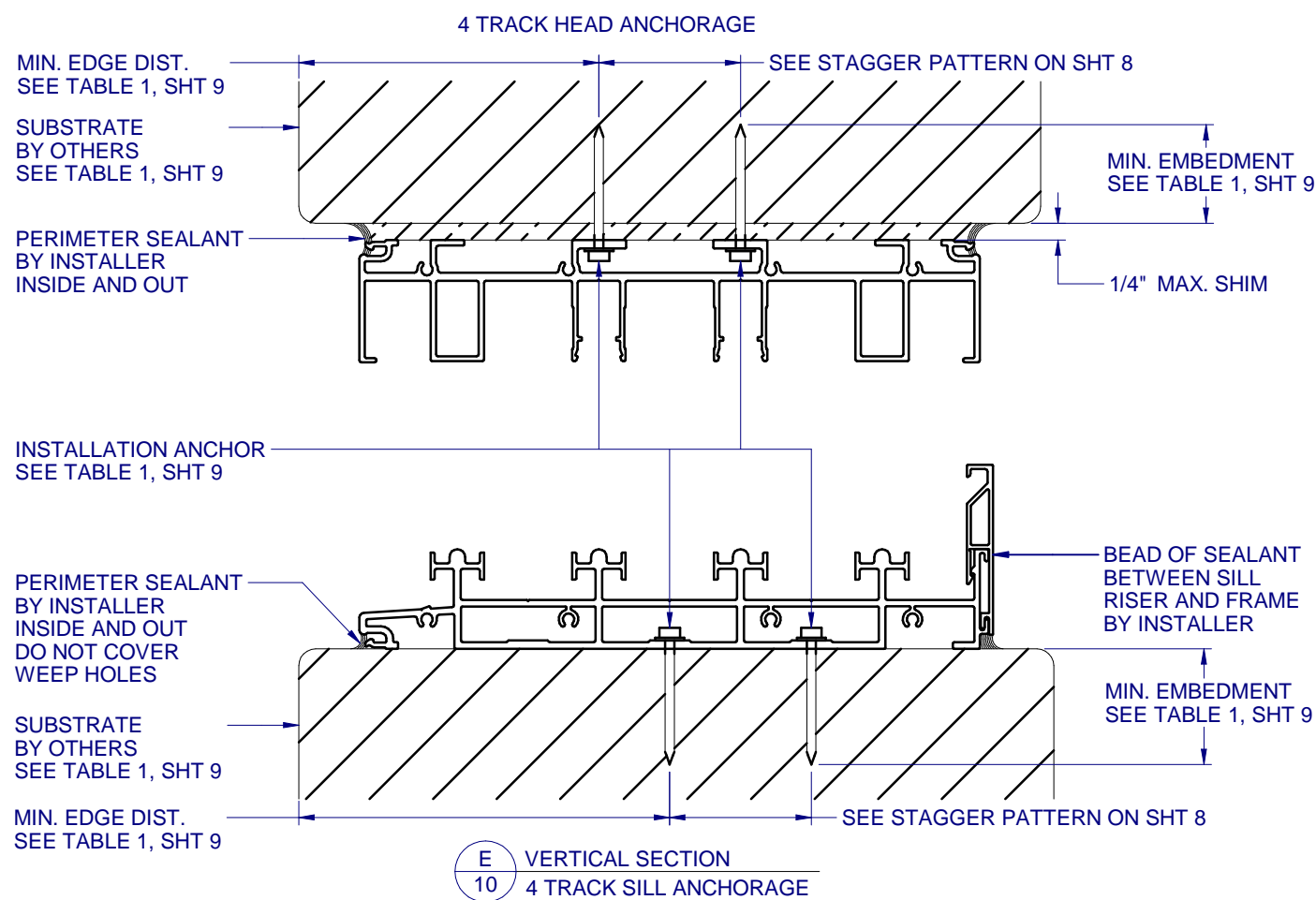
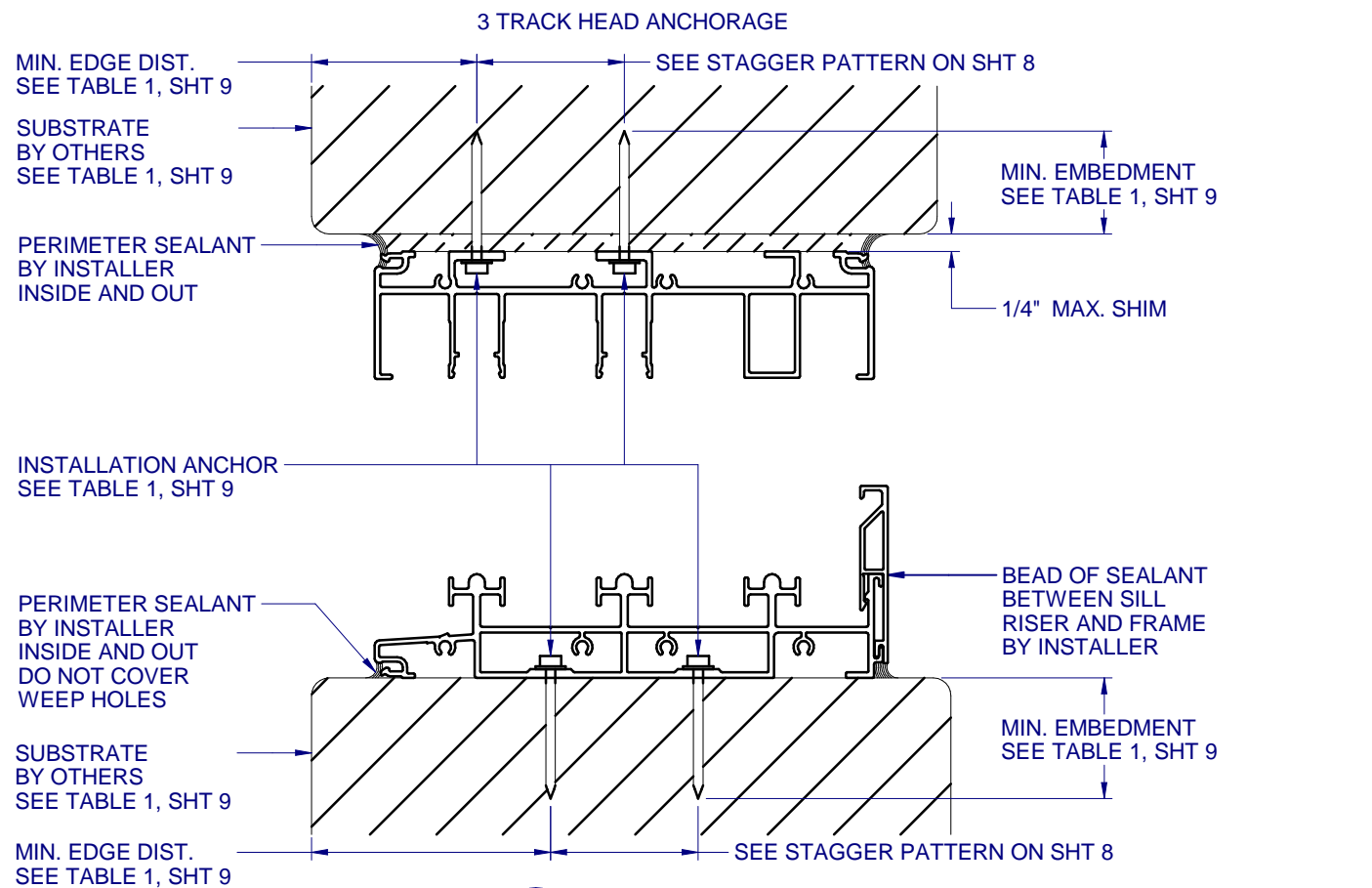


C HORIZONTAL SECTION
9 HOOK STRIP

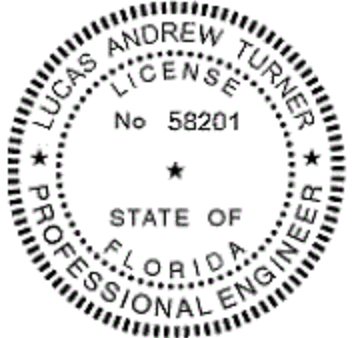
TABLE 1: APPROVED INSTALLATION FASTENERS

SUBSTRATE TYPE	ANCHOR TYPE	MIN. EMBEDMENT	MIN. EDGE DIST.
CONCRETE (2.0 KSI MIN.)	1/4" ITW TAPCON	1-1/2"	4"
CONCRETE (2.85 KSI MIN.)	1/4" ELCO ULTRACON	1-3/4"	2-1/2"
2X MIN. SOUTHERN PINE (G=0.55)	1/4" ITW TAPCON OR ELCO ULTRACON	1-3/8"	7/8"
2X MIN. SOUTHERN PINE (G=0.55)	#12 WOOD SCREW	1-3/8"	7/8"
16 GAUGE (0.060") MIN. STEEL STUD (33 KSI YIELD MIN)	#12-14 HILTI KWIK-FLEX OR ITW TEKS SELF-DRILLING SCREW	FULL THREAD THRU 0.060"	1/2"
1/8" ALUM. (6063-T5 MIN.) OR 1/8" STEEL (33 KSI MIN.)	#12 GRADE 5 SELF-TAPPING / DRILLING SCREW	FULL THREAD THRU 0.125"	1/2"
HOOKSTRIP ONLY: HOLLOW OR GROUT-FILLED CMU (ASTM C-90)	1/4" ELCO ULTRACON	1-3/4"	2-1/2"

**3800 ALUM.
SLIDING GLASS
DOOR - IMPACT**



			4/14/2016	DATE:
		BLZ	BY:	
		REV'D GLAZING DETAIL	NO.:	DESCRIPTION:
				REVISIONS



LT
4/28/2016

LUCAS A. TURNER, P.E.
FL PE # 58201
1239 JABARA AVE.
NORTH PORT, FL 34288
PH. 941-380-1574

SHEET DESCRIPTION:
INSTALLATION DETAILS
3 & 4 TRACK

DRAWN BY: EMK	DATE: 03/31/16
DWG #: CWS-1156	REV.: -
SCALE: 1:2.67	SHEET 10 OF 10