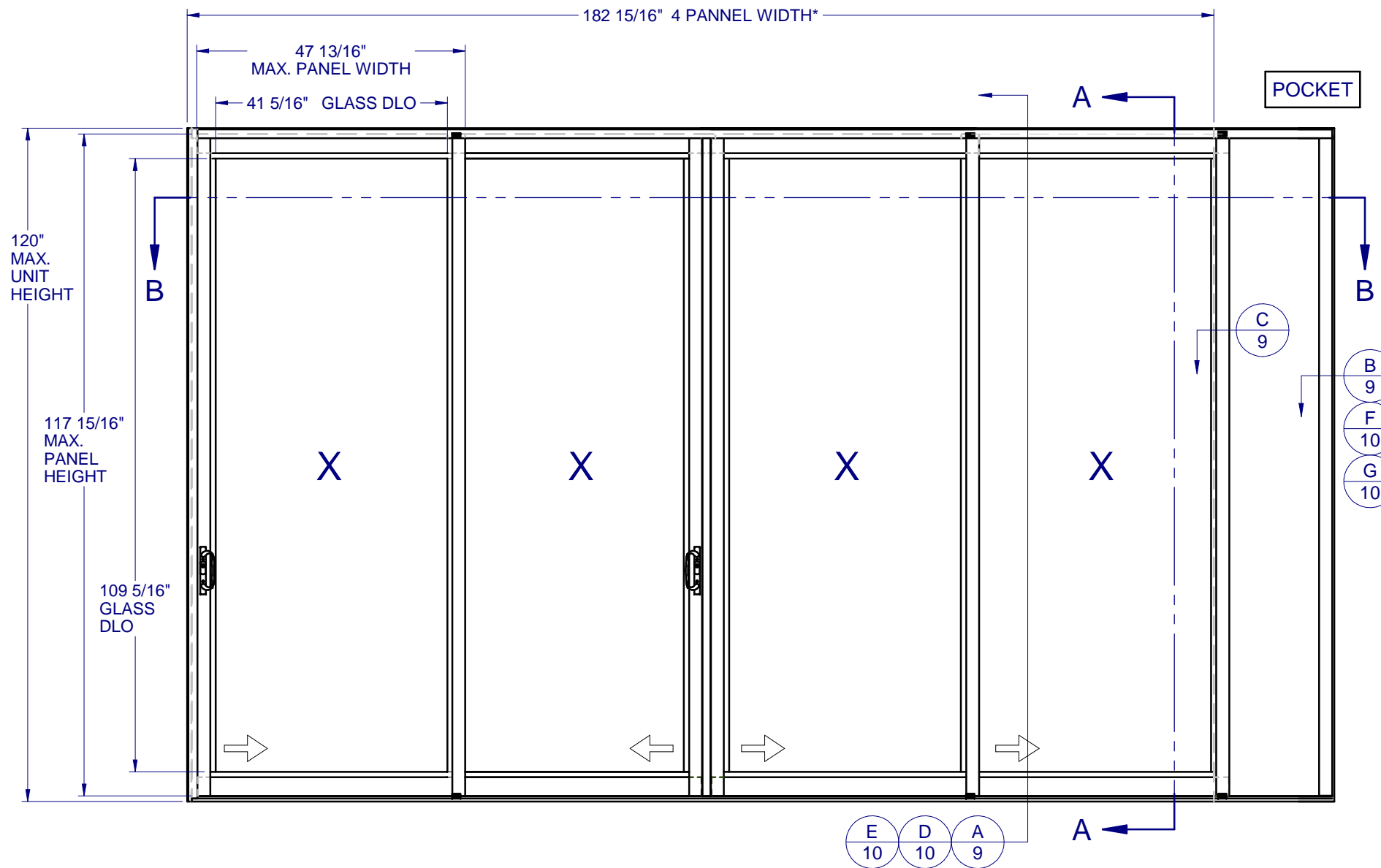


SLIDING GLASS DOOR - LARGE MISSILE IMPACT



GENERAL NOTES:

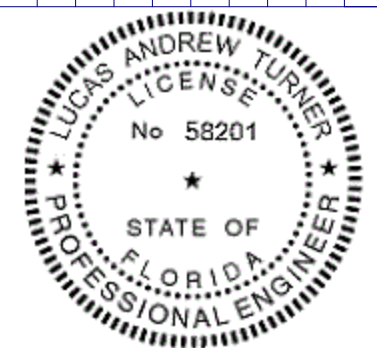
1. THE PRODUCT SHOWN HEREIN IS DESIGNED AND MANUFACTURED TO COMPLY WITH THE FLORIDA BUILDING CODE (FBC), CURRENT EDITION AND IS RATED FOR USE IN THE HIGH VELOCITY HURRICANE ZONE (HVHZ) AND IS RATED FOR WIND ZONE 4 MISSILE LEVEL D IMPACT USE AS DEFINED IN ASTM E 1996 PER THE FBC.
2. GLAZING OPTIONS: (SEE SHEET 3)
3. APPROVED CONFIGURATIONS INCLUDE BUT ARE NOT LIMITED TO:
 "XO", "OX", "XX", "OXO", "XXX", "OXXO", "XXXX", "PX", "PXX", "PXXX", "PXXXX", "PXXP", "PXXXXP", "PXXXXXXP", "PXXXXXXXP"
 2 TRACK, 3 TRACK, 4 TRACK
4. DESIGN PRESSURE RATING:
 -NEGATIVE DESIGN LOADS BASED ON, TESTED PRESSURE AND GLASS TABLES ASTM E-1300-04.
 -POSITIVE DESIGN LOADS BASED ON, TESTED PRESSURE, WATER INFILTRATION TEST PRESSURE AND GLASS TABLES ASTM E-1300-04.
5. ANCHORAGE: THE 33 1/3% STRESS INCREASE HAS NOT BEEN USED IN THE DESIGN OF THIS PRODUCT. SEE SHEETS 9-10 FOR ANCHOR DETAILS. WINDLOAD DURATION FACTOR Cd=1.6 WAS USED FOR WOOD ANCHOR CALCULATIONS.
6. PRODUCT APPROVED FOR IMPACT USE. SHUTTERS ARE NOT REQUIRED.
7. ALL FRAMES AND VENTS ARE PROCESSED AND SCREWED TOGETHER.
8. SERIES / MODEL DESIGNATION SGD-3800.
9. THE DESIGNATION X AND O STAND FOR THE FOLLOWING:
 X = OPERABLE SASH, O = FIXED SASH, P = POCKET/HOOKSTRIP
10. SECTION CALLOUTS APPLY TO ALL CONFIGURATIONS IN A SIMILAR LOCATION.
11. WEEP SLOTS = 1/4" x 1-3/4" LOCATED 6" FROM BOTH ENDS.



1900 SW 44TH AVE.
 Ocala, Florida 34474
 WWW.CWS.CC

3800 ALUM. SLIDING GLASS DOOR - IMPACT

NO.:	DESCRIPTION:	BY:	DATE:



ZZ
 4/28/2016

LUCAS A. TURNER, P.E.
 FL PE # 58201
 1239 JABARA AVE.
 NORTH PORT, FL 34288
 PH. 941-380-1574

SHEET DESCRIPTION:
GENERAL NOTES AND ELEVATIONS

DRAWN BY: EMK	DATE: 03/31/16
DWG #: CWS-1158	REV.: -
SCALE: 1:25	SHEET 1 OF 10

TABLE OF CONTENTS

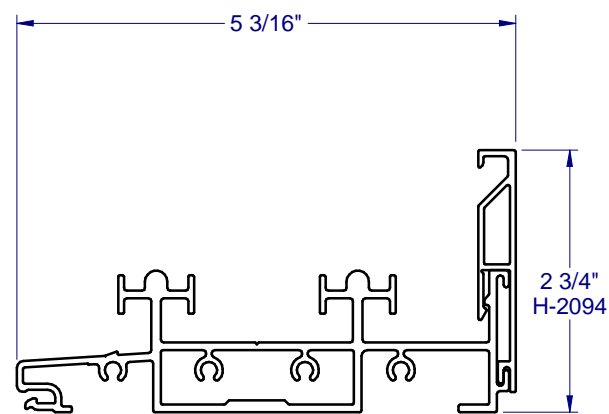
GENERAL NOTES & ELEVATIONS.....1
 SECTION VIEWS.....2
 BOM & GLAZING DETAIL.....3
 EXTRUSIONS.....4-5
 TRACK WIDTHS.....6
 ANCHOR SCHEDULE & NOTES.....7
 ANCHOR PATTERNS (STAGGER).....8
 INSTALLATION DETAILS.....9-10

MAX. PANEL SIZE	DESIGN PRESSURE RATING	IMPACT RATING
47-13/16" x 117-15/16"	+/-65 PSF	LARGE MISSILE IMPACT

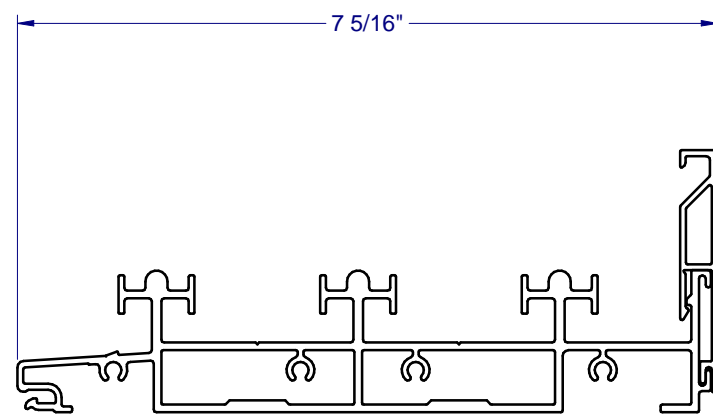
*(4) PANELS SHOWN; HVHZ LIMITED TO MAX. (9) PANELS. OUTSIDE HVHZ, UNLIMITED NUMBER OF PANELS IS ALLOWABLE AS LONG AS INDIVIDUAL PANELS DO NOT EXCEED PANEL SIZE AS SHOWN.

**3800 ALUM.
SLIDING GLASS
DOOR - IMPACT**

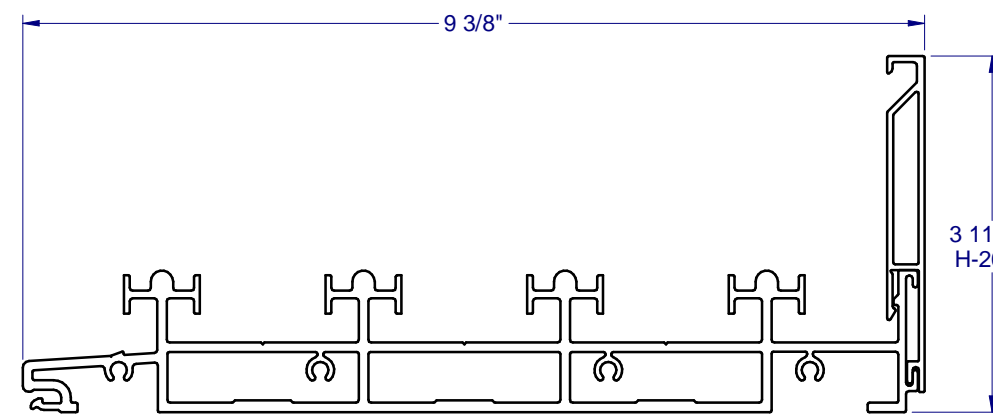
3 11/16"
H-2095



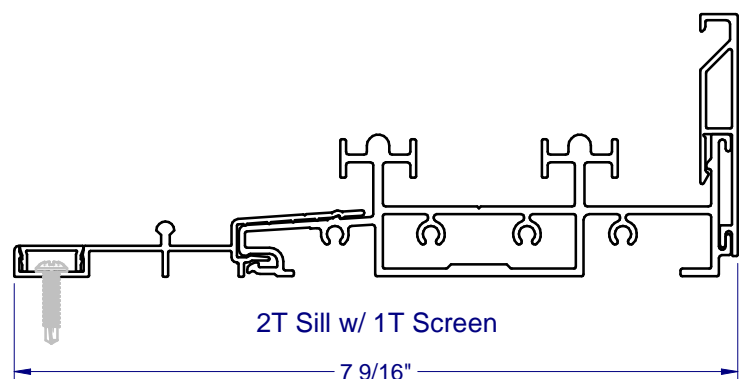
2T Sill w/Riser



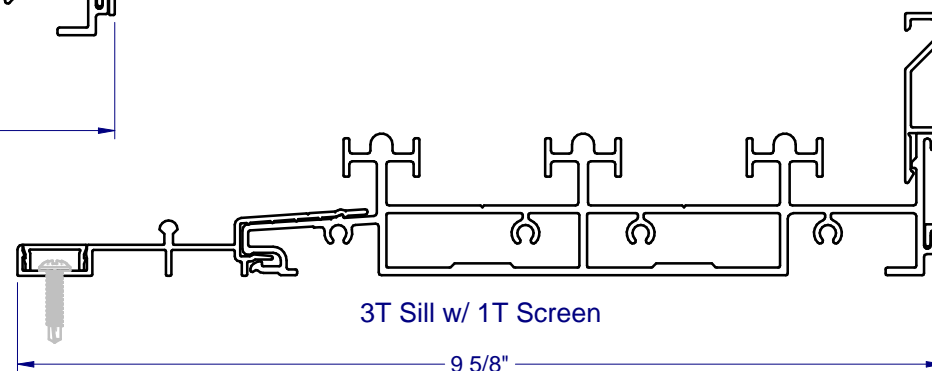
3T Sill w/Riser



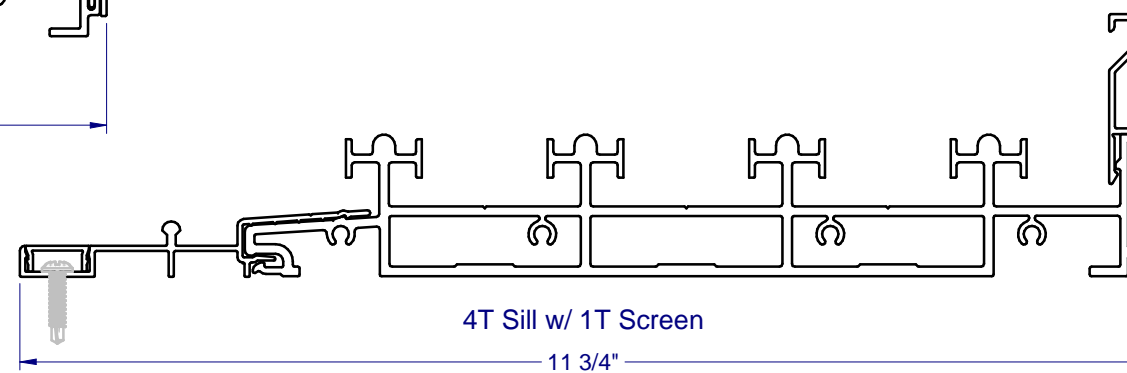
4T Sill w/Riser



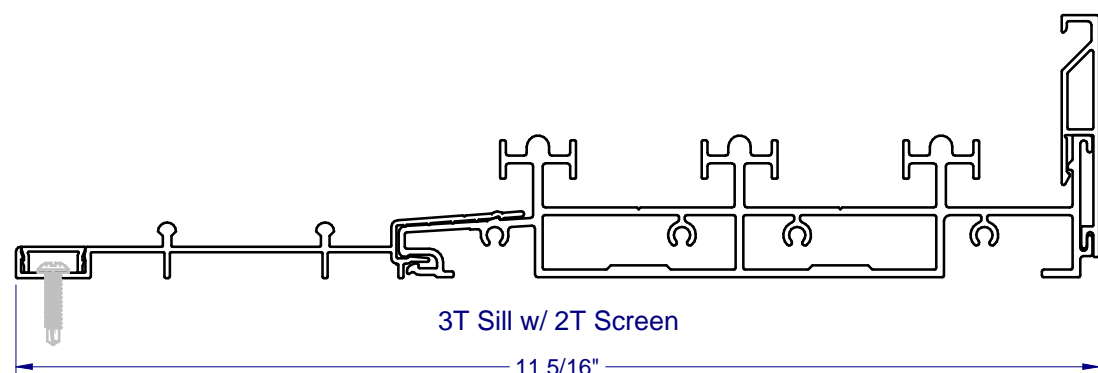
2T Sill w/ 1T Screen



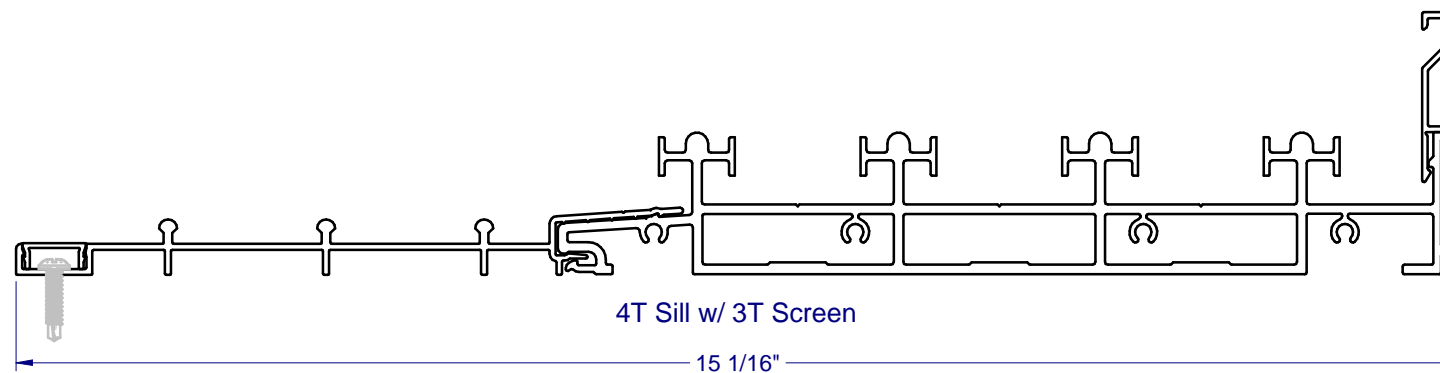
3T Sill w/ 1T Screen



4T Sill w/ 1T Screen

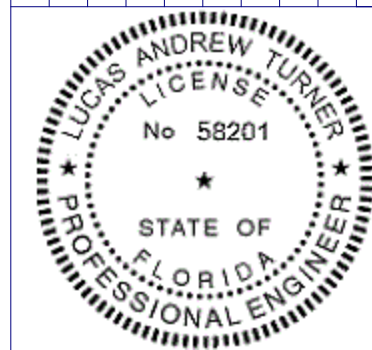


3T Sill w/ 2T Screen



4T Sill w/ 3T Screen

NO.:	DESCRIPTION:	BY:	DATE:



22
4/28/2016

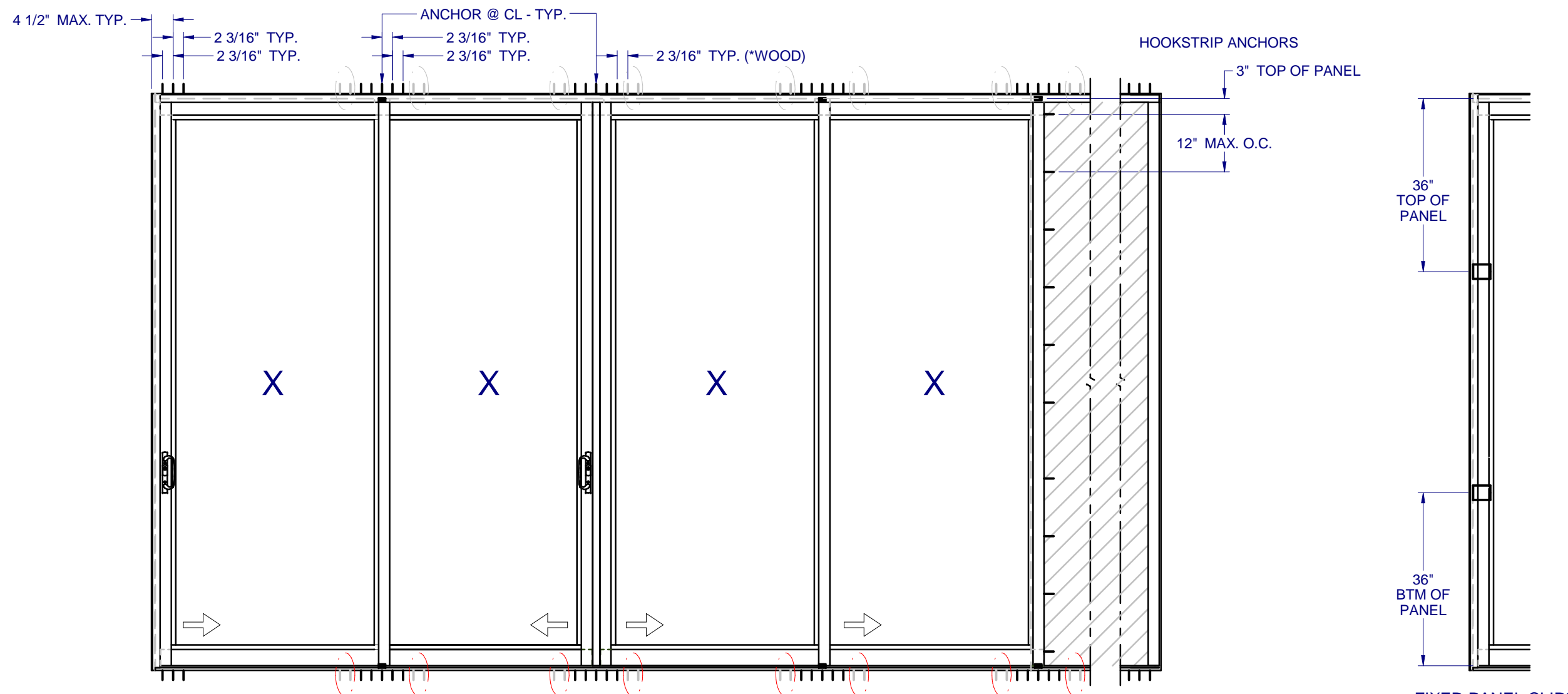
LUCAS A. TURNER, P.E.
FL PE # 58201
1239 JABARA AVE.
NORTH PORT, FL 34288
PH. 941-380-1574

SHEET DESCRIPTION:

TRACK WIDTHS

DRAWN BY: EMK	DATE: 03/31/16
DWG #: CWS-1158	REV.: -
SCALE: 1:2	SHEET 6 OF 10

**3800 ALUM.
SLIDING GLASS
DOOR - IMPACT**

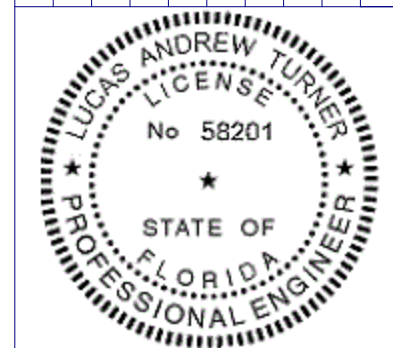


* CIRCLED ANCHOR LOCATIONS REQ'D ONLY IN WOOD INSTALLATIONS. (SEE NEXT SHEET FOR DETAIL)

NOTES:

1. INSTALL ONE ANCHOR AT EACH INSTALLATION LOCATION (SEE STAGGER DETAILS ON NEXT SHEET). SILL ANCHOR SPACING SAME AS HEAD FOR 3T AND 4T. INSTALL ONE ANCHOR AT EACH LOCATION IN HOOKSTRIP. SEE SPECIAL LOCATIONS AND SPACING FOR 2T SILL NEXT SHEET
2. SHIM AS REQ AT EACH INSTALLATION ANCHOR USING LOAD BEARING SHIMS. MAX. ALLOWABLE SHIM STACK TO BE 1/4". USE SHIMS WHERE SPACE GREATER THAN 1/16" IS PRESENT. LOAD BEARING SHIMS SHALL BE CONSTRUCTED OF HIGH DENSITY PLASTIC OR BETTER. WOOD SHIMS ARE NOT ALLOWED.
3. ANCHOR TYPE, SIZE, SPACING AND EMBEDMENT SHALL BE AS SPECIFIED IN THESE DRAWINGS, SEE TABLE 1, SHEET 9.
4. ALL INSTALLATION ANCHORS MUST BE MADE OF OR PROTECTED WITH A CORROSION RESISTANT MATERIAL OR COATING. DISSIMILAR METALS OR MATERIALS IN CONTACT WITH PRESSURE TREATED WOOD MUST BE PROTECTED TO PREVENT REACTION.
5. INSTALLATION ANCHORS SHALL BE IN ACCORDANCE WITH ANCHOR MANUFACTURER'S INSTALLATION INSTRUCTIONS, AND ANCHORS SHALL NOT BE USED IN SUBSTRATES WITH STRENGTHS LESS THAN THE MINIMUM SPECIFIED IN TABLE 1, SHEET 9.
6. ANCHOR EMBEDMENT TO SUBSTRATE SHALL BE BEYOND WALL DRESSING OR STUCCO. FOR CONCRETE/CMU OPENINGS, EMBEDMENT SHALL BE BEYOND WOOD BUCKS, IF USED, INTO SUBSTRATE. INSTALLATIONS TO SOLID CONCRETE OR GROUT-FILLED CMU MAY INCLUDE BUT DO NOT REQUIRE 1X WOOD BUCKS BETWEEN THE PRODUCT AND SUBSTRATE. INSTALLATIONS TO HOLLOW CMU REQUIRE THE USE OF 1X BUCKS BETWEEN THE PRODUCT AND SUBSTRATE.
7. A MINIMUM CENTER-TO-CENTER SPACING SHALL BE MAINTAINED BETWEEN ALL FASTENERS: 3" FOR SOLID CONCRETE, 6" FOR CMU MASONRY, 1" FOR WOOD AND METAL.
8. WOOD OR MASONRY OPENINGS, BUCKS AND BUCK FASTENERS SHALL BE PROPERLY DESIGNED BY THE ARCHITECT OR ENGINEER OF RECORD AND INSTALLED TO TRANSFER WIND LOADS TO THE STRUCTURE. SUBSTRATES SHALL MEET THE MINIMUM STRENGTH REQUIREMENTS AS SHOWN IN TABLE 1, SHEET 9. CONCRETE AND MASONRY SUBSTRATES MAY NOT BE CRACKED.
9. SEALING AND FLASHING STRATEGIES FOR OVERALL WATER RESISTANCE OF INSTALLATION SHALL BE DONE BY OTHERS FOLLOWING THE CURRENT VERSION OF THE REFERENCE DOCUMENTS: FMA/AAMA 100(FIN WINDOWS), FMA/AAMA 200(FLANGE WINDOWS), FMA/WDMA 250(BOX WINDOWS), FMA/AAMA/WDMA 300(EXTERIOR DOORS)

NO.:	DESCRIPTION:	BY:	DATE:



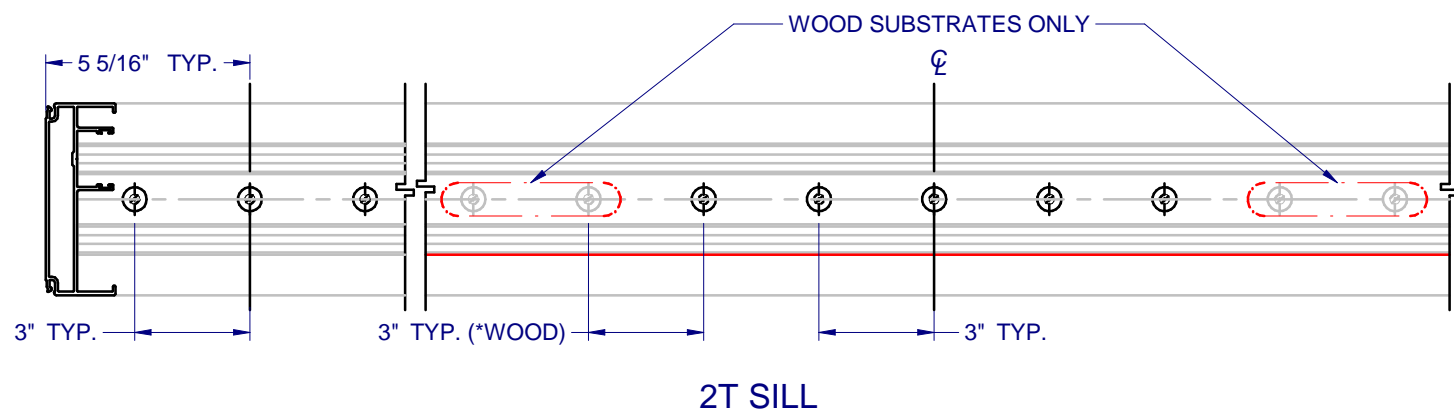
LT
4/28/2016

LUCAS A. TURNER, P.E.
FL PE # 58201
1239 JABARA AVE.
NORTH PORT, FL 34288
PH. 941-380-1574

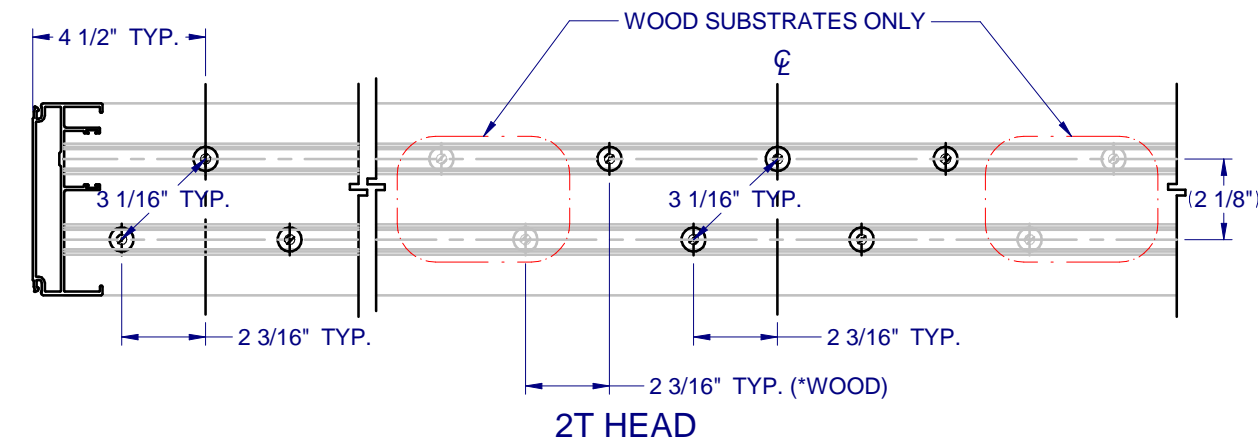
SHEET DESCRIPTION:
ANCHOR SCHEDULE AND NOTES

DRAWN BY: EMK	DATE: 03/31/16
DWG #: CWS-1158	REV.: -
SCALE: 1:25	SHEET 7 OF 10

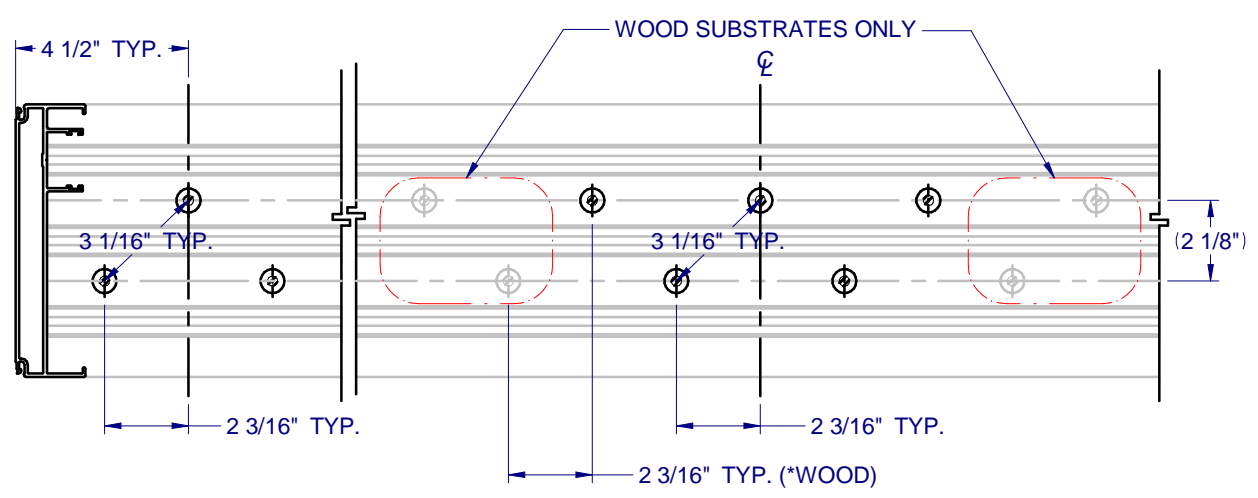
**3800 ALUM.
SLIDING GLASS
DOOR - IMPACT**



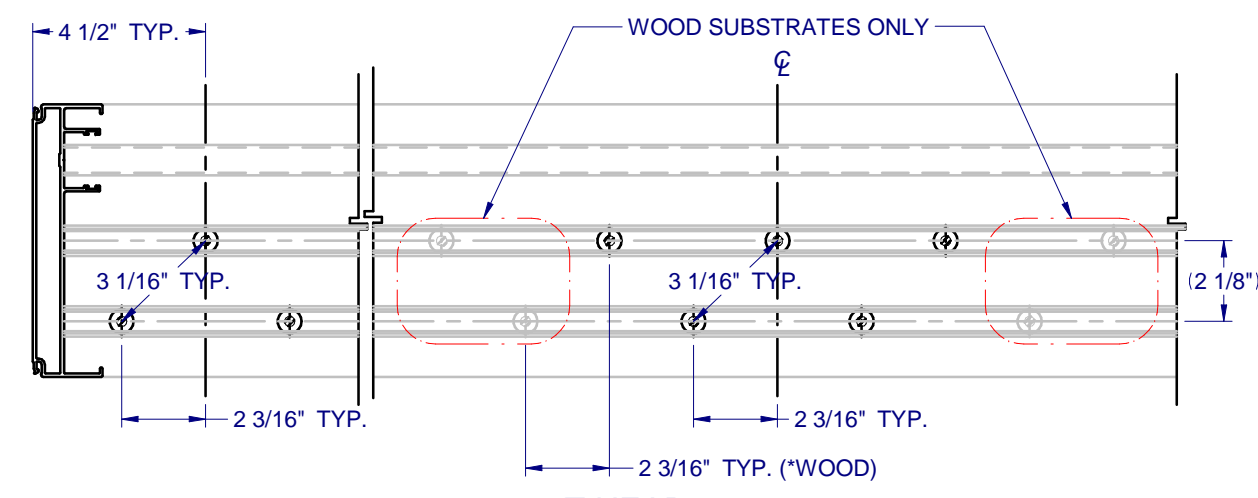
2T SILL



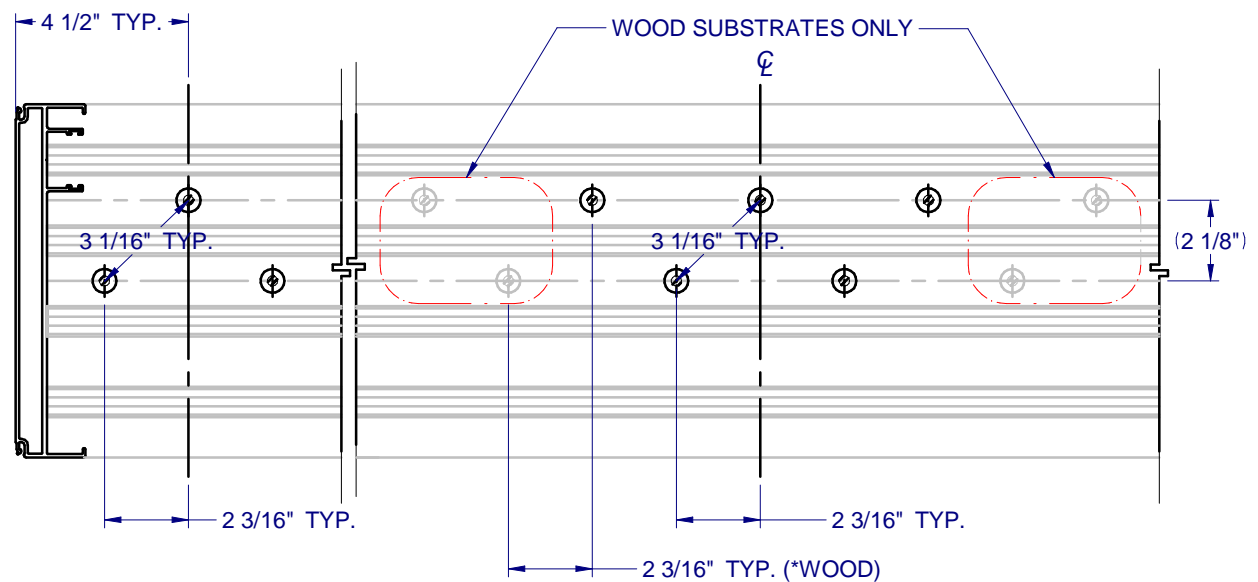
2T HEAD



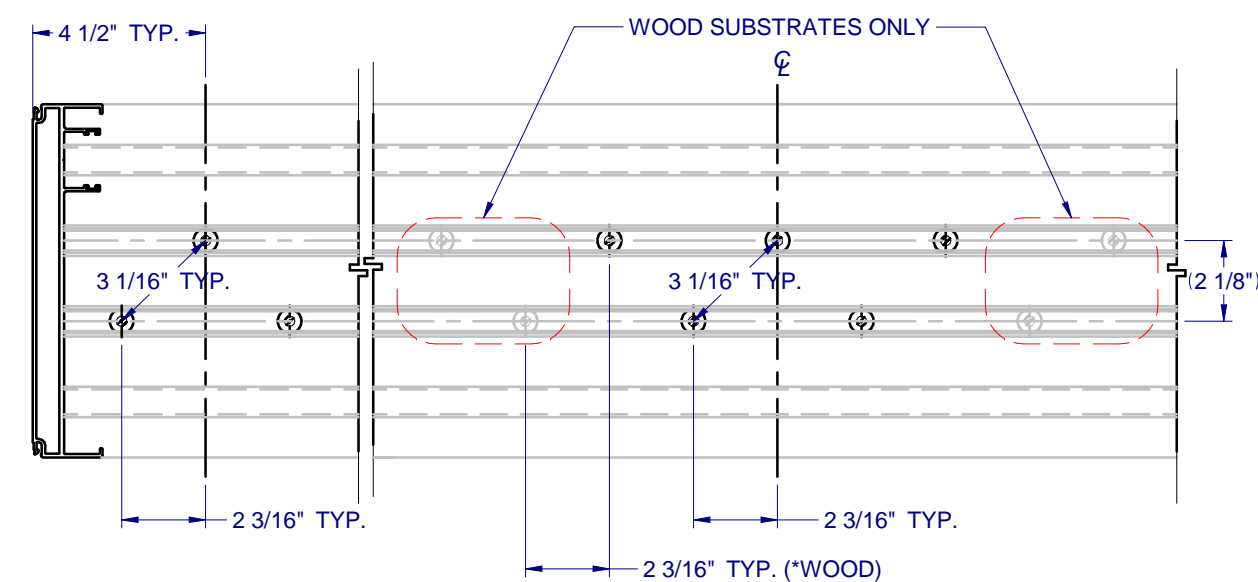
3T SILL



3T HEAD



4T SILL



4T HEAD

* CIRCLED ANCHOR LOCATIONS REQ'D ONLY IN WOOD INSTALLATIONS.

NOTE: CL = CENTERLINE OF INTERLOCK OR ASTRAGAL

NO.:	DESCRIPTION:	BY:	DATE:

22
4/28/2016

LUCAS A. TURNER, P.E.
FL PE # 58201
1239 JABARA AVE.
NORTH PORT, FL 34288
PH. 941-380-1574

SHEET DESCRIPTION:
**ANCHOR PATTERNS
(STAGGER)**

DRAWN BY: EMK	DATE: 03/31/16
DWG #: CWS-1158	REV.: -
SCALE: 1:5	SHEET 8 OF 10

**3800 ALUM.
SLIDING GLASS
DOOR - IMPACT**

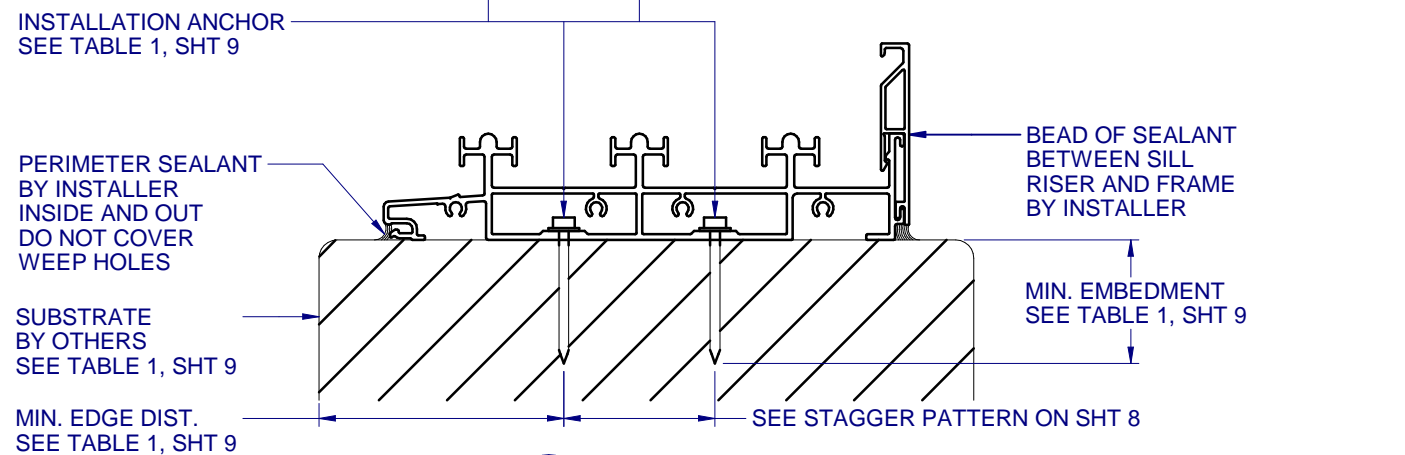
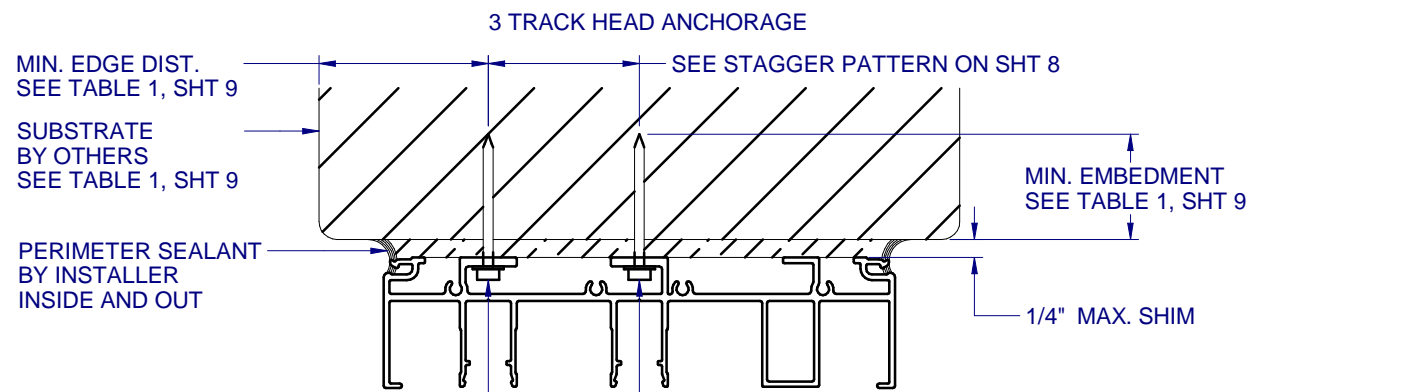
NO.:	DESCRIPTION:	BY:	DATE:

22
4/28/2016

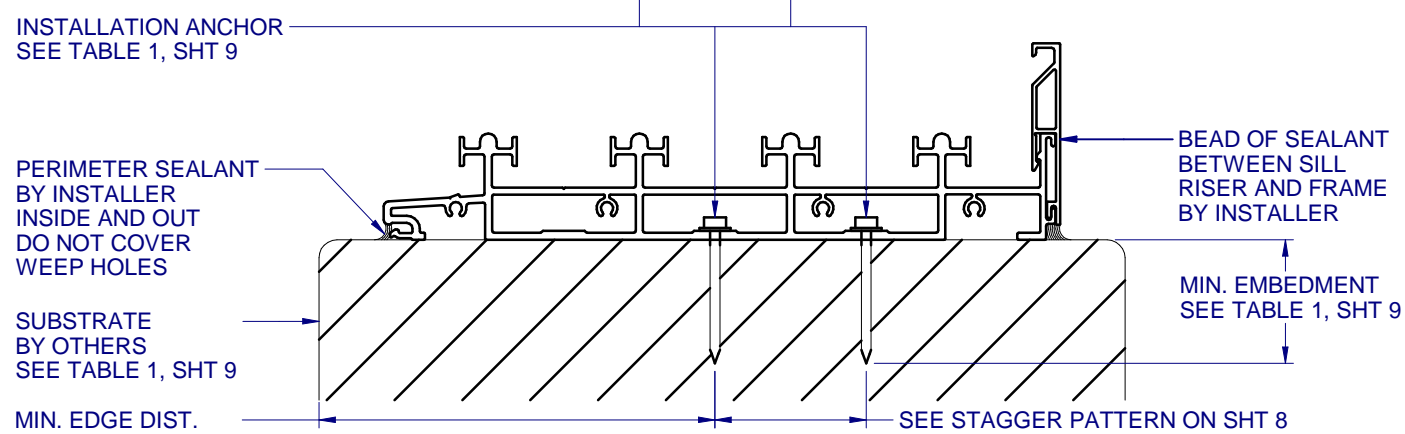
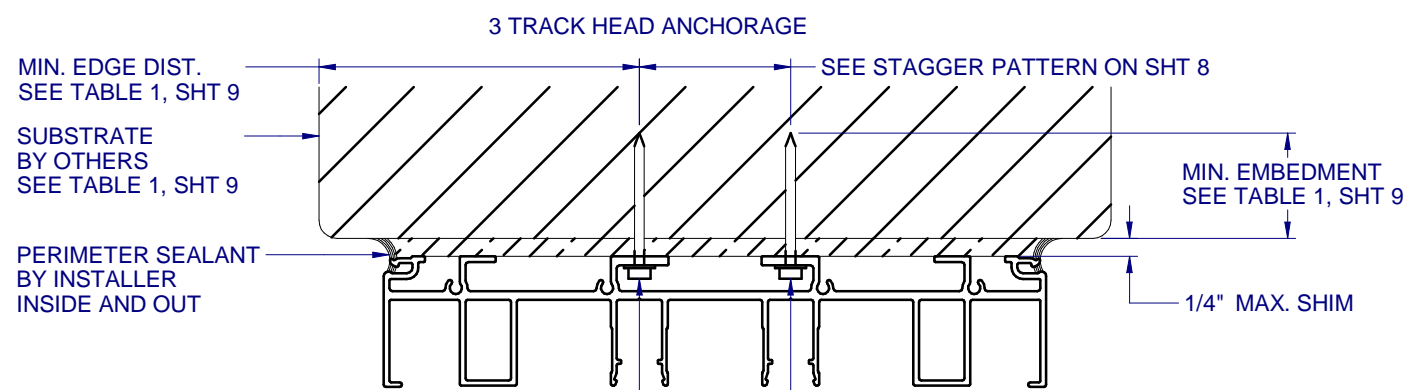
LUCAS A. TURNER, P.E.
FL PE # 58201
1239 JABARA AVE.
NORTH PORT, FL 34288
PH. 941-380-1574

SHEET DESCRIPTION:
**INSTALLATION DETAILS
3 & 4 TRACK**

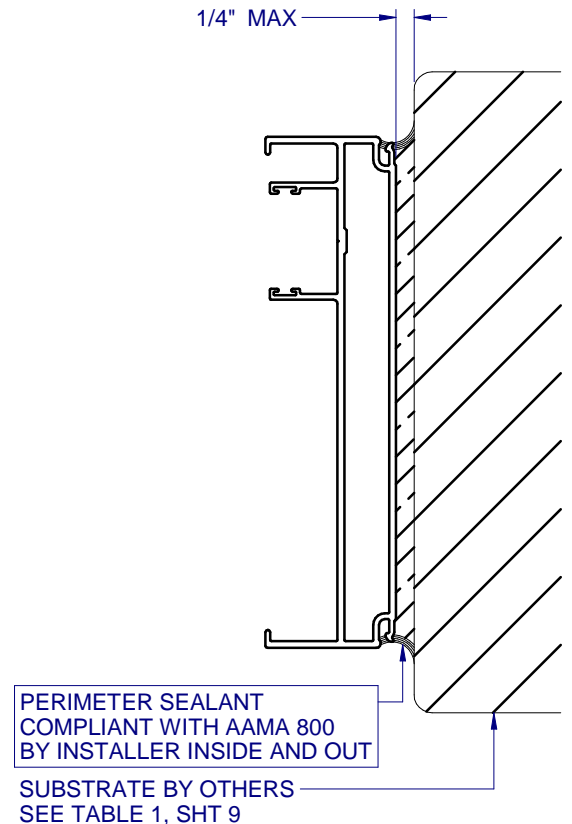
DRAWN BY: EMK	DATE: 03/31/16
DWG #: CWS-1158	REV.: -
SCALE: 1:2.67	SHEET 10 OF 10



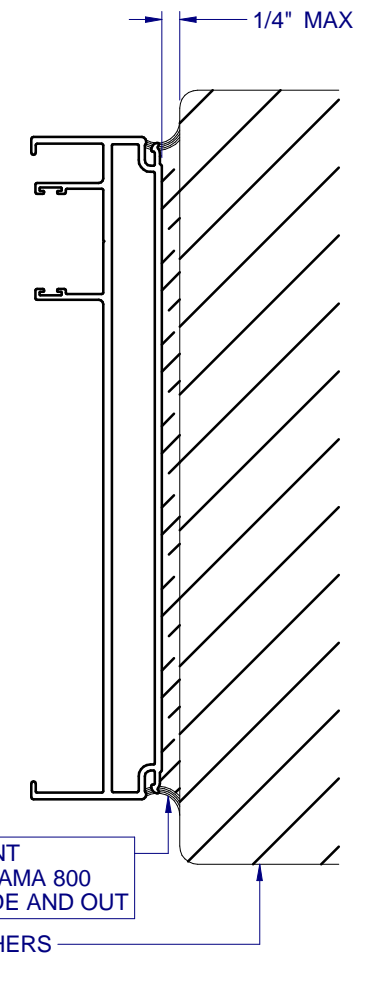
D VERTICAL SECTION
10 3 TRACK SILL ANCHORAGE



E VERTICAL SECTION
10 4 TRACK SILL ANCHORAGE



F HORIZONTAL SECTION
10 3 TRACK JAMB ANCHORAGE



G HORIZONTAL SECTION
10 4 TRACK JAMB ANCHORAGE

PERIMETER SEALANT COMPLIANT WITH AAMA 800 BY INSTALLER INSIDE AND OUT
SUBSTRATE BY OTHERS SEE TABLE 1, SHT 9

PERIMETER SEALANT COMPLIANT WITH AAMA 800 BY INSTALLER INSIDE AND OUT
SUBSTRATE BY OTHERS SEE TABLE 1, SHT 9