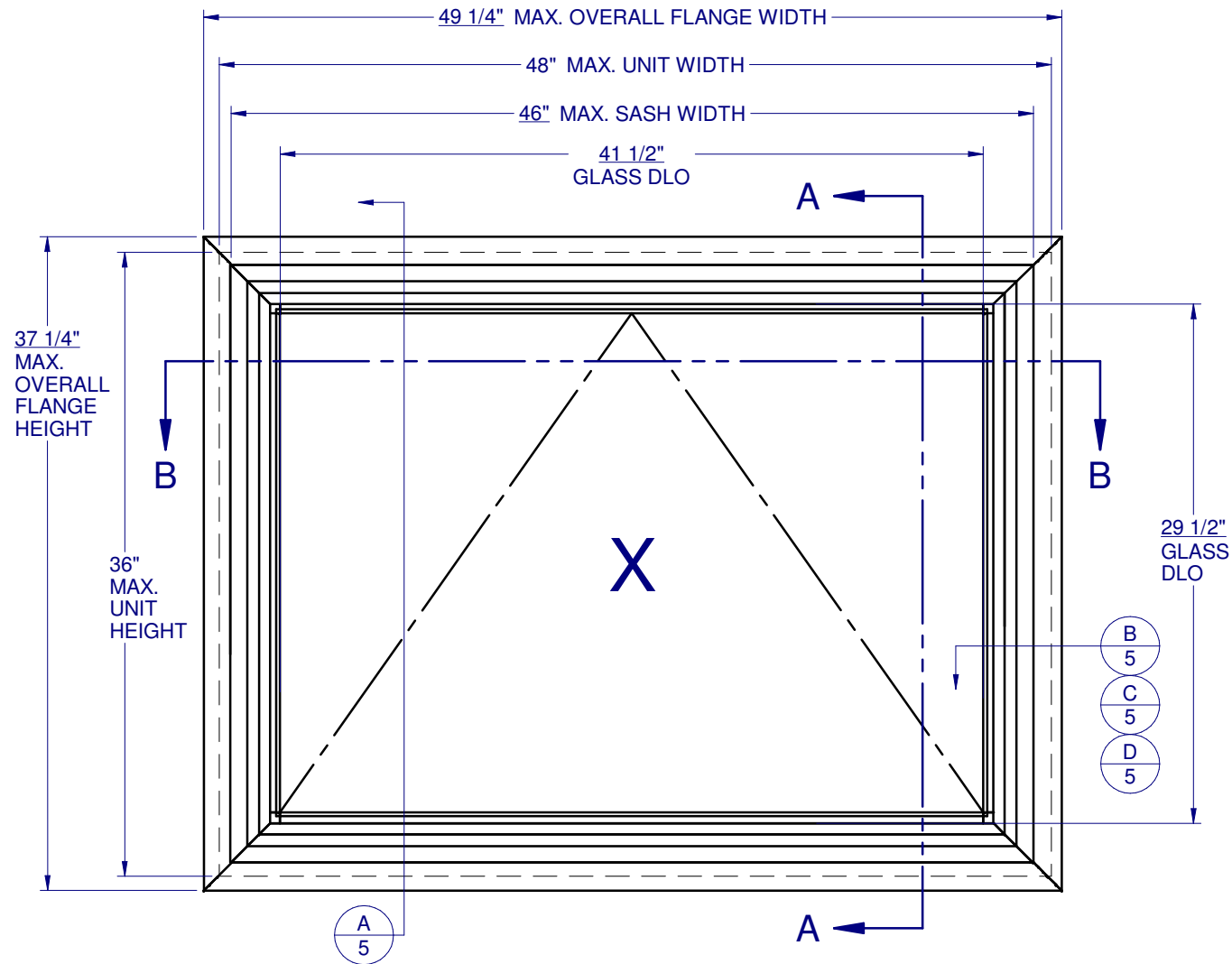


AWNING - LARGE MISSILE IMPACT

GENERAL NOTES:

1. THE PRODUCT SHOWN HEREIN IS DESIGNED AND MANUFACTURED TO COMPLY WITH THE FLORIDA BUILDING CODE (FBC), CURRENT EDITION INCLUDING THE HIGH VELOCITY HURRICANE ZONE (HVHZ) AND IS RATED FOR WIND ZONE 4 MISSILE LEVEL D IMPACT USE AS DEFINED IN ASTM E 1996 PER THE FBC.
2. GLAZING OPTIONS: (SEE SHEET 2)
3. CONFIGURATIONS: ALL WINDOWS ARE OPEN FROM BOTTOM TO OUTSIDE.
4. DESIGN PRESSURES:
 - NEGATIVE DESIGN LOADS BASED ON TESTED PRESSURE AND GLASS TABLES ASTM E-1300-04.
 - POSITIVE DESIGN LOADS BASED ON TESTED PRESSURE, WATER INFILTRATION TEST PRESSURE, AND GLASS TABLES ASTM E-1300-04.
5. ANCHORAGE: THE 33 1/3% STRESS INCREASE HAS NOT BEEN USED IN THE DESIGN OF THIS PRODUCT. SEE SHEET 5 FOR INSTALLATION DETAIL. WIND LOAD DURATION FACTOR $C_d=1.6$ WAS USED FOR WOOD ANCHOR CALCULATIONS.
6. PRODUCTS APPROVED FOR IMPACT RESISTANCE. SHUTTERS ARE NOT REQUIRED.
7. ALL FRAMES ARE PROCESSED AND SCREWED TOGETHER. PVC VENTS FULLY WELDED.
8. SERIES/MODEL DESIGNATION AW-8450.
9. THE DESIGNATION X STANDS FOR THE FOLLOWING:
X = OPERABLE SASH
10. SECTION CALLOUTS APPLY TO ALL ELEVATIONS IN A SIMILAR LOCATION.



1900 SW 44TH AVE.
OCALA, FLORIDA 34474
WWW.CWS.CC

8450 PVC AWNING IMPACT

NO.:	DESCRIPTION:	BY:	DATE:
C	UPDATED PER 2014 FBC	TEF	03/16/15
B	UPDATED PER 2010 FBC	ADE	03/22/12
A	FBC UPDATE	ADE	07/07/08



LUCAS A. TURNER, P.E.
FL PE # 58201
1239 JABARA AVE.
NORTH PORT, FL 34288
PH. 941-380-1574

SHEET DESCRIPTION:

GENERAL NOTES AND ELEVATIONS

DRAWN BY:	DATE:
ADE	05/05/2007
DWG #:	REV.:
CWS-163	C
SCALE:	SHEET
1:10	1 OF 5

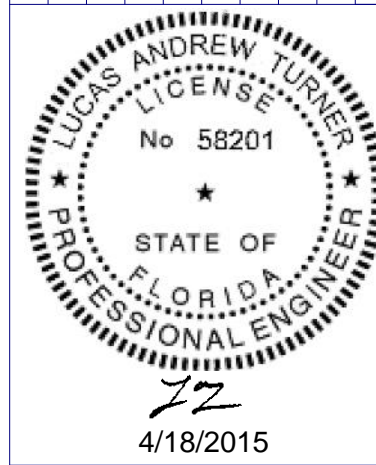
TABLE OF CONTENTS

GENERAL NOTES & ELEVATIONS.....	1
SECTION VIEWS & GLAZING.....	2
EXTRUSIONS & B.O.M.....	3
ANCHOR SCHEDULE & NOTES.....	4
INSTALLATION DETAILS.....	5

LOCATION	MAX. UNIT SIZE	DESIGN PRESSURE RATING	IMPACT RATING
NON-HVHZ	48" x 36"	+/- 65 PSF	LARGE MISSILE IMPACT
HVHZ		+/- 67.5 PSF	

**8450 PVC
AWNING
IMPACT**

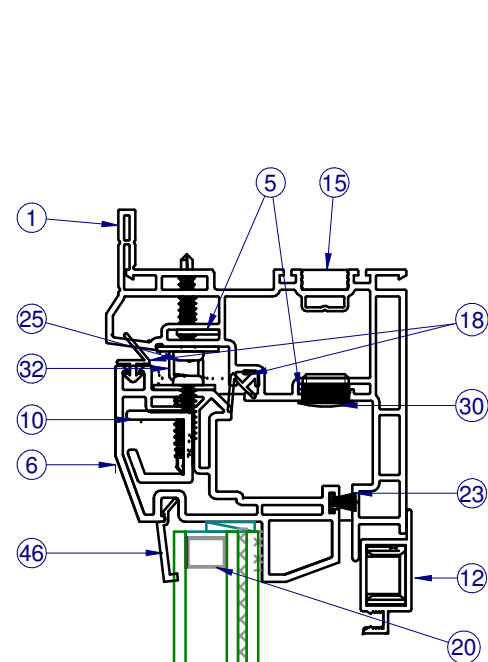
NO.:	DESCRIPTION:	BY:	DATE:
C	UPDATED PER 2014 FBC	TEF	03/16/15
B	UPDATED PER 2010 FBC	ADE	03/22/12
A	FBC UPDATE	ADE	07/07/08



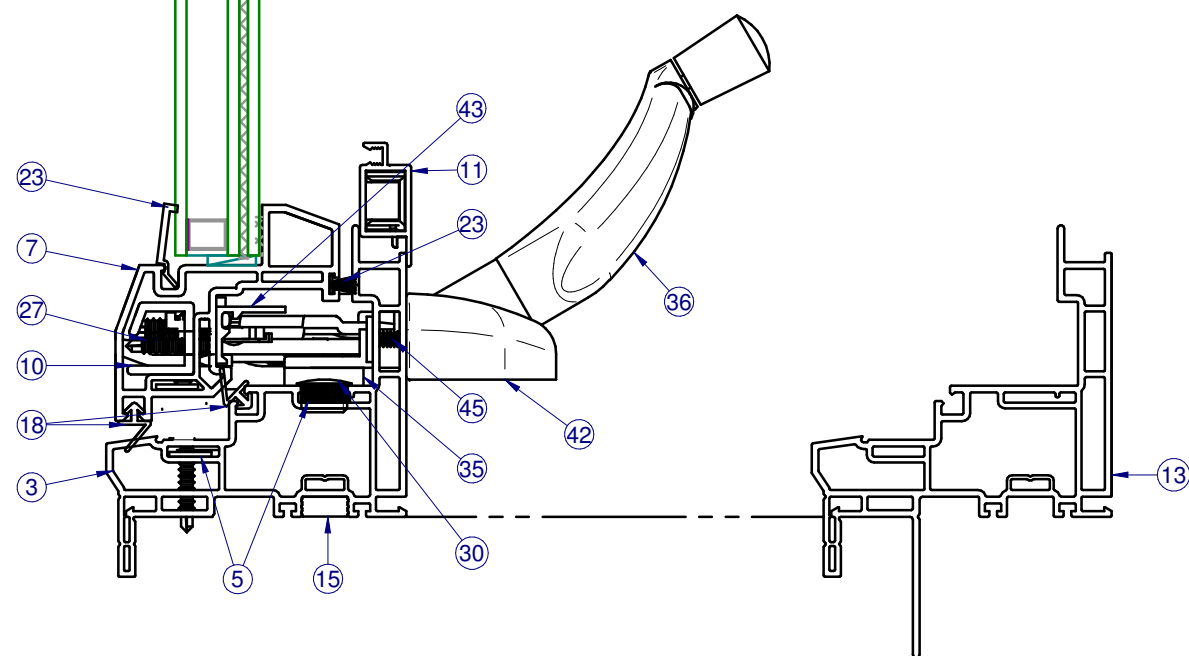
LUCAS A. TURNER, P.E.
FL PE # 58201
1239 JABARA AVE.
NORTH PORT, FL 34288
PH. 941-380-1574

SHEET DESCRIPTION:
**SECTION VIEWS AND
GLAZING DETAIL**

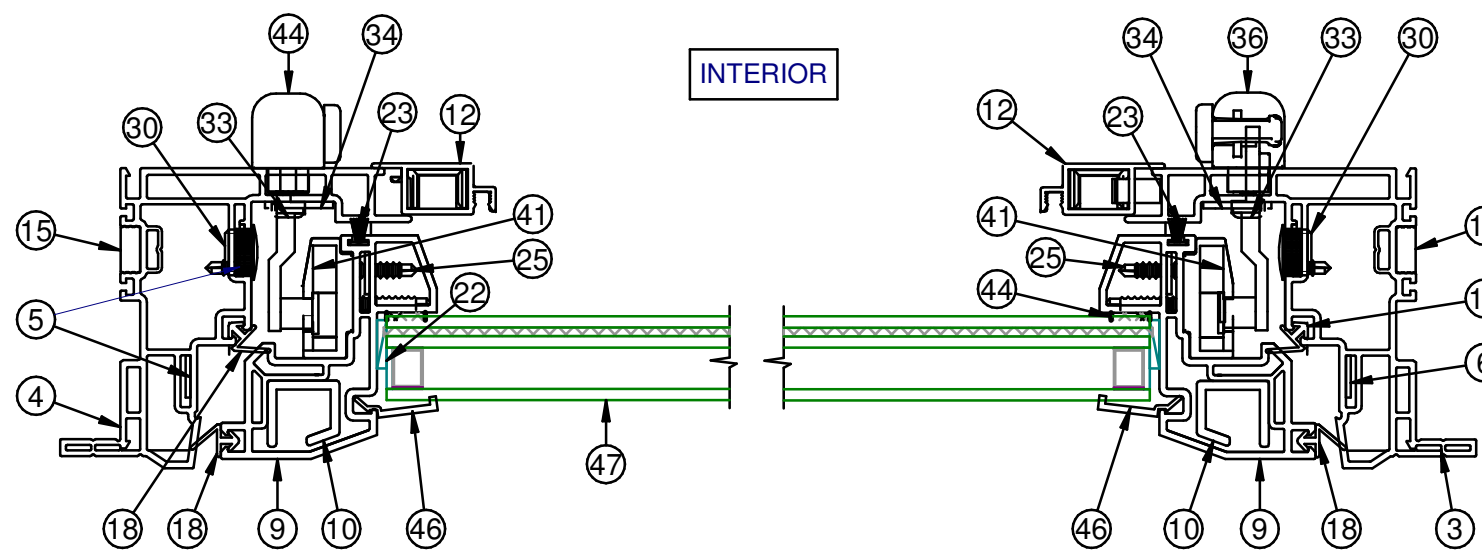
DRAWN BY:	DATE:
ADE	05/05/2007
DWG #:	REV.:
CWS-163	C
SCALE:	SHEET
1:2	2 OF 5



INTERIOR

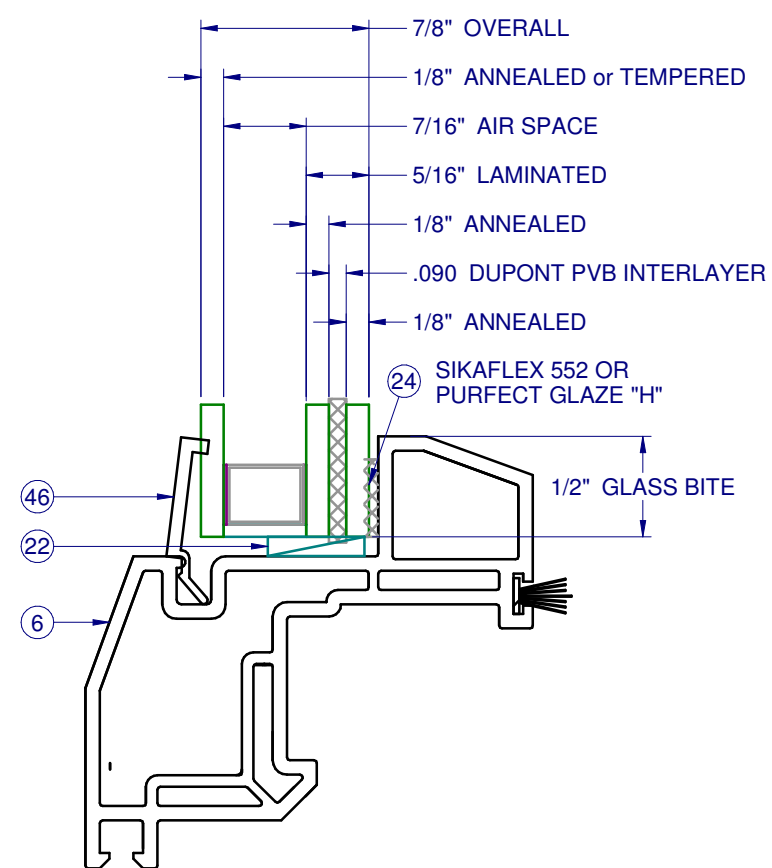


SECTION VIEW A-A



INTERIOR

SECTION VIEW B-B



1:1

ITEMS NOT SHOWN FOR CLARITY:
22,25,33,38,42,46-48,51-56

ITEM	PART #	DESCRIPTION	VENDOR	MATERIAL
1	H-6030	FR., AWNING., MAIN, HEAD	Mikron	Rigid PVC
2	H-6030	FR., AWNING, MAIN, SILL	Mikron	Rigid PVC
3	H-6030	FR., AWNING, MAIN, JB., RIGHT	Mikron	Rigid PVC
4	H-6030	FR., AWNING, MAIN, JB., LEFT	Mikron	Rigid PVC
5	P-4050	COIL-ALUMINUM, 5052-H32 (.050 X .437) JB, LEFT	Precision Steel	Aluminum
6	H-6008	SASH, AWNING, TOP RAIL	Mikron	Rigid PVC
7	H-6008	SASH, AWNING, BOT. RAIL	Mikron	Rigid PVC
8	H-6008	SASH, AWNING, SIDE RAIL, RIGHT	Mikron	Rigid PVC
9	H-6008	SASH, AWNING, SIDE RAIL, LEFT	Mikron	Rigid PVC
10	S-1505	REINF. AWNING, SASH SIDE RAIL LEFT	Keymark	Aluminum
11	H-1592	SCREEN RAIL, SIDE	Keymark	Aluminum
12	H-1593	SCREEN RAIL, TOP/BTM/SIDE	Keymark	Aluminum
13	H-6030A	FR., AWNING., MAIN, HEAD, W/ INTEGRAL FIN	Mikron	Rigid PVC
14	P-3029	SCREEN LIFT-OUT	Hurley	Steel
15	P-3113	SCREW SUPPORT FOR PVC	Team	Rubber
16	P-3195	SCREEN SPRING, NO HOLE TENSION	Hurley	Steel
17	P-3197	SCREEN CORNER KEY	M&M	Nylon
18	P-3217	WSTP., WHITE LEAF SEAL, FRAME	Amesbury	Rubber
19	P-3228	SCREEN SPLINE, .155 DIA, BLK	Dapa	Foam
20	P-3281	SPACER, DURASEAL, .SEE SHEET 3	Truseal	
21	P-3342	SEAM SEALER, SM-5504	Schnee	Silicone
22	P-3352	SET. BLK., 85 DUR., 1/8" X 5/8" X 2" LG.	Frank Lowe	Rubber
23	P-3429	WSTP., .270 X .187 BACK, ULTRA FIN, BLACK, SASH	Ultrafab	Nylon
24	P-3438	PURFECT GLAZE "H", SIKA FLEX 552	Truseal/Sika	Silicone
25	P-3539	#8 X 3/4" QUAD PH TEK, ZINC, SCREW	Fastenal	Steel
26	P-3581	SCREEN CLOTH, 18 X 16 FIBERGLASS	Wier	Fiberglass
27	P-3587	#8 X 1" PH FH TEK 2, ZINC, SCREW	Fastenal	Steel
28	P-3613	CWS LBL. (LOGO)		
29	P-3736	AW-8400 GOLD CERT. LABEL, NFRC TAB		
30	P-3752	CAP PLUG, 1/2" HOLE	M&M	Nylon
31	P-3881	TEMPORARY LBL. (NFRC/DP)		
32	P-3940	SNUBBER, SS, PVC		
33	P-4004	#8-32 X 1/2" PH PH, MS, SS (ROTO HDWE. LOCK)	Fastenal	Steel
34	P-4005	SUPPORT PLATE, LOCK, SS, ROTO HDWE. (Use w/ P-	Roto	Stainless
35	P-4012	SHIM, ROTO OPERATOR, ROTO HDWE. (4.8mm)	Roto	Stainless
36	P-4014	HANDLE, STD, ROTO OPER, ROTO HDWE. (WHITE)	Roto	Stainless
37	P-4015	HINGE ARM, WASHABILITY, 13", ROTO HARDWARE	Roto	Stainless
38	P-4018	HINGE TRACK, 13" ROTO HDWE., "A" & "B"	Roto	Stainless
39	P-4024	GASKET, ROTO OPER., ROTO HDWE., 1/16"	HOP	Closed Cell
40	P-4042	GASKET, LOCK	HOP	Closed Cell
41	P-4043	STRIKE, MULTI-POINT	Progress Plastics	Plastic
42	P-4044	ROTO OPER., SCISSOR ARM, AWNING	Roto	Stainless
43	P-4045	SWIVEL BRACKET, ROTO OPER., AWNING	Roto	Stainless
44	P-4047	LOCK, SINGLE-POINT, ROTO HDWE., WHITE	Roto	Stainless
45	P-4521	#8-32 x 3/4" Phil Trilobe Truss, SS	Fastenal	Steel
46	S-6064	GLZ. BD., 7/8"	Mikron	Rigid PVC
47	GLASS	SEE SHEET 2		



1900 SW 44TH AVE.
OCALA, FLORIDA 34474
WWW.CWS.CC

8450 PVC AWNING IMPACT

NO.:	DESCRIPTION:	BY:	DATE:
C	UPDATED PER 2014 FBC	TEF	03/16/15
B	UPDATED PER 2010 FBC	ADE	03/22/12
A	FBC UPDATE	ADE	07/07/08



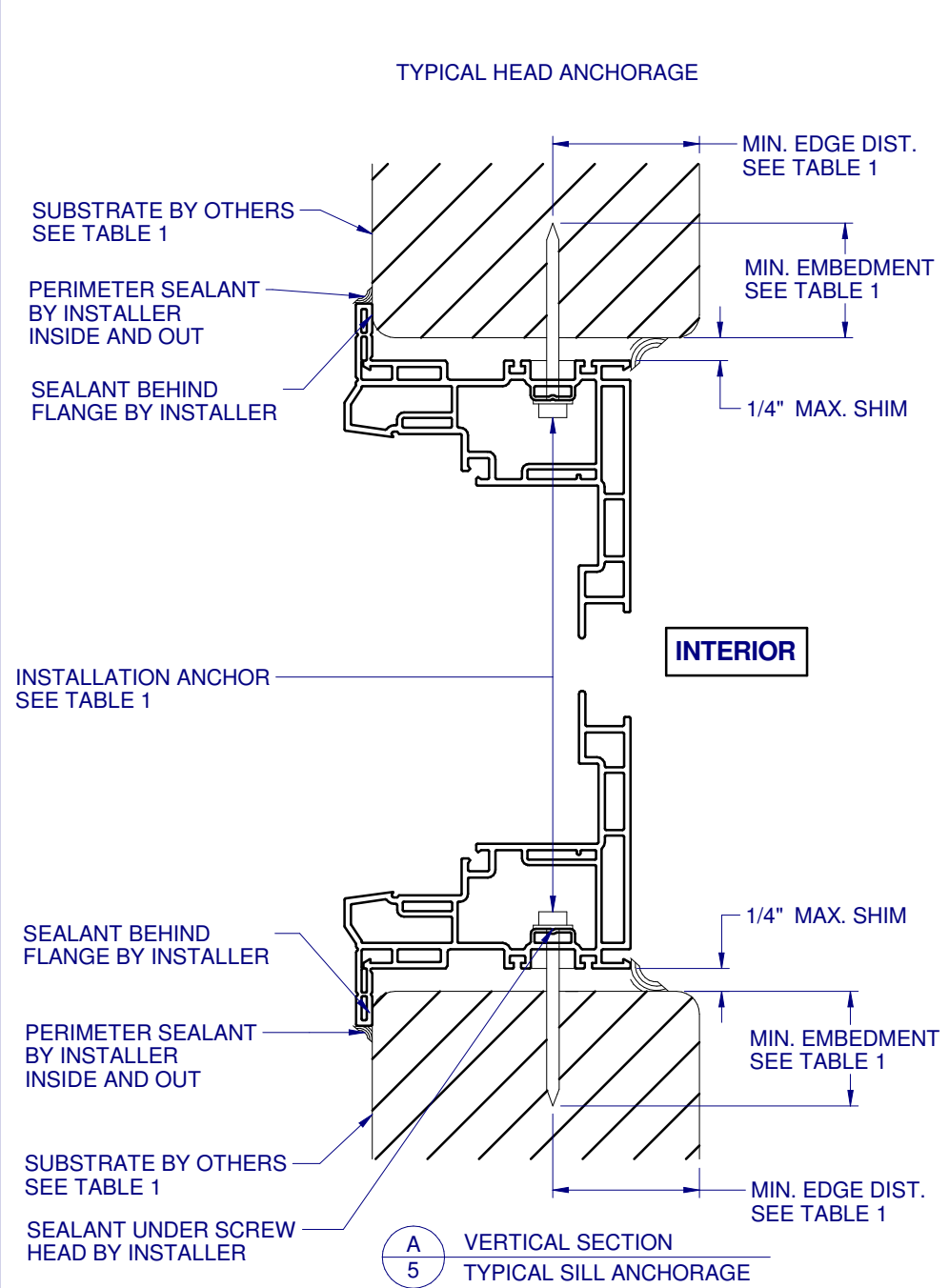
LUCAS A. TURNER, P.E.
FL PE # 58201
1239 JABARA AVE.
NORTH PORT, FL 34288
PH. 941-380-1574

SHEET DESCRIPTION:

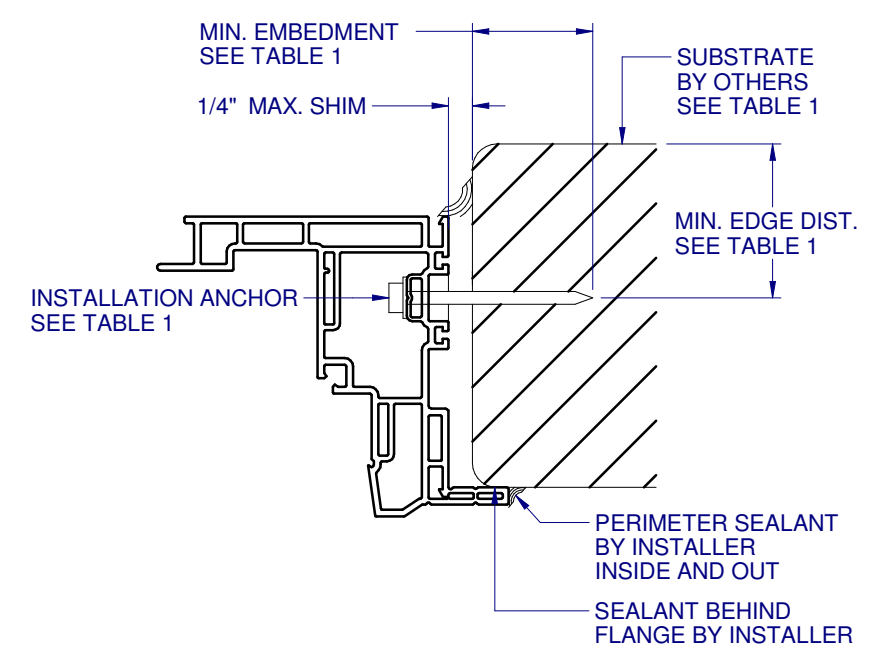
DRAWN BY: ADE	DATE: 05/05/2007
DWG #: CWS-163	REV.: C
SCALE: 1:2	SHEET 3 OF 5

REVISIONS

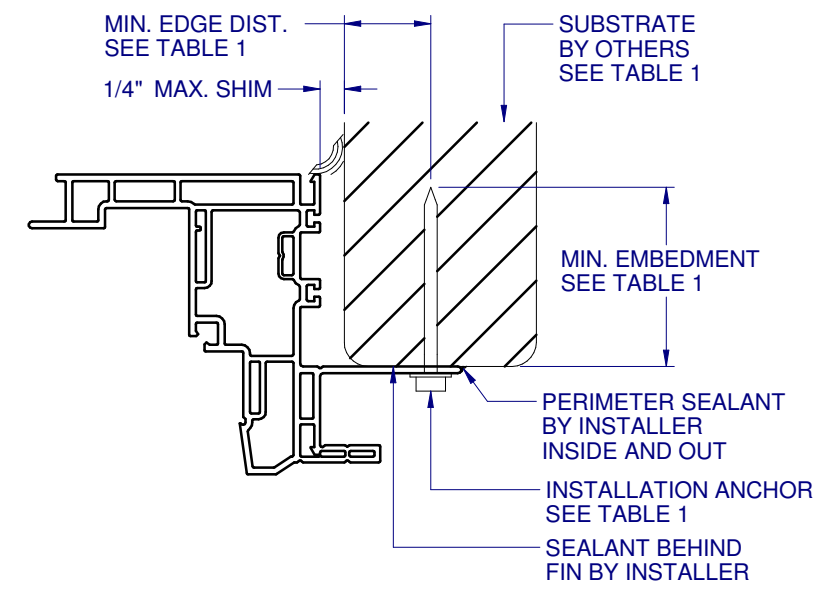
**8450 PVC
AWNING
IMPACT**



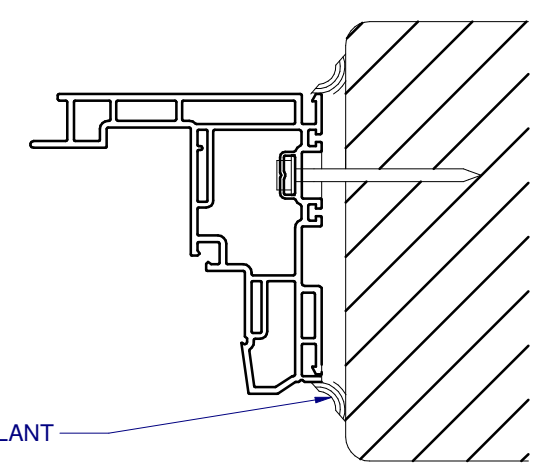
A
5 VERTICAL SECTION
TYPICAL SILL ANCHORAGE



B
5 HORIZONTAL SECTION
TYPICAL JAMB ANCHORAGE



C
5 HORIZONTAL SECTION
TYPICAL FIN ANCHORAGE
HEAD AND SILL SIMILAR FOR FIN INSTALLATION



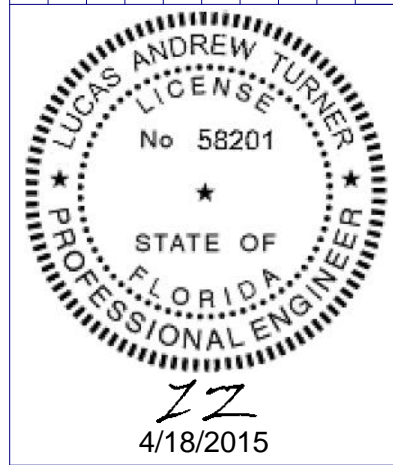
D
5 HORIZONTAL SECTION
BOX FRAME INSTALLATION
HEAD AND SILL SIMILAR FOR BOX INSTALLATION

TABLE 1: APPROVED INSTALLATION FASTENERS				
FRAME TYPE	SUBSTRATE TYPE	ANCHOR TYPE	MIN. EMBEDMENT	MIN. EDGE DIST.
FLANGE	CONCRETE (2.0 KSI MIN.)	3/16" ITW TAPCON	1"	1-1/8"
FLANGE	HOLLOW OR GROUT-FILLED CMU (117 PCF MIN.)	3/16" ITW TAPCON	1"	2"
FLANGE	CONCRETE (2.85 KSI MIN.)	3/16" ELCO ULTRACON	1"	1"
FLANGE	GROUT-FILLED CMU (ASTM C-90)	3/16" ELCO ULTRACON	1-1/4"	2-1/2"
FLANGE	2X MIN. SPRUCE-PINE-FIR (G=0.42)	3/16" ITW TAPCON OR ELCO ULTRACON	1-3/8"	7/8"
FLANGE	2X MIN. SPRUCE-PINE-FIR (G=0.42)	#10 WOOD SCREW	1-3/8"	7/8"
FLANGE	16 GAUGE (0.060") MIN. STEEL STUD (33 KSI YIELD MIN.)	#10-16 HILTI KWIK-FLEX OR ITW TEKS SELF-DRILLING SCREW	FULL THREAD THRU 0.060"	7/16"
FLANGE	1/8" ALUM. (6063-T5 MIN.) OR 1/8" STEEL (33 KSI MIN.)	#10 GRADE 5 SELF-TAPPING / DRILLING SCREW	FULL THREAD THRU 0.125"	7/16"
FIN	2X MIN. SPRUCE-PINE-FIR (G=0.42)	#8 WOOD SCREW	1-1/2"	7/16"

FLANGE REMOVAL NOTE: PARTIALLY OR FULLY REMOVING THE FLANGE, UP TO AND INCLUDING A BOX-FRAME APPLICATION IS ACCEPTABLE PROVIDED:

- MIN. 1/4" FILLET OF CONSTRUCTION-GRADE ADHESIVE CAULK IS APPLIED INSIDE AND OUT, FULL PERIMETER, BY INSTALLER.
- PRODUCT ANCHORAGE IS IN ACCORDANCE WITH REQUIREMENTS AS SHOWN FOR FLANGE WINDOWS.

NO.	DESCRIPTION:	BY:	DATE:
C	UPDATED PER 2014 FBC	TEF	03/16/15
B	UPDATED PER 2010 FBC	ADE	03/22/12
A	FBC UPDATE	ADE	07/07/08



LUCAS A. TURNER, P.E.
FL PE # 58201
1239 JABARA AVE.
NORTH PORT, FL 34288
PH. 941-380-1574

SHEET DESCRIPTION:	
INSTALLATION DETAILS	
DRAWN BY:	DATE:
ADE	05/05/2007
DWG #:	REV.:
CWS-163	C
SCALE:	SHEET
1:2	5 OF 5