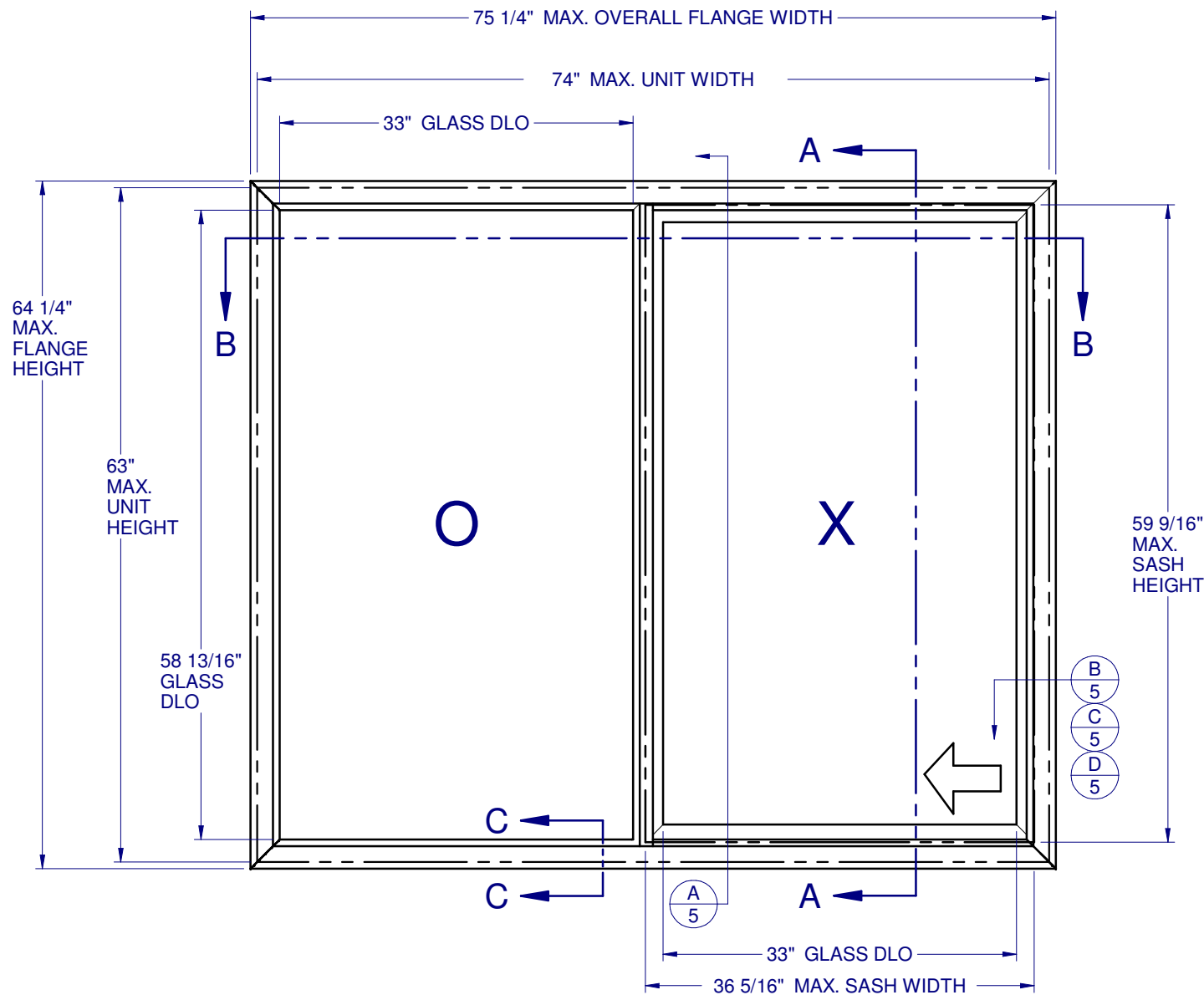


HORIZONTAL SLIDER - LARGE MISSILE IMPACT



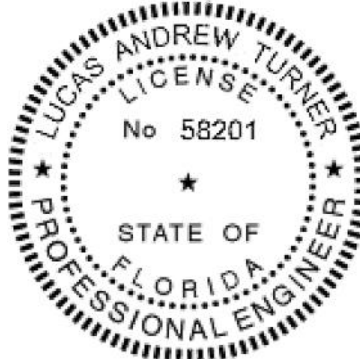
GENERAL NOTES:

1. THE PRODUCT SHOWN HEREIN IS DESIGNED AND MANUFACTURED TO COMPLY WITH THE FLORIDA BUILDING CODE (FBC), CURRENT EDITION INCLUDING THE HIGH VELOCITY HURRICANE ZONE (HVHZ) AND IS RATED FOR WIND ZONE 4 MISSILE LEVEL D IMPACT USE AS DEFINED IN ASTM E 1996 PER THE FBC.
2. GLAZING OPTIONS: (SEE SHEET 2)
3. CONFIGURATIONS: "OX", "XO".
4. DESIGN PRESSURE RATING:
 - NEGATIVE DESIGN LOADS BASED ON, TESTED PRESSURE AND GLASS TABLES ASTM E-1300-04.
 - POSITIVE DESIGN LOADS BASED ON, TESTED PRESSURE, WATER INFILTRATION TEST PRESSURE AND GLASS TABLES ASTM E-1300-04.
5. ANCHORAGE: THE 33 1/3% STRESS INCREASE HAS NOT BEEN USED IN THE DESIGN OF THIS PRODUCT. SEE SHEET 5 FOR ANCHOR DETAILS. WINDLOAD DURATION FACTOR Cd=1.6 WAS USED FOR WOOD ANCHOR CALCULATIONS.
6. PRODUCT APPROVED FOR IMPACT RESISTANCE. SHUTTERS ARE NOT REQUIRED. THE IMPACT ROTARY LOCKS ARE INTENDED TO BE LEFT UNLATCHED DURING NORMAL OPERATION OF THIS PRODUCT, BUT MUST BE ENGAGED PRIOR TO EXPOSURE TO HURRICANE WINDS AND FLYING DEBRIS.
7. ALL FRAMES AND VENTS FULLY WELDED. SMALL JOINT SEAM SEALANT USED AT FIXED MEETING RAIL AND HEAD/SILL.
8. SERIES / MODEL DESIGNATION HS-8200.
9. THE DESIGNATION X AND O STAND FOR THE FOLLOWING:
 - X = OPERABLE SASH, O = FIXED SASH
10. SECTION CALLOUTS APPLY TO ALL ELEVATIONS IN A SIMILAR LOCATION.
11. EXTERNAL WEEP SLOT = 1/4" x 1" LOCATED 4" FROM BOTH ENDS.

Custom
WINDOW SYSTEMS
1900 SW 44TH AVE.
OCALA, FLORIDA 34474
WWW.CWS.CC

8200 PVC HORZ. SLIDER IMPACT

NO.:	DESCRIPTION:	BY:	DATE:
B	UPDATED PER 2014 FBC	EMK	04/07/15
A	CHANGED EDGE DIST.	ADE	02/24/14


LT
 4/11/2015

LUCAS A. TURNER, P.E.
FL PE # 58201
1239 JABARA AVE.
NORTH PORT, FL 34288
PH. 941-380-1574

SHEET DESCRIPTION:
GENERAL NOTES AND ELEVATIONS

DRAWN BY:	DATE:
ADE	10/10/13
DWG #:	REV.:
CWS-871	B
SCALE:	SHEET
1:15	1 OF 5

TABLE OF CONTENTS

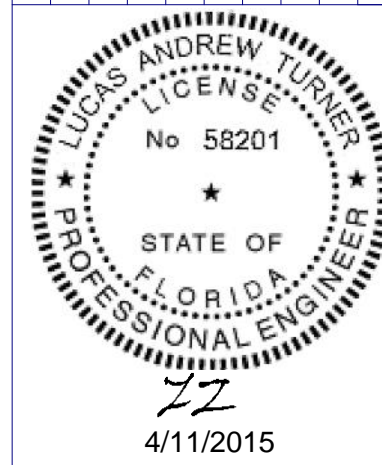
GENERAL NOTES & ELEVATIONS.....	1
SECTION VIEWS & GLAZING DETAILS....	2
EXTRUSIONS & B.O.M.....	3
ANCHOR SCHEDULE & NOTES.....	4
INSTALLATION DETAILS.....	5

MAX. UNIT SIZE	DESIGN PRESSURE RATING	IMPACT RATING
74" x 63"	+/- 60 PSF	LARGE MISSILE IMPACT

**8200 PVC
HORZ. SLIDER
IMPACT**

NO.:	DESCRIPTION:	BY:	DATE:
B	UPDATED PER 2014 FBC	EMK	04/07/15
A	CHANGED EDGE DIST.	ADE	02/24/14

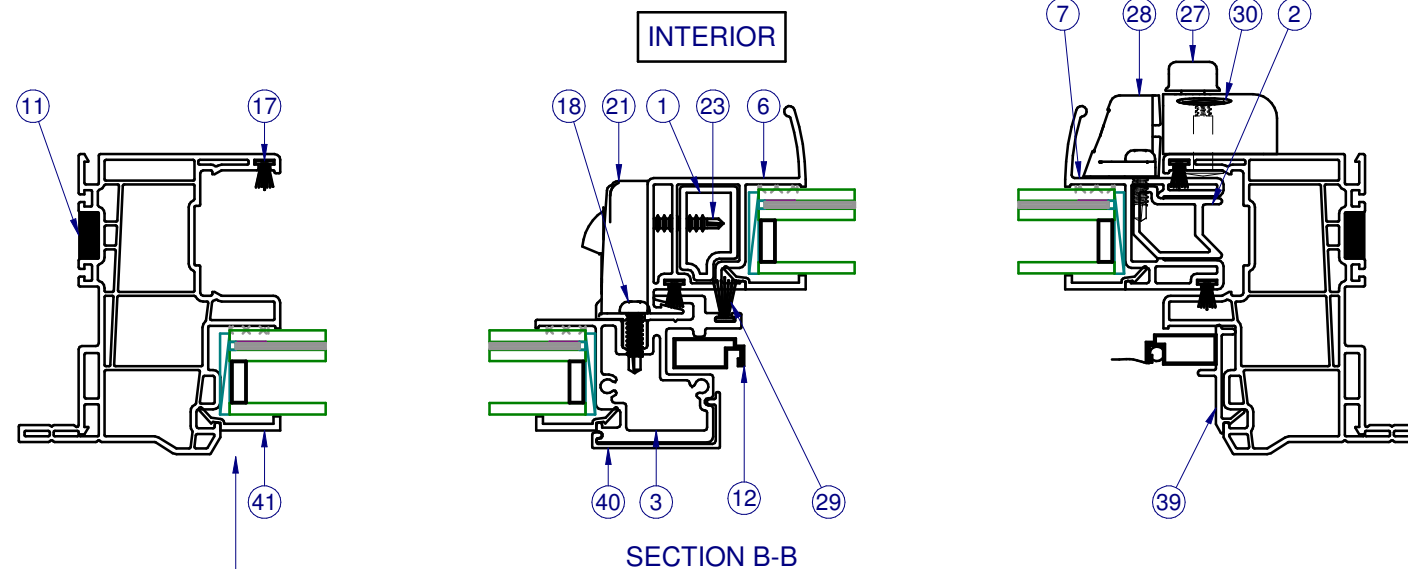
REVISIONS



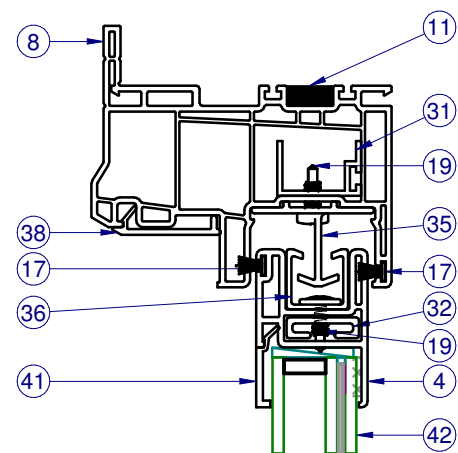
LUCAS A. TURNER, P.E.
FL PE # 58201
1239 JABARA AVE.
NORTH PORT, FL 34288
PH. 941-380-1574

SHEET DESCRIPTION:
**SECTION VIEWS AND
GLAZING DETAIL**

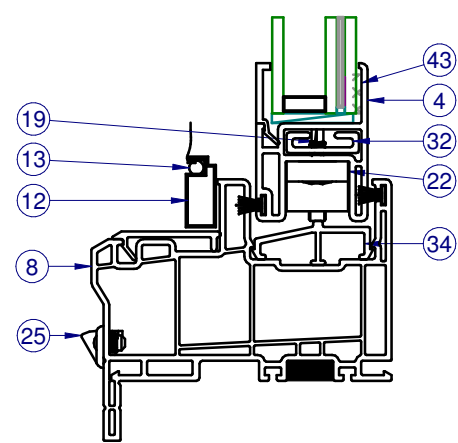
DRAWN BY: ADE	DATE: 10/10/13
DWG #: CWS-871	REV.: B
SCALE: 1:2	SHEET 2 OF 5



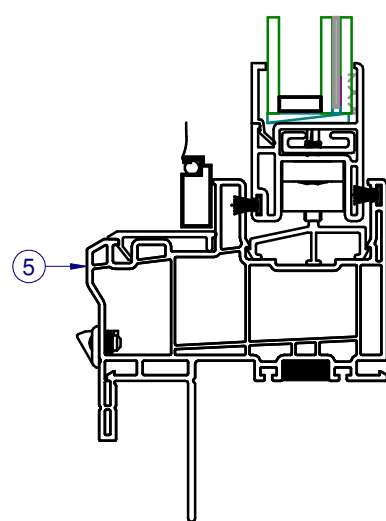
NOTE: FIXED LITE AT HEAD AND SILL IS SIMILAR.



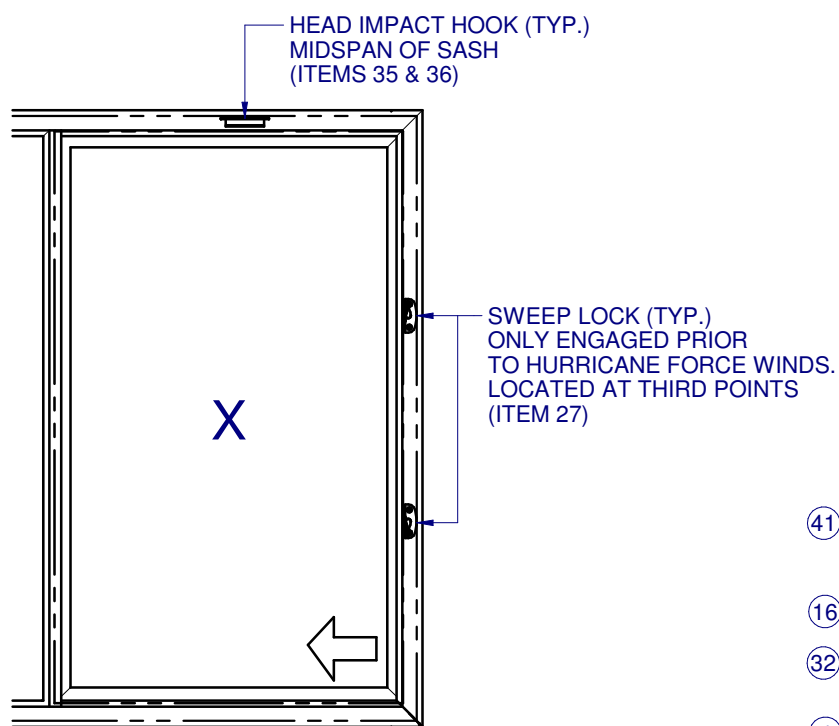
INTERIOR



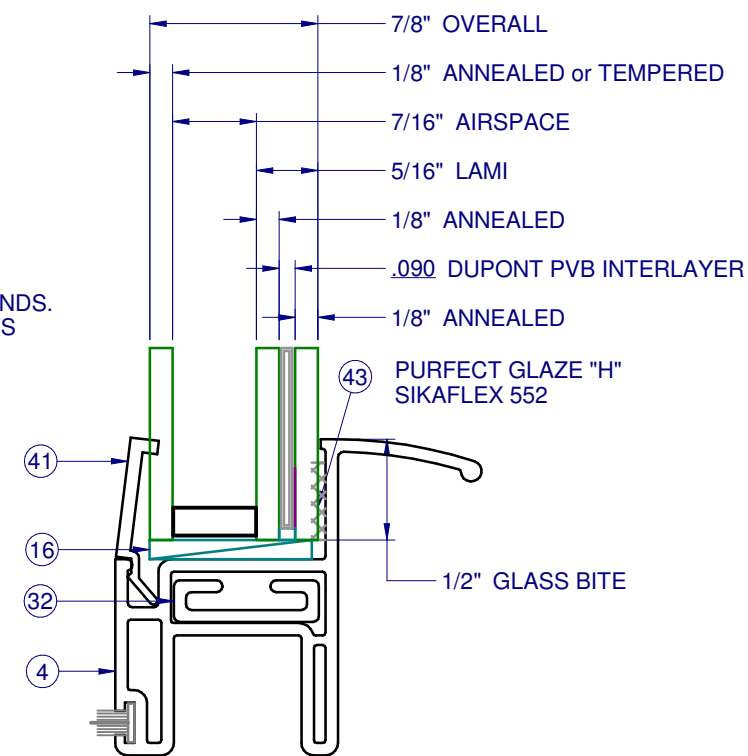
SECTION A-A



SECTION C-C
ALTERNATE FIN FRAME



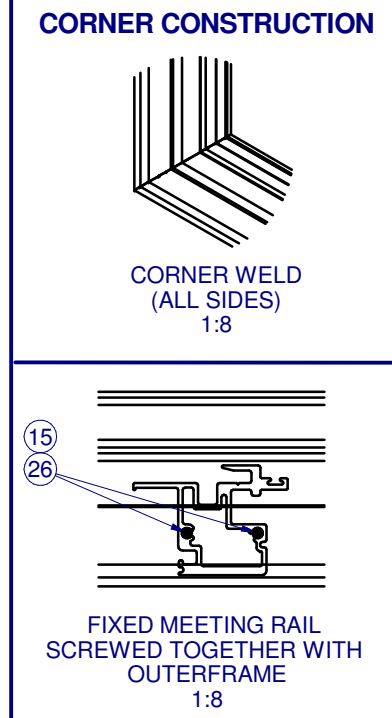
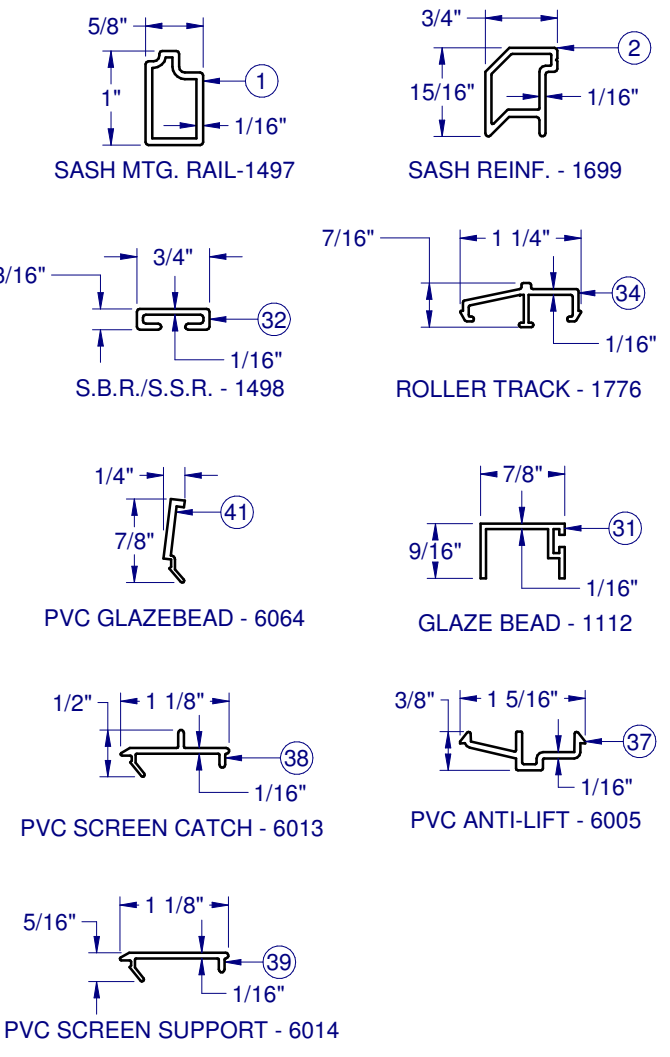
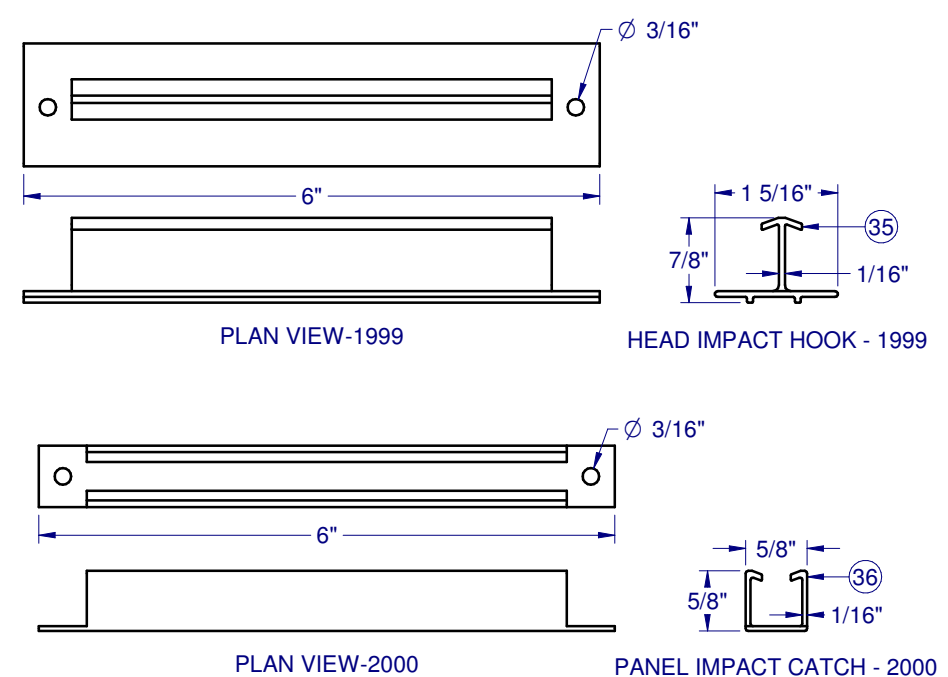
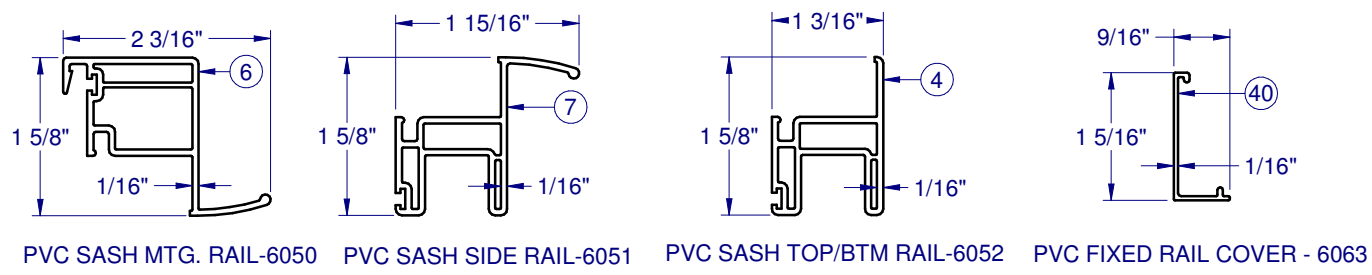
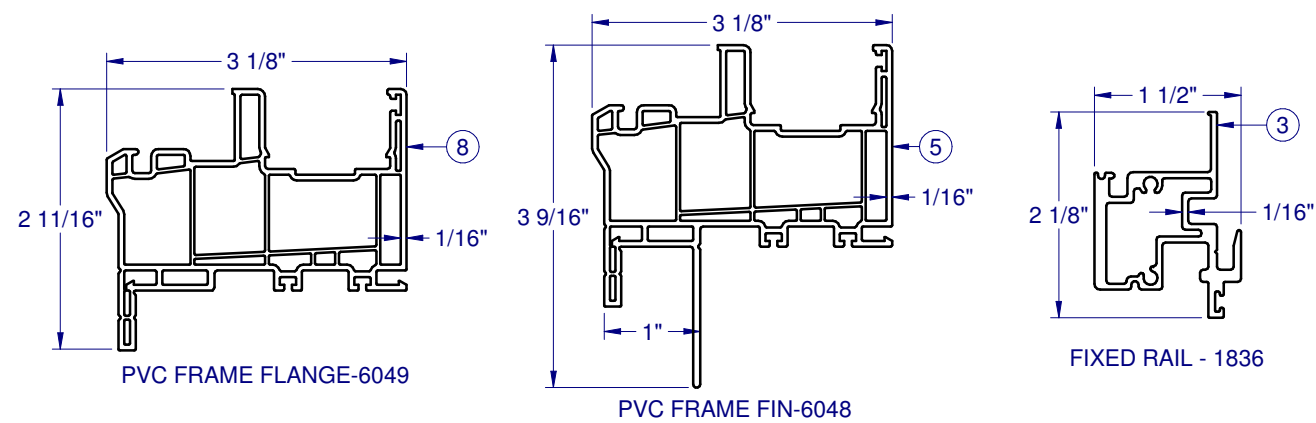
HEAD IMPACT HOOK AND
JAMB SWEEP LOCK LOCATIONS
1:20



GLASS TYPE A
1:1

PARTS LIST

ITEM	PART #	DESCRIPTION	VENDOR	MATERIAL
1	H-1497	Reinf. Sash Meet. Rail	Keymark	Alum
2	H-1699	Reinf. S.B.R./S.S.R,	Keymark	Alum
3	H-1836	Meet. Rail, Fxd.	Keymark	Alum
4	H-6052	Sash Top/Bot. Rail	Mikron	PVC
5	H-6048	Main Fr., SH, w/ Fin., PVC	Mikron	PVC
6	H-6050	Sash Meet. Rail, PVC	Mikron	PVC
7	H-6051	Sash Side Rail, PVC	Mikron	PVC
8	H-6049	Main Fr., SH, w/Flg., PVC	Mikron	PVC
9	P-3029	Screen Pull Tab	Summit	
10	P-3033	Screen Spring, SS	Hurley	
11	P-3113	Screw Support, PVC	Team Plastic	Rubber
12	P-3218	Screen Frame	Allmetal	RollForm
13	P-3228	Screen Spline, .155 Dia., Blk.	Dapa	
14	P-4754	Screen Frame Corner Key	Allmetal	Nylon
15	P-3342	Seam Sealer, SM-5504	Schnee	Silicone
16	P-3352	Set. Blk., 85 Dur., 1/8" x 5/8" x 2" Lg.	FrankLowe	Rubber
17	P-3429	Wstp., 0.270 x .187 back FinSeal, Gr	Ultrafab	
18	P-3539	#8 x 3/4" Square TEK 2 Zinc	Fastenal	Steel
19	P-4730	#8 x 1/2" Truss PH TEK 2 Zinc	Fastenal	Steel
20	P-3752	Cap Plug, 1/2" Hole	M&M	Nylon
21	P-3783 or P-5250	Spring Lock, Impact, PVC	Interlock	
22	P-4779	Roller, Tandem	M&M	Nylon
23	P-4051	#8 x 1 1/4 Ph FH TEK, Wht.	Fastenal	Steel
24	P-4069	Keeper, Impact, PVC	Interlock	
25	P-4479	Weep Cover w/ Flap	M&M	Nylon
26	P-4638	#8 x 2 1/2 Ph Truss SMS	Ajax	Steel
27	P-4958	Rotary Lock	Sullivan	Zinc
28	P-4952	Keeper, Rotary Lock	Sullivan	Zinc
29	P-4959	Wstp., 0.420 x .187 back FinSeal, Gr	Ultrafab	
30	P-4633	Barrel Fastener	Fastenal	Steel
31	S-1112	Reinforcement, Head	Keymark	Alum
32	S-1498	Reinf. S.B.R./S.S.R,	Keymark	Alum
34	S-1776	Roller Track	Keymark	Alum
35	S-1999	Frame Hook, Head, Impact	Keymark	Alum
36	S-2000	Panel Catch, Head, Impact	Keymark	Alum
37	S-6005	Anti Lift	Mikron	PVC
38	S-6013	Scrn. Adapt., w/ Nib, PVC	Mikron	PVC
39	S-6014	Scrn. Adapt., PVC	Mikron	PVC
40	S-6063	Fixed Rail Cover	Mikron	PVC
41	S-6064	Glazing Bead	Mikron	PVC
42	GLASS	SEE SHEET 2	CARDINAL	GLASS
43		Purfect Glaze "H", SikaFlex 552	Henkel / Sika	Silicone



Custom WINDOW SYSTEMS
 1900 SW 44TH AVE.
 OCALA, FLORIDA 34474
 WWW.CWS.CC

8200 PVC HORZ. SLIDER IMPACT

NO.:	DESCRIPTION:	BY:	DATE:
B	UPDATED PER 2014 FBC	EMK	04/07/15
A	CHANGED EDGE DIST.	ADE	02/24/14



LUCAS A. TURNER, P.E.
 FL PE # 58201
 1239 JABARA AVE.
 NORTH PORT, FL 34288
 PH. 941-380-1574

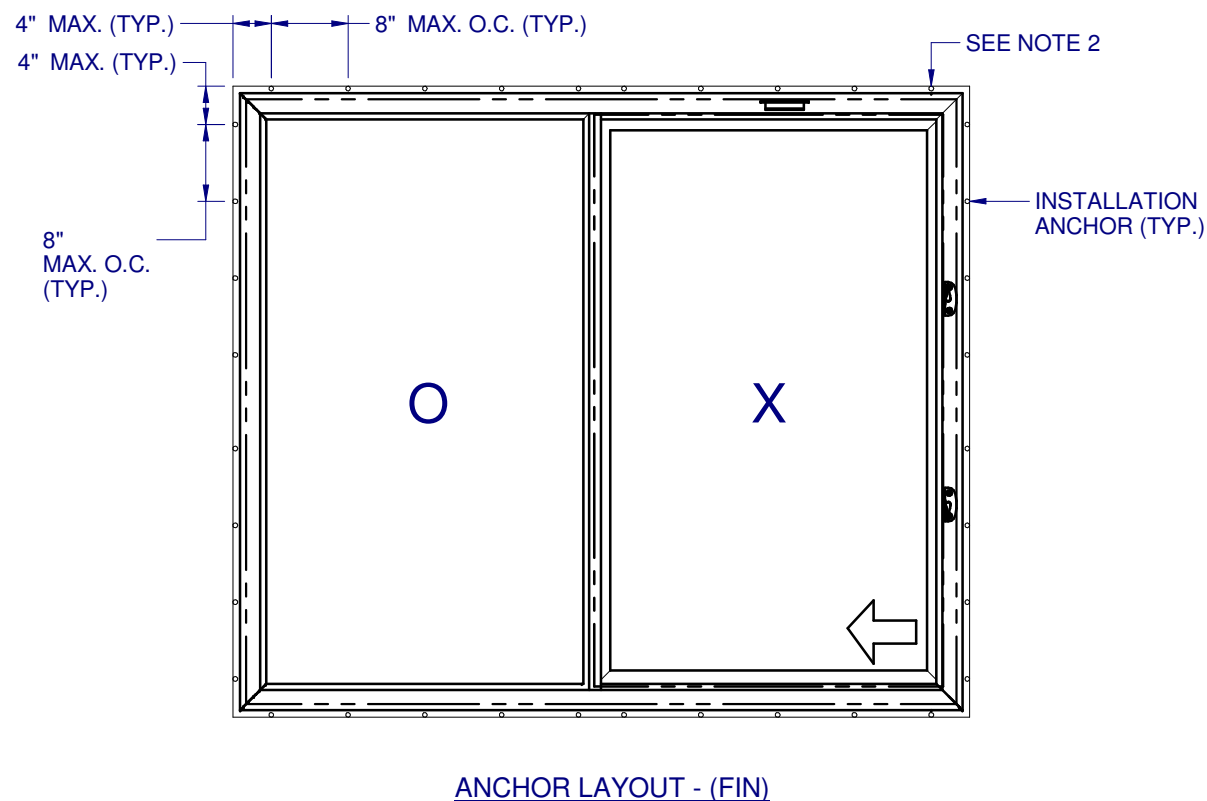
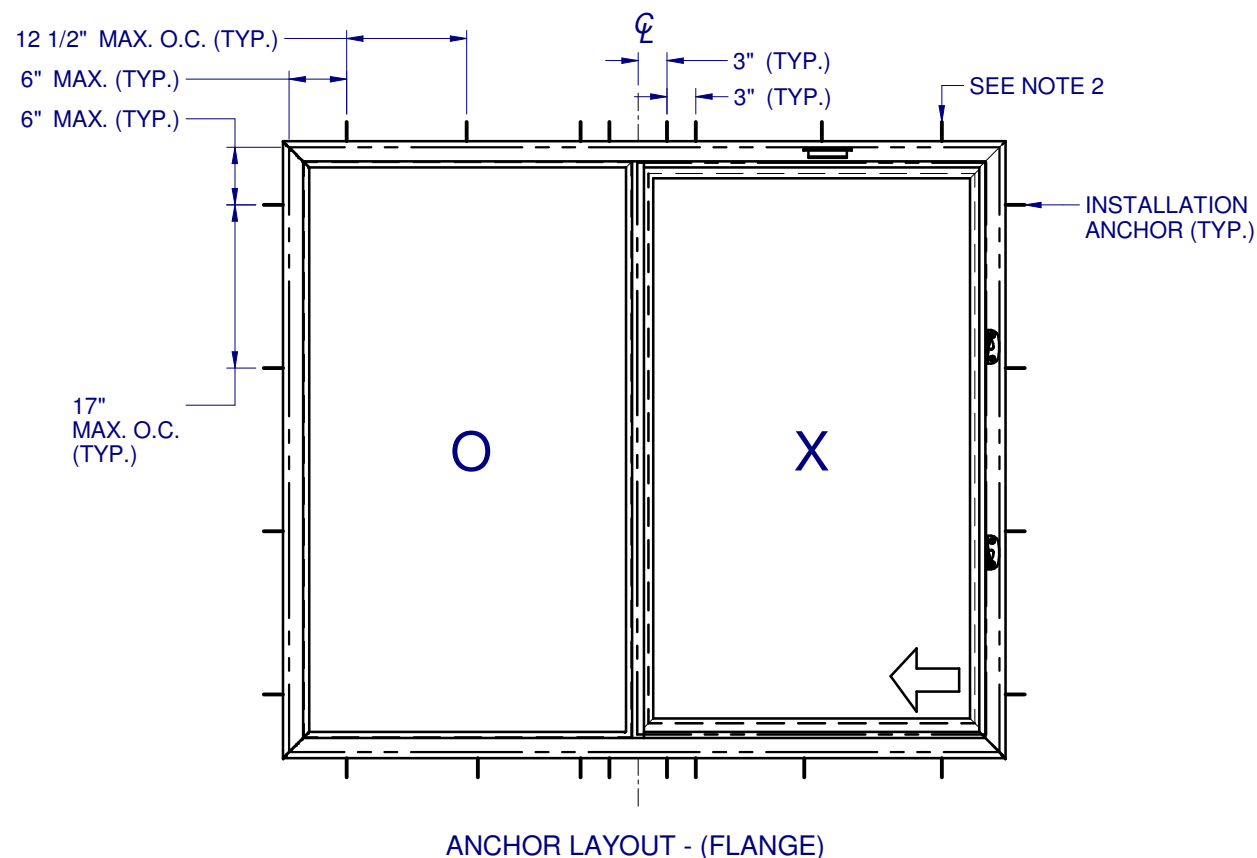
SHEET DESCRIPTION:
BOM AND EXTRUSIONS

DRAWN BY: ADE	DATE: 10/10/13
DWG #: CWS-871	REV.: B
SCALE: 1:2	SHEET 3 OF 5

LINE ITEMS NOT USED:
 33

NOTE: ALL EXTRUSIONS ARE ALUMINUM 6063-T6 UNLESS OTHERWISE NOTED.

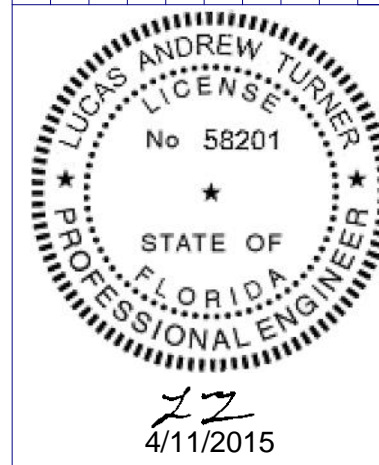
**8200 PVC
HORZ. SLIDER
IMPACT**



NOTES:

1. INSTALL ONE ANCHOR AT EACH INSTALLATION LOCATION. SILL ANCHOR SPACING SAME AS HEAD.
2. SHIM AS REQ AT EACH INSTALLATION ANCHOR USING LOAD BEARING SHIMS. MAX. ALLOWABLE SHIM STACK TO BE 1/4". USE SHIMS WHERE SPACE GREATER THAN 1/16" IS PRESENT. LOAD BEARING SHIMS SHALL BE CONSTRUCTED OF HIGH DENSITY PLASTIC OR BETTER. WOOD SHIMS ARE NOT ALLOWED.
3. ANCHOR TYPE, SIZE, SPACING AND EMBEDMENT SHALL BE AS SPECIFIED IN THESE DRAWINGS, SEE TABLE 1, SHEET 5.
4. ALL INSTALLATION ANCHORS MUST BE MADE OF OR PROTECTED WITH A CORROSION RESISTANT MATERIAL OR COATING. DISSIMILAR METALS OR MATERIALS IN CONTACT WITH PRESSURE TREATED WOOD MUST BE PROTECTED TO PREVENT REACTION.
5. INSTALLATION ANCHORS SHALL BE IN ACCORDANCE WITH ANCHOR MANUFACTURER'S INSTALLATION INSTRUCTIONS, AND ANCHORS SHALL NOT BE USED IN SUBSTRATES WITH STRENGTHS LESS THAN THE MINIMUM SPECIFIED IN TABLE 1, SHEET 5.
6. ANCHOR EMBEDMENT TO SUBSTRATE SHALL BE BEYOND WALL DRESSING OR STUCCO. FOR CONCRETE/CMU OPENINGS, EMBEDMENT SHALL BE BEYOND WOOD BUCKS, IF USED, INTO SUBSTRATE. INSTALLATIONS TO SOLID CONCRETE OR GROUT-FILLED CMU MAY INCLUDE BUT DO NOT REQUIRE 1X WOOD BUCKS BETWEEN THE PRODUCT AND SUBSTRATE. INSTALLATIONS TO HOLLOW CMU REQUIRE THE USE OF 1X BUCKS BETWEEN THE PRODUCT AND SUBSTRATE.
7. A MINIMUM CENTER-TO-CENTER SPACING SHALL BE MAINTAINED BETWEEN ALL FASTENERS: 3" FOR MASONRY, 1" FOR WOOD AND METAL.
8. WOOD OR MASONRY OPENINGS, BUCKS AND BUCK FASTENERS SHALL BE PROPERLY DESIGNED BY THE ARCHITECT OR ENGINEER OF RECORD AND INSTALLED TO TRANSFER WIND LOADS TO THE STRUCTURE. SUBSTRATES SHALL MEET THE MINIMUM STRENGTH REQUIREMENTS AS SHOWN IN TABLE 1, SHEET 5. CONCRETE AND MASONRY SUBSTRATES MAY NOT BE CRACKED.
9. SEALING AND FLASHING STRATEGIES FOR OVERALL WATER RESISTANCE OF INSTALLATION SHALL BE DONE BY OTHERS FOLLOWING THE CURRENT VERSION OF THE REFERENCE DOCUMENTS: FMA/AAMA 100(FIN WINDOWS), FMA/AAMA 200(FLANGE WINDOWS), FMA/WDMA 250(BOX WINDOWS), FMA/AAMA/WDMA 300(EXTERIOR DOORS)

NO.:	DESCRIPTION:	BY:	DATE:
B	UPDATED PER 2014 FBC	EMK	04/07/15
A	CHANGED EDGE DIST.	ADE	02/24/14



LUCAS A. TURNER, P.E.
FL PE # 58201
1239 JABARA AVE.
NORTH PORT, FL 34288
PH. 941-380-1574

SHEET DESCRIPTION:
ANCHOR SCHEDULE AND NOTES

DRAWN BY: ADE	DATE: 10/10/13
DWG #: CWS-871	REV.: B
SCALE: 1:20	SHEET 4 OF 5

**8200 PVC
HORZ. SLIDER
IMPACT**

NO.:	DESCRIPTION:	BY:	DATE:
B	UPDATED PER 2014 FBC	EMK	04/07/15
A	CHANGED EDGE DIST.	ADE	02/24/14

REVISIONS

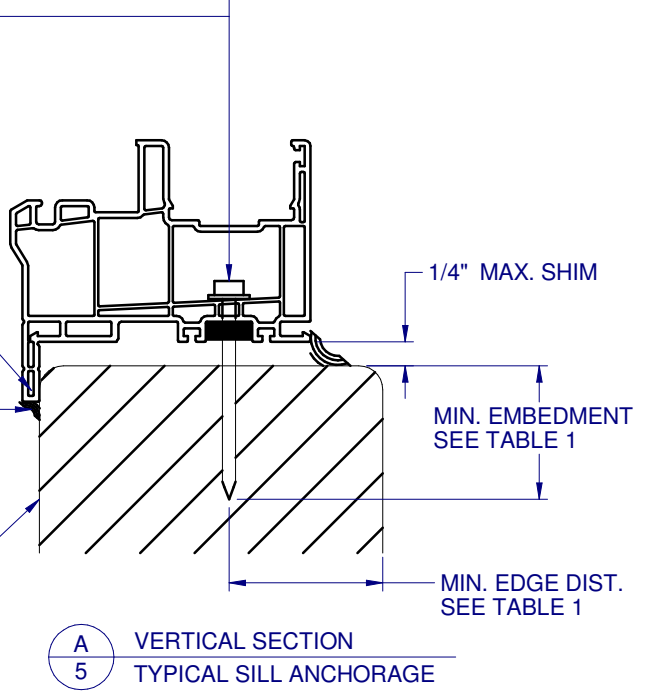
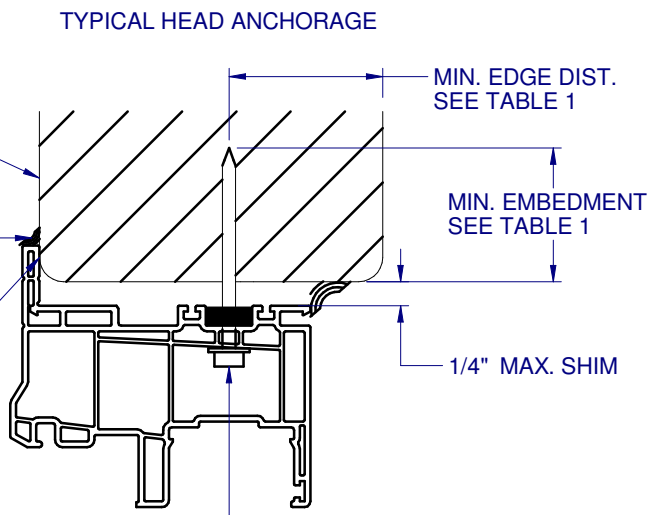


LUCAS A. TURNER, P.E.
FL PE # 58201
1239 JABARA AVE.
NORTH PORT, FL 34288
PH. 941-380-1574

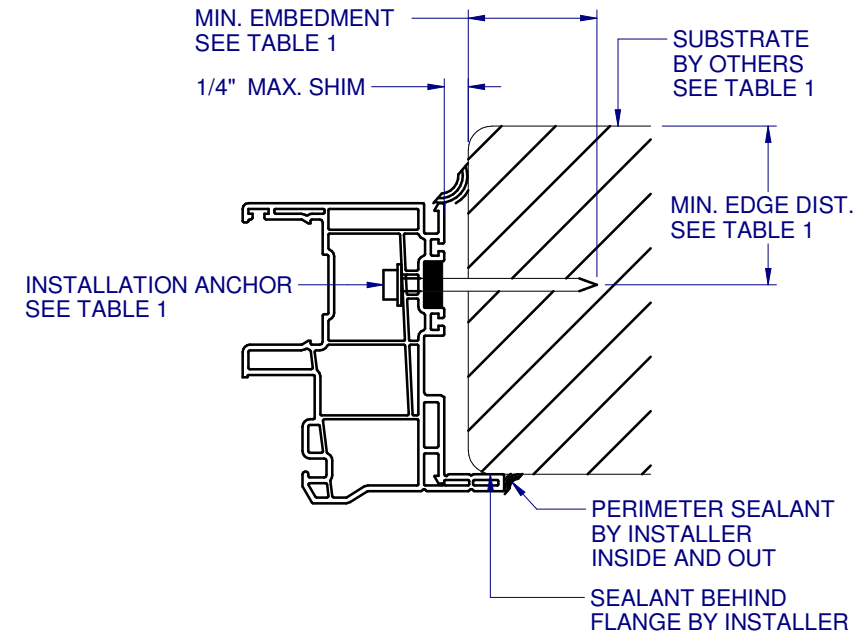
SHEET DESCRIPTION:

INSTALLATION DETAILS

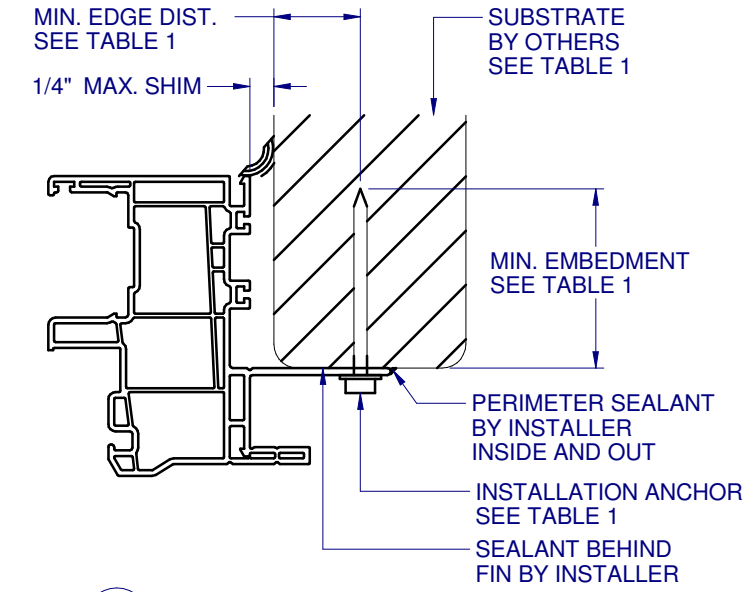
DRAWN BY:	DATE:
ADE	10/10/13
DWG #:	REV.:
CWS-871	B
SCALE:	SHEET
1:2	5 OF 5



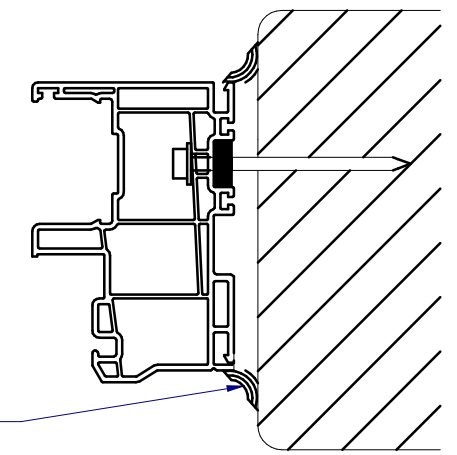
A
5 VERTICAL SECTION
TYPICAL SILL ANCHORAGE



B
5 HORIZONTAL SECTION
TYPICAL JAMB ANCHORAGE



C
5 HORIZONTAL SECTION
TYPICAL FIN ANCHORAGE
HEAD AND SILL SIMILAR FOR FIN INSTALLATION



D
5 HORIZONTAL SECTION
BOX FRAME INSTALLATION
HEAD AND SILL SIMILAR FOR BOX INSTALLATION

TABLE 1: APPROVED INSTALLATION FASTENERS				
FRAME TYPE	SUBSTRATE TYPE	ANCHOR TYPE	MIN. EMBEDMENT	MIN. EDGE DIST.
FLANGE	CONCRETE (2.0 KSI MIN.)	3/16" ITW TAPCON	1-1/2"	1-1/8"
FLANGE	HOLLOW OR GROUT-FILLED CMU (117 PCF MIN.)	3/16" ITW TAPCON	1"	2"
FLANGE	CONCRETE (2.85 KSI MIN.)	3/16" ELCO ULTRACON	1"	1"
FLANGE	GROUT-FILLED CMU (ASTM C-90)	3/16" ELCO ULTRACON	1-1/4"	2-1/2"
FLANGE	2X MIN. SOUTHERN PINE (G=0.55)	3/16" ITW TAPCON OR ELCO ULTRACON	1-3/8"	7/8"
FLANGE	2X MIN. SOUTHERN PINE (G=0.55)	#10 WOOD SCREW	1-3/8"	7/8"
FLANGE	16 GAUGE (0.060") MIN. STEEL STUD (33 KSI YIELD MIN)	#10-16 HILTI KWIK-FLEX OR ITW TEKS SELF-DRILLING SCREW	FULL THREAD THRU 0.060"	7/16"
FLANGE	1/8" ALUM. (6063-T5 MIN.) OR 1/8" STEEL (33 KSI MIN.)	#10 GRADE 5 SELF-TAPPING / DRILLING SCREW	FULL THREAD THRU 0.125"	7/16"
FIN	2X MIN. SOUTHERN PINE (G=0.55)	#8 WOOD SCREW	1-1/2"	1/2"

FLANGE REMOVAL NOTE: PARTIALLY OR FULLY REMOVING THE FLANGE, UP TO AND INCLUDING A BOX-FRAME APPLICATION IS ACCEPTABLE PROVIDED:

- MIN. 1/4" FILLET OF CONSTRUCTION-GRADE ADHESIVE CAULK IS APPLIED INSIDE AND OUT, FULL PERIMETER, BY INSTALLER.
- PRODUCT ANCHORAGE IS IN ACCORDANCE WITH REQUIREMENTS AS SHOWN FOR FLANGE WINDOWS.