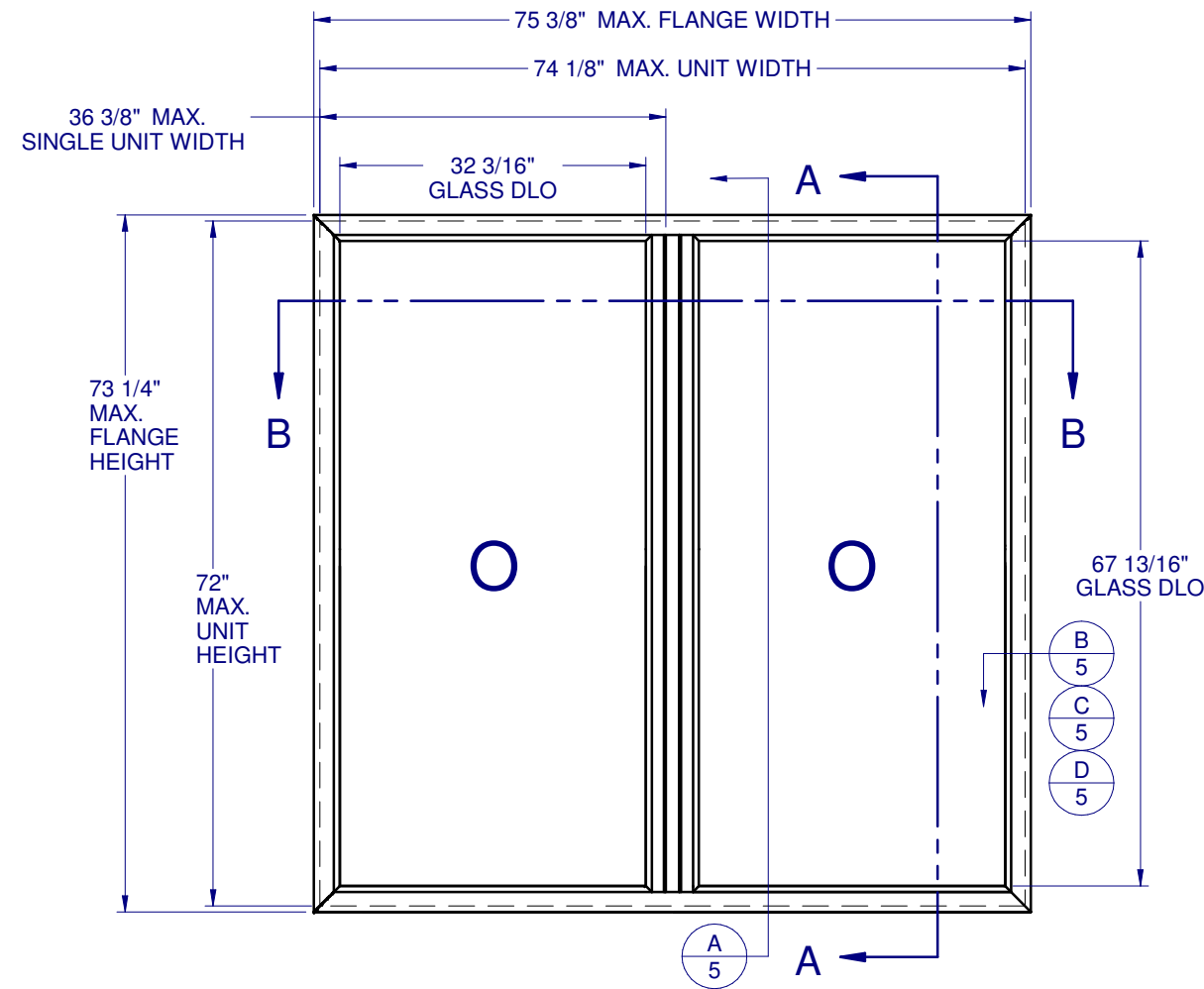


PICTURE WINDOW - LARGE MISSILE IMPACT



GENERAL NOTES:

1. THE PRODUCT SHOWN HEREIN IS DESIGNED AND MANUFACTURED TO COMPLY WITH THE FLORIDA BUILDING CODE (FBC), CURRENT EDITION INCLUDING THE HIGH VELOCITY HURRICANE ZONE (HVHZ) AND IS RATED FOR WIND ZONE 4 MISSILE LEVEL D IMPACT USE AS DEFINED IN ASTM E 1996 PER THE FBC.
2. GLAZING OPTIONS: (SEE SHEET 2)
3. CONFIGURATIONS: "O/O".
4. DESIGN PRESSURE RATING:
 - NEGATIVE DESIGN LOADS BASED ON, TESTED PRESSURE AND GLASS TABLES ASTM E-1300-04.
 - POSITIVE DESIGN LOADS BASED ON, TESTED PRESSURE, WATER INFILTRATION TEST PRESSURE AND GLASS TABLES ASTM E-1300-04.
5. ANCHORAGE: THE 33 1/3% STRESS INCREASE HAS NOT BEEN USED IN THE DESIGN OF THIS PRODUCT. SEE SHEET 5 FOR ANCHOR DETAILS. WINDLOAD DURATION FACTOR Cd=1.6 WAS USED FOR WOOD ANCHOR CALCULATIONS.
6. PRODUCT APPROVED FOR IMPACT RESISTANCE. SHUTTERS ARE NOT REQUIRED.
7. ALL FRAMES FULLY WELDED. SMALL JOINT SEAM SEALANT USED AT INTERNAL MULL.
8. SERIES / MODEL DESIGNATION PW-8150 CONTINUOUS FRAME.
9. THE DESIGNATION X AND O STAND FOR THE FOLLOWING:
O = FIXED SASH
10. SECTION CALLOUTS APPLY TO ALL ELEVATIONS IN A SIMILAR LOCATION.



1900 SW 44TH AVE.
OCALA, FLORIDA 34474
WWW.CWS.CC

8150 PVC PICTURE WINDOW IMPACT

NO.	DESCRIPTION	BY	DATE
B	UPDATED PER 2014 FBC	EMK	04/10/15
A	UPDATED PER 2010 FBC	TEF	11/26/11



LUCAS A. TURNER, P.E.
FL PE # 58201
1239 JABARA AVE.
NORTH PORT, FL 34288
PH. 941-380-1574

SHEET DESCRIPTION:
GENERAL NOTES AND ELEVATIONS

DRAWN BY: ADE	DATE: 08/18/09
DWG #: CWS-510	REV.: B
SCALE: 1:25	SHEET 1 OF 5

TABLE OF CONTENTS

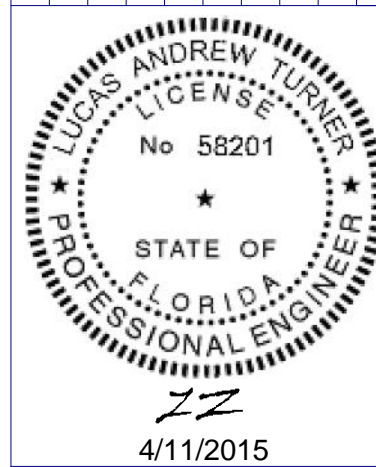
- GENERAL NOTES & ELEVATIONS.....1
- SECTION VIEWS & GLAZING.....2
- BOM & EXTRUSIONS.....3
- ANCHOR SCHEDULE & NOTES.....4
- INSTALLATION DETAILS.....5

LOCATION	MAX. UNIT SIZE	DESIGN PRESSURE RATING	IMPACT RATING
NON-HVHZ	74-1/8" x 72"	+/- 65 PSF	LARGE MISSILE IMPACT
HVHZ		+/- 67.5 PSF	

**8150 PVC
PICTURE WINDOW
IMPACT**

NO.:	DESCRIPTION:	BY:	DATE:
B	UPDATED PER 2014 FBC	EMK	04/10/15
A	UPDATED PER 2010 FBC	TEF	11/26/11

REVISIONS

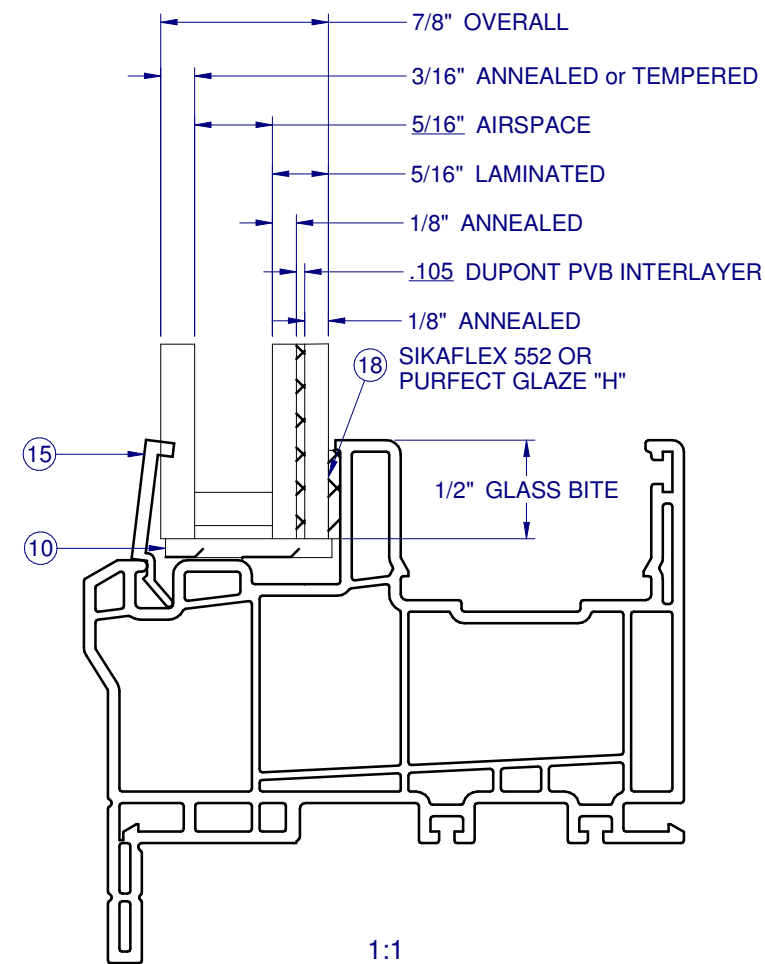
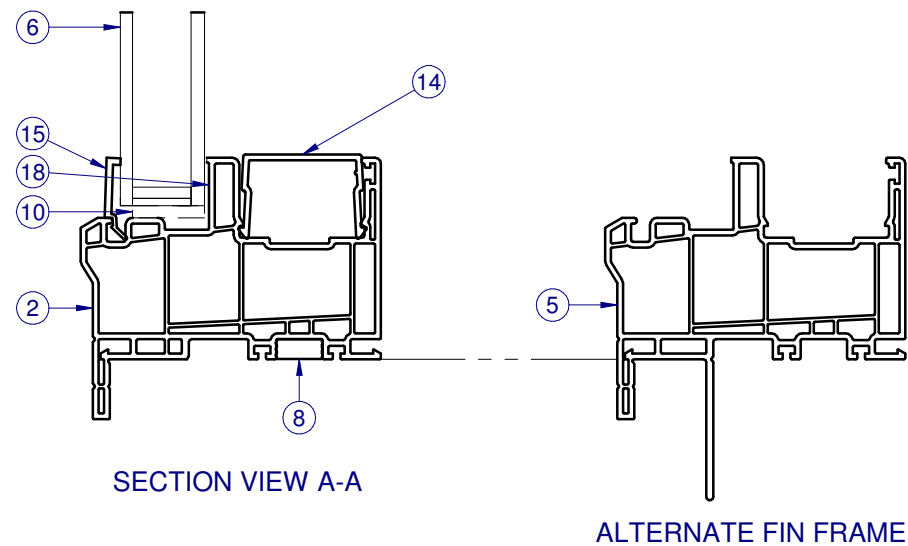
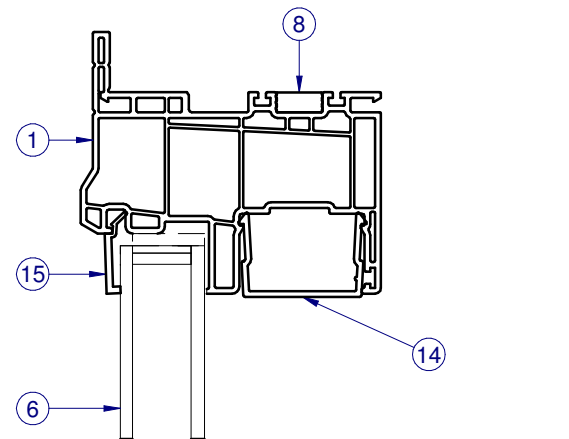
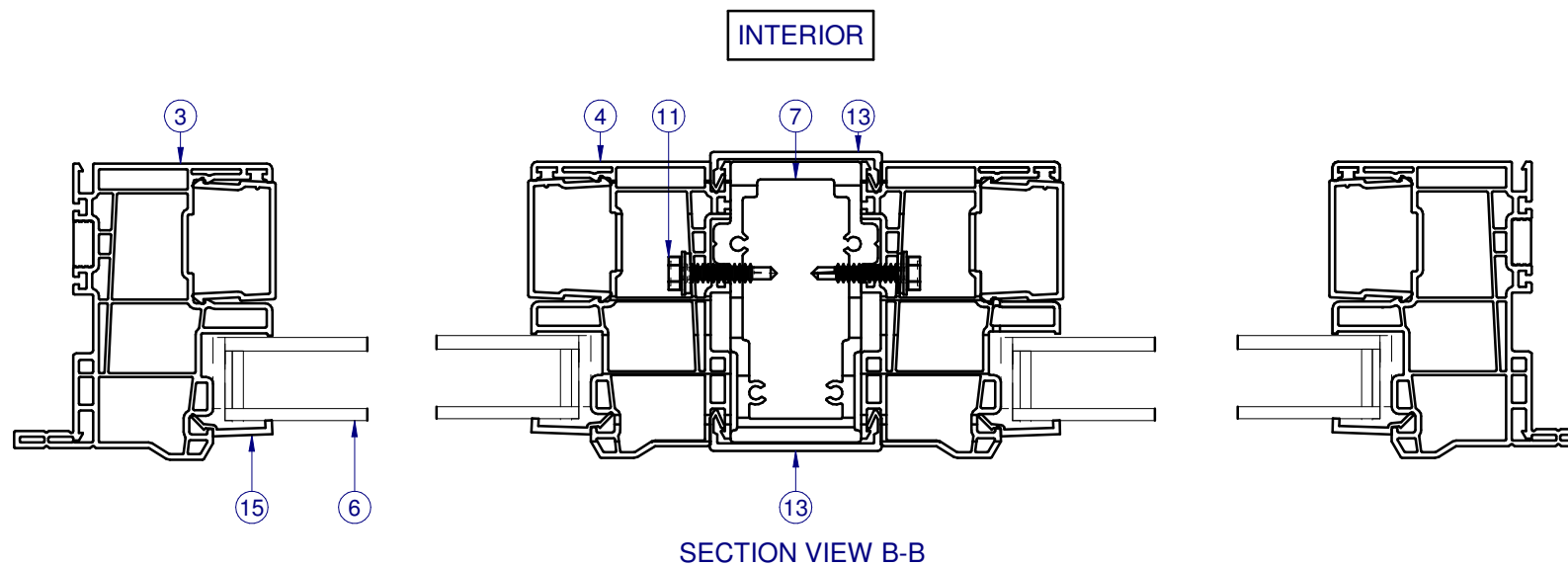


LUCAS A. TURNER, P.E.
FL PE # 58201
1239 JABARA AVE.
NORTH PORT, FL 34288
PH. 941-380-1574

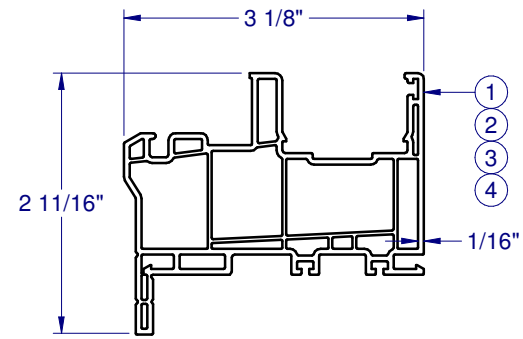
SHEET DESCRIPTION:

**SECTION VIEWS AND
GLAZING DETAIL**

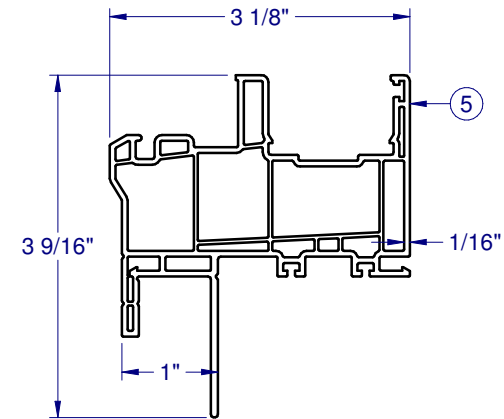
DRAWN BY: ADE	DATE: 08/18/09
DWG #: CWS-510	REV.: B
SCALE: 1:2	SHEET 2 OF 5



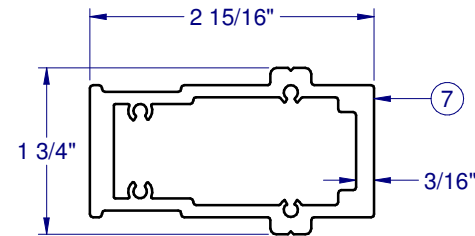
PARTS LIST				
ITEM	PART #	DESCRIPTION	VENDOR	MATERIAL
1	H-6031	Frame Head, Flg.	Mikron	PVC
2	H-6031	Frame Sill, Flg.	Mikron	PVC
3	H-6031	Frame Jamb, Flg.	Mikron	PVC
4	H-6031	Internal Fr.,Jb.	Mikron	PVC
5	H-6026	Frame, Fin	Mikron	PVC
6	GLASS	SEE SHEET 2		
7	H-1727	Internal Mullbar	Keymark	Alum
8	P-3113	Screw Support, PVC	Team Plastics	Nylon
9	P-3342	Seam Sealer, SM-5504	Schnee	
10	P-3352	Set. Blk. 1/8" x 5/8" x 2"	Frank Lowe	Rubber
11	P-3767	#10 x 1 Hex Head Tek	Fastenal	Steel
12	P-4638	#8 x 2 1/4 Square Modified Truss	Fastenal	Steel
13	S-6018	Mullbar Cover	Mikron	PVC
14	S-6025	Sash Stop / Filler	Mikron	PVC
15	S-6064	Glazing Bead	Mikron	PVC
16		#10 x 1 1/2" Panhead SMS	Fastenal	Steel
17		Flat Washer	Fastenal	Steel
18		SikaFlex 552 or Purfect Glaze "H"	Sika/Henkel	



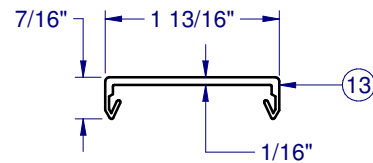
PVC FRAME FLANGE
H-6031



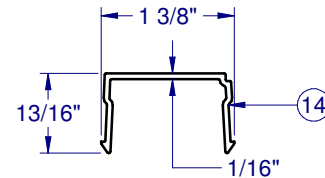
PVC FRAME FIN
H-6026



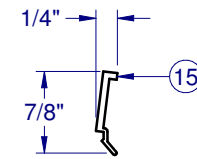
INTERNAL MULLBAR
H-1727



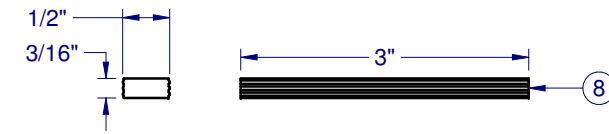
PVC MULLBAR COVER
S-6018



PVC SASH STOP
S-6025

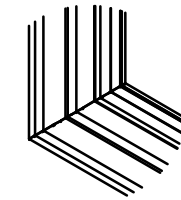


PVC GLAZE BEAD
S-6064



SCREW SUPPORT
P-3113

FRAME CORNER
CONSTRUCTION



CORNER WELD
(ALL SIDES)
1:8

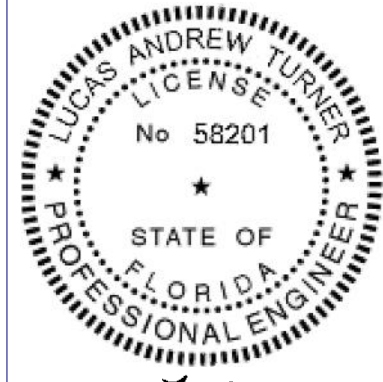
Custom WINDOW SYSTEMS

1900 SW 44TH AVE.
OCALA, FLORIDA 34474
WWW.CWS.CC

8150 PVC
PICTURE WINDOW
IMPACT

NO.	DESCRIPTION	BY	DATE
B	UPDATED PER 2014 FBC	EMK	04/10/15
A	UPDATED PER 2010 FBC	TEF	11/26/11

REVISIONS



22
4/11/2015

LUCAS A. TURNER, P.E.
FL PE # 58201
1239 JABARA AVE.
NORTH PORT, FL 34288
PH. 941-380-1574

SHEET DESCRIPTION:

DP CHART, BOM AND
EXTRUSIONS

DRAWN BY: ADE DATE: 08/18/09

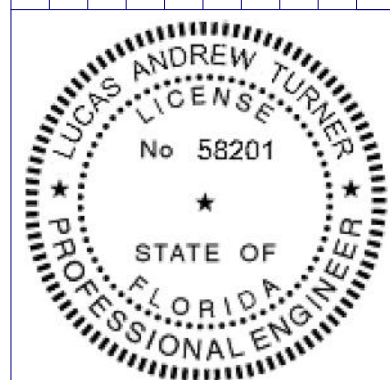
DWG #: CWS-510 REV.: B

SCALE: 1:2 SHEET 3 OF 5

NOTE: ALL EXTRUSIONS ARE ALUMINUM 6063-T6 UNLESS OTHERWISE NOTED.

**8150 PVC
PICTURE WINDOW
IMPACT**

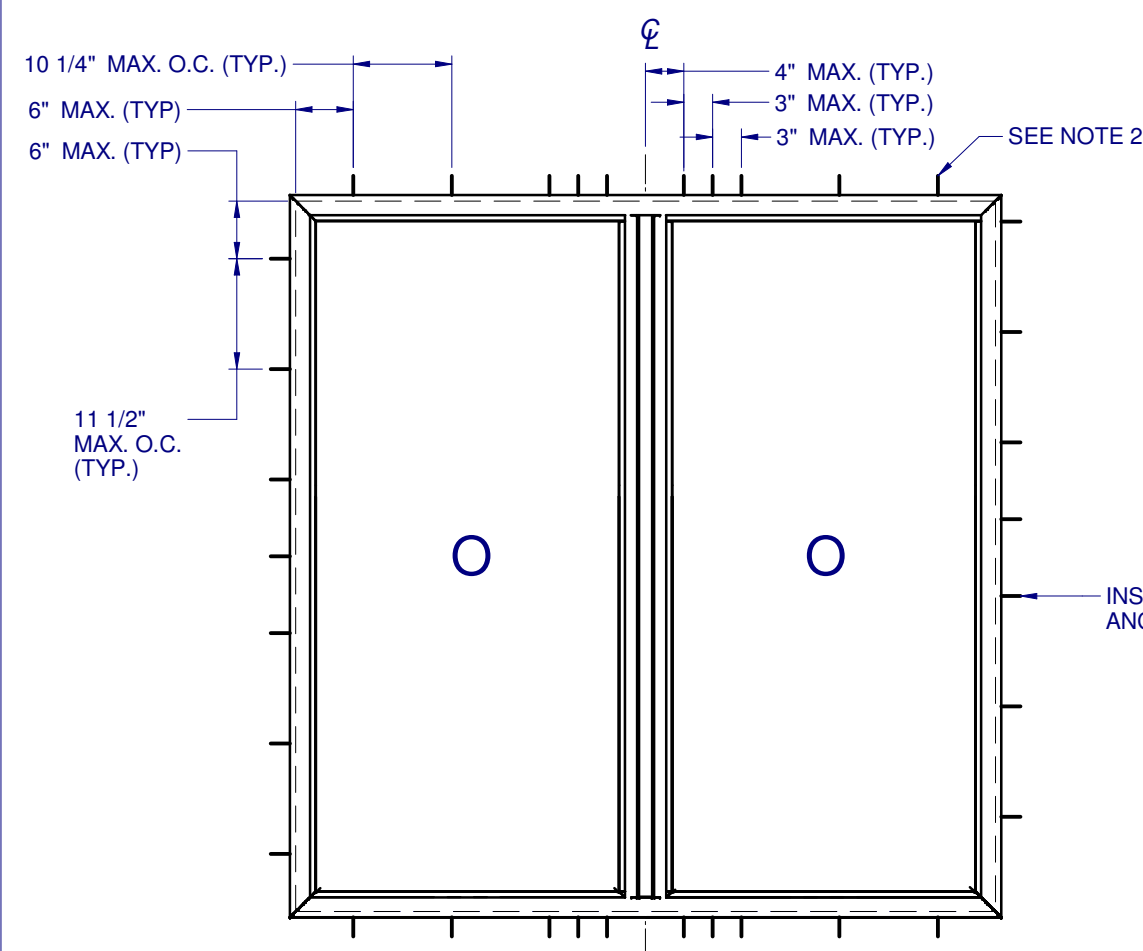
NO.	DESCRIPTION	BY	DATE
B	UPDATED PER 2014 FBC	EMK	04/10/15
A	UPDATED PER 2010 FBC	TEF	11/26/11



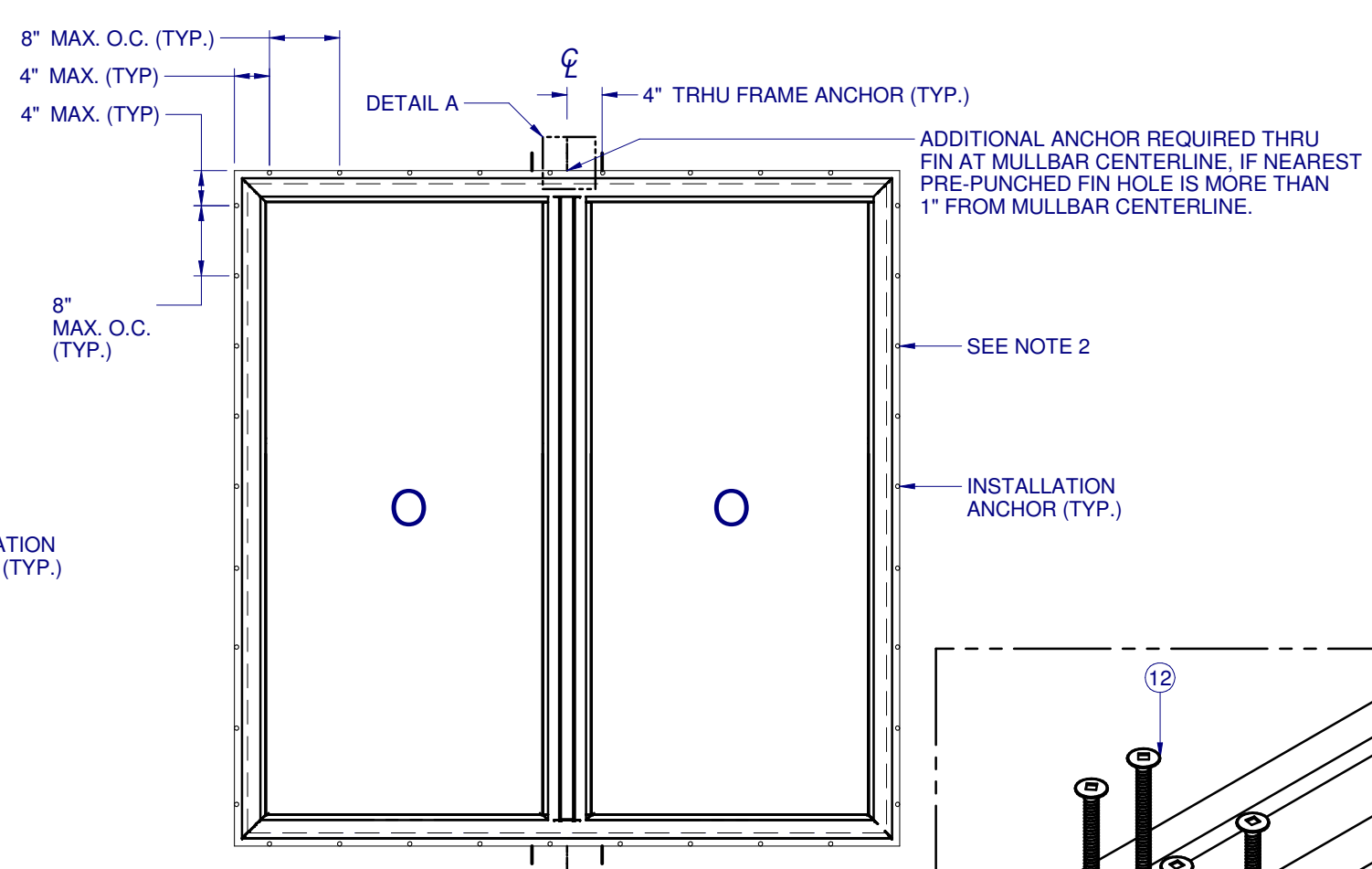
LT
4/11/2015
LUCAS A. TURNER, P.E.
FL PE # 58201
1239 JABARA AVE.
NORTH PORT, FL 34288
PH. 941-380-1574

SHEET DESCRIPTION:
ANCHOR SCHEDULE AND NOTES

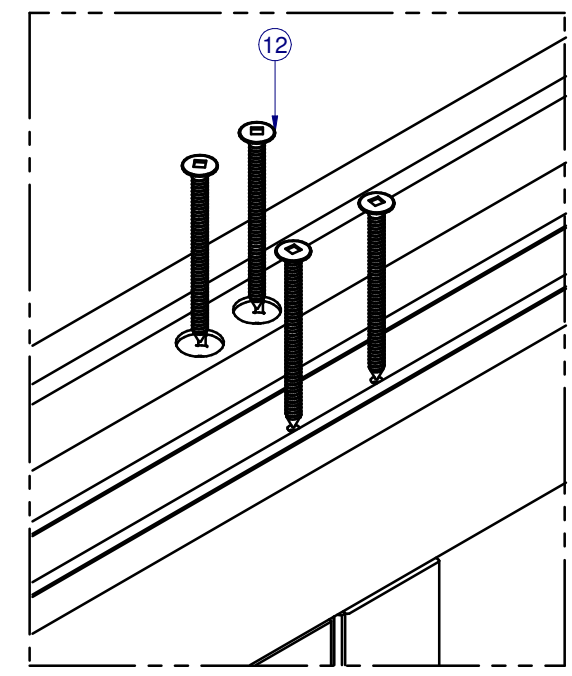
DRAWN BY: ADE	DATE: 08/18/09
DWG #: CWS-510	REV.: B
SCALE: 1:20	SHEET 4 OF 5



ANCHOR LAYOUT - (FLANGE)



ANCHOR LAYOUT - (FIN)



DETAIL A
INTERNAL MULL ATTACHMENT

- NOTES:
1. INSTALL ONE ANCHOR AT EACH INSTALLATION LOCATION. SILL ANCHOR SPACING SAME AS HEAD. SEAL CORNERS AND INTERNAL MULL WITH SMALL JOINT SEAM SEALANT.
 2. SHIM AS REQ AT EACH INSTALLATION ANCHOR USING LOAD BEARING SHIMS. MAX. ALLOWABLE SHIM STACK TO BE 1/4". USE SHIMS WHERE SPACE GREATER THAN 1/16" IS PRESENT. LOAD BEARING SHIMS SHALL BE CONSTRUCTED OF HIGH DENSITY PLASTIC OR BETTER. WOOD SHIMS ARE NOT ALLOWED.
 3. ANCHOR TYPE, SIZE, SPACING AND EMBEDMENT SHALL BE AS SPECIFIED IN THESE DRAWINGS, SEE TABLE 1, SHEET 5.
 4. ALL INSTALLATION ANCHORS MUST BE MADE OF OR PROTECTED WITH A CORROSION RESISTANT MATERIAL OR COATING. DISSIMILAR METALS OR MATERIALS IN CONTACT WITH PRESSURE TREATED WOOD MUST BE PROTECTED TO PREVENT REACTION.
 5. INSTALLATION ANCHORS SHALL BE IN ACCORDANCE WITH ANCHOR MANUFACTURER'S INSTALLATION INSTRUCTIONS, AND ANCHORS SHALL NOT BE USED IN SUBSTRATES WITH STRENGTHS LESS THAN THE MINIMUM SPECIFIED IN TABLE 1, SHEET 5.
 6. ANCHOR EMBEDMENT TO SUBSTRATE SHALL BE BEYOND WALL DRESSING OR STUCCO. FOR CONCRETE/CMU OPENINGS, EMBEDMENT SHALL BE BEYOND WOOD BUCKS, IF USED, INTO SUBSTRATE. INSTALLATIONS TO SOLID CONCRETE OR GROUT-FILLED CMU MAY INCLUDE BUT DO NOT REQUIRE 1X WOOD BUCKS BETWEEN THE PRODUCT AND SUBSTRATE. INSTALLATIONS TO HOLLOW CMU REQUIRE THE USE OF 1X BUCKS BETWEEN THE PRODUCT AND SUBSTRATE.
 7. A MINIMUM CENTER-TO-CENTER SPACING SHALL BE MAINTAINED BETWEEN ALL FASTENERS: 3" FOR MASONRY, 1" FOR WOOD AND METAL.
 8. WOOD OR MASONRY OPENINGS, BUCKS AND BUCK FASTENERS SHALL BE PROPERLY DESIGNED BY THE ARCHITECT OR ENGINEER OF RECORD AND INSTALLED TO TRANSFER WIND LOADS TO THE STRUCTURE. SUBSTRATES SHALL MEET THE MINIMUM STRENGTH REQUIREMENTS AS SHOWN IN TABLE1, SHEET 5. CONCRETE AND MASONRY SUBSTRATES MAY NOT BE CRACKED.
 9. SEALING AND FLASHING STRATEGIES FOR OVERALL WATER RESISTANCE OF INSTALLATION SHALL BE DONE BY OTHERS FOLLOWING THE CURRENT VERSION OF THE REFERENCE DOCUMENTS: FMA/AAMA 100(FIN WINDOWS), FMA/AAMA 200(FLANGE WINDOWS), FMA/WDMA 250(BOX WINDOWS), FMA/AAMA/WDMA 300(EXTERIOR DOORS)

**8150 PVC
PICTURE WINDOW
IMPACT**

NO.	DESCRIPTION	BY	DATE
B	UPDATED PER 2014 FBC	EMK	04/10/15
A	UPDATED PER 2010 FBC	TEF	11/26/11

REVISIONS



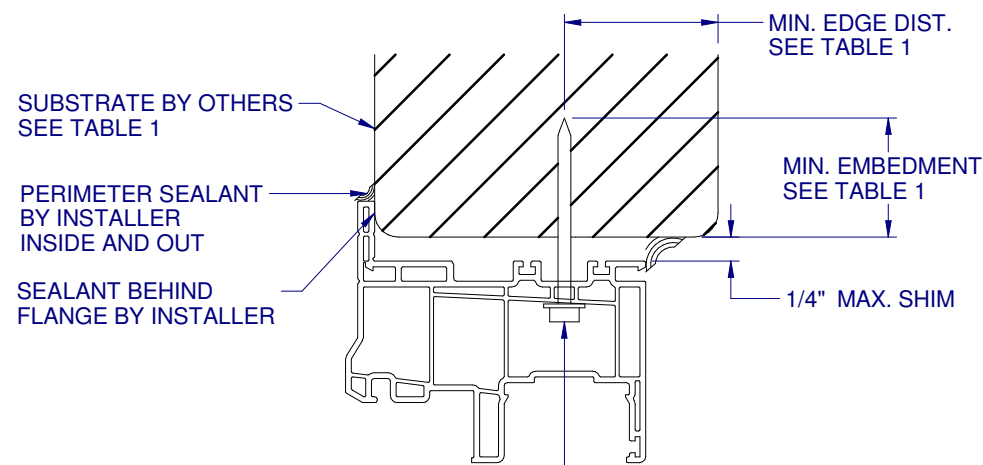
LUCAS A. TURNER, P.E.
FL PE # 58201
1239 JABARA AVE.
NORTH PORT, FL 34288
PH. 941-380-1574

SHEET DESCRIPTION:

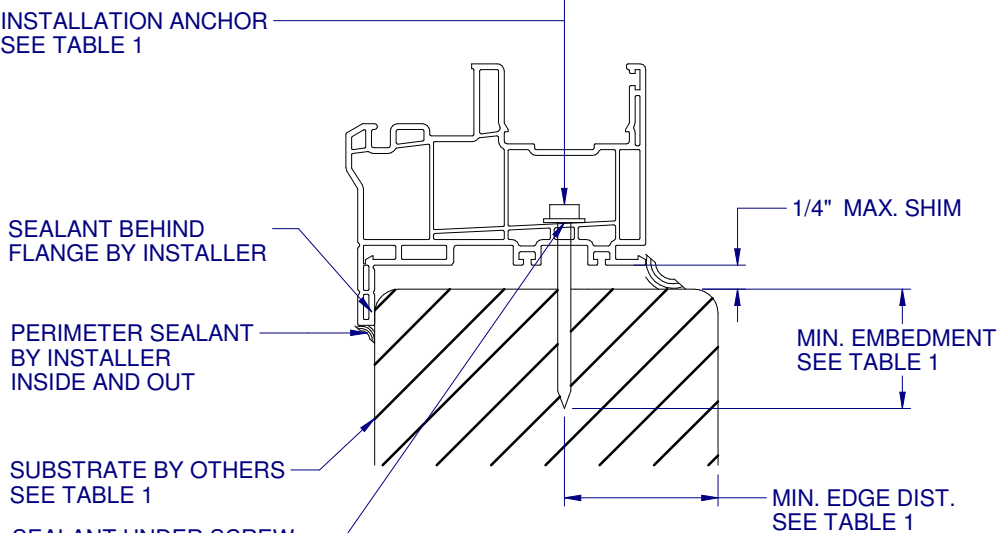
INSTALLATION DETAILS

DRAWN BY:	DATE:
ADE	08/18/09
DWG #:	REV.:
CWS-510	B
SCALE:	SHEET
1:2	5 OF 5

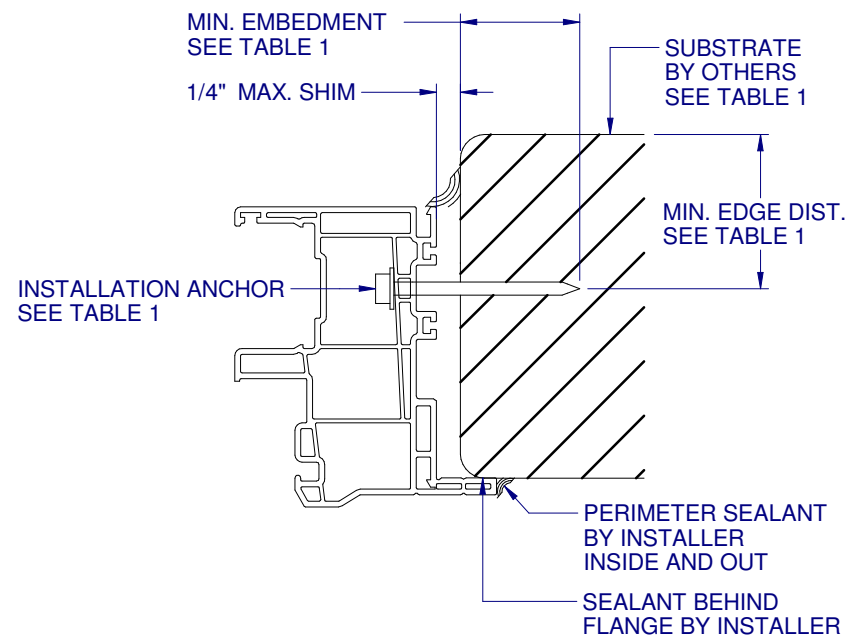
TYPICAL HEAD ANCHORAGE



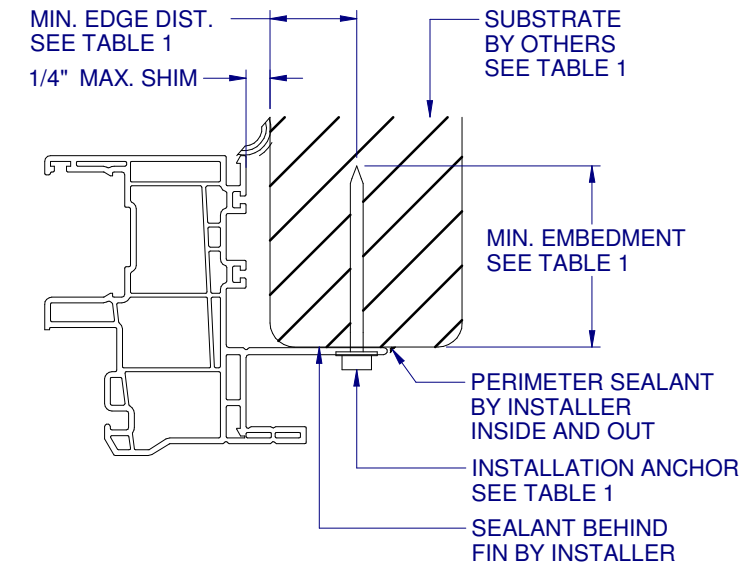
A
5
VERTICAL SECTION
TYPICAL SILL ANCHORAGE



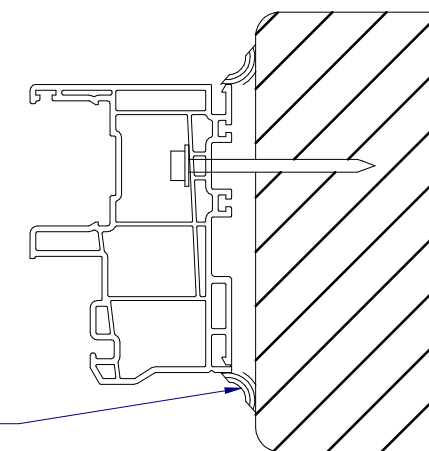
B
5
HORIZONTAL SECTION
TYPICAL JAMB ANCHORAGE



C
5
HORIZONTAL SECTION
TYPICAL FIN ANCHORAGE
HEAD AND SILL SIMILAR FOR FIN INSTALLATION



NOTE: ADDITIONAL THRU-FRAME ANCHORS (AS SHOWN IN DET. A/5) REQ'D AT HEAD AND SILL AT MULLION, SEE SHEET 4 ANCHOR LAYOUT.



D
5
HORIZONTAL SECTION
BOX FRAME INSTALLATION
HEAD AND SILL SIMILAR FOR BOX INSTALLATION

FLANGE REMOVAL NOTE: PARTIALLY OR FULLY REMOVING THE FLANGE, UP TO AND INCLUDING A BOX-FRAME APPLICATION IS ACCEPTABLE PROVIDED:

- MIN. 1/4" FILLET OF CONSTRUCTION-GRADE ADHESIVE CAULK IS APPLIED INSIDE AND OUT, FULL PERIMETER, BY INSTALLER.
- PRODUCT ANCHORAGE IS IN ACCORDANCE WITH REQUIREMENTS AS SHOWN FOR FLANGE WINDOWS.

TABLE 1: APPROVED INSTALLATION FASTENERS

FRAME TYPE	SUBSTRATE TYPE	ANCHOR TYPE	MIN. EMBEDMENT	MIN. EDGE DIST.
FLANGE	CONCRETE (2.0 KSI MIN.)	3/16" ITW TAPCON	1-1/2"	1-1/8"
FLANGE	HOLLOW OR GROUT-FILLED CMU (117 PCF MIN.)	3/16" ITW TAPCON	1"	2"
FLANGE	CONCRETE (2.85 KSI MIN.)	3/16" ELCO ULTRACON	1"	1"
FLANGE	GROUT-FILLED CMU (ASTM C-90)	3/16" ELCO ULTRACON	1-1/4"	2-1/2"
FLANGE	2X MIN. SOUTHERN PINE (G=0.55)	3/16" ITW TAPCON OR ELCO ULTRACON	1-3/8"	7/8"
FLANGE	2X MIN. SOUTHERN PINE (G=0.55)	#10 WOOD SCREW	1-3/8"	7/8"
FLANGE	16 GAUGE (0.060") MIN. STEEL STUD (33 KSI YIELD MIN)	#10-16 HILTI KWIK-FLEX OR ITW TEKS SELF-DRILLING SCREW	FULL THREAD THRU 0.060"	7/16"
FLANGE	1/8" ALUM. (6063-T5 MIN.) OR 1/8" STEEL (33 KSI MIN.)	#10 GRADE 5 SELF-TAPPING / DRILLING SCREW	FULL THREAD THRU 0.125"	7/16"
FIN	2X MIN. SOUTHERN PINE (G=0.55)	#8 WOOD SCREW	1-1/2"	7/16"