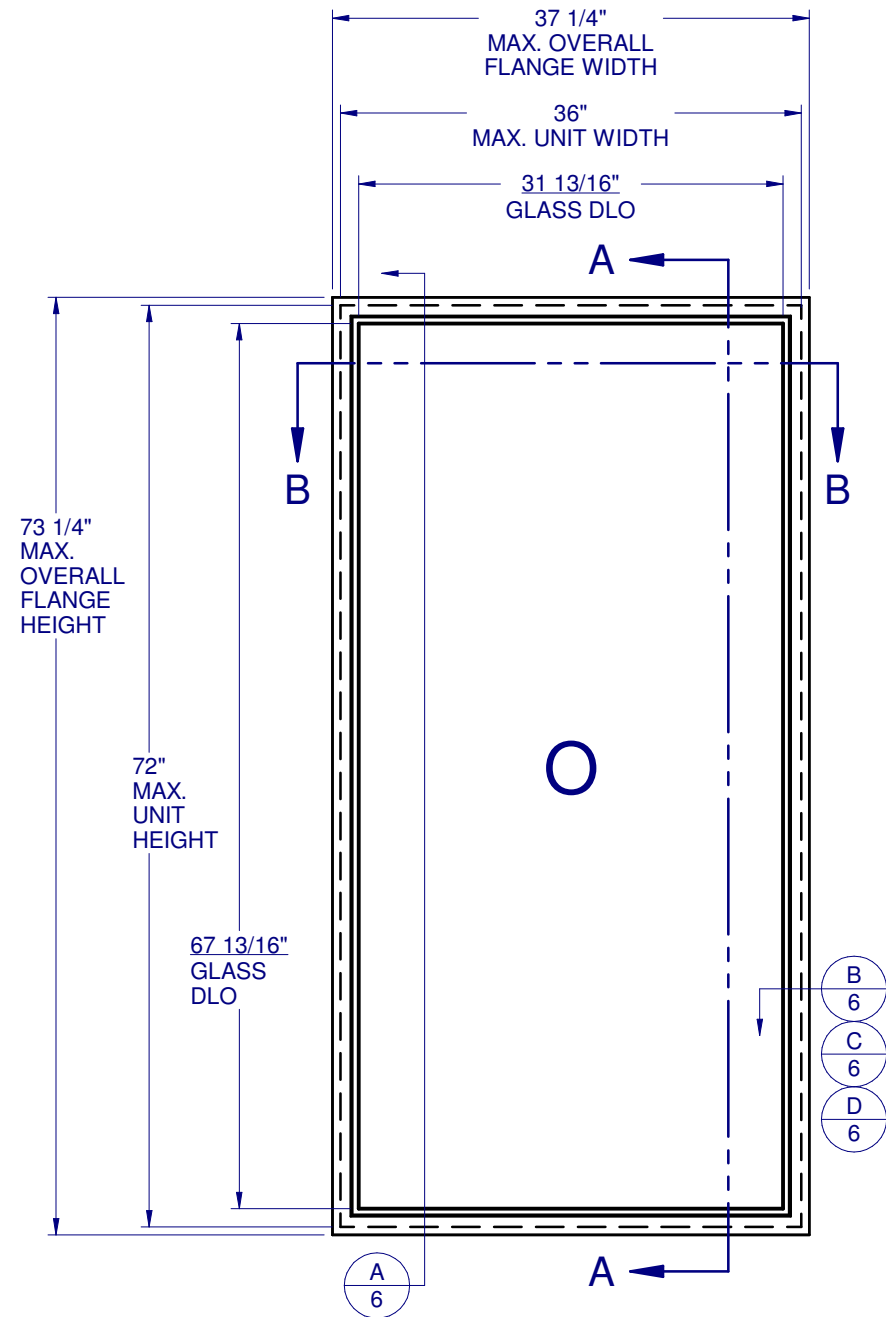


PICTURE WINDOW - LARGE MISSILE IMPACT



GENERAL NOTES:

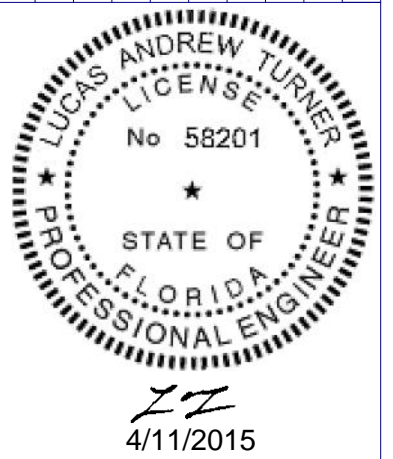
1. THE PRODUCT SHOWN HEREIN IS DESIGNED AND MANUFACTURED TO COMPLY WITH THE FLORIDA BUILDING CODE (FBC), CURRENT EDITION AND IS RATED FOR WIND ZONE 3 MISSILE LEVEL D IMPACT USE AS DEFINED IN ASTM E 1996 PER THE FBC.

THIS PRODUCT MAY NOT BE USED IN THE HIGH VELOCITY HURRICANE ZONE (HVHZ) OR IN ASTM E 1996 WIND ZONE 4 AREAS.
2. GLAZING OPTIONS: (SEE SHEET 3)
3. CONFIGURATIONS: "O". ARCHITECTURAL SHAPES INCLUDE, BUT ARE NOT LIMITED TO, THOSE SHOWN ON SHEET 2.
4. DESIGN PRESSURE RATING:
-NEGATIVE DESIGN LOADS BASED ON, TESTED PRESSURE AND GLASS TABLES ASTM E-1300-04.
-POSITIVE DESIGN LOADS BASED ON, TESTED PRESSURE, WATER INFILTRATION TEST PRESSURE AND GLASS TABLES ASTM E-1300-04.
5. ANCHORAGE: THE 33 1/3% STRESS INCREASE HAS NOT BEEN USED IN THE DESIGN OF THIS PRODUCT. SEE SHEET 6 FOR ANCHOR DETAILS. WINDLOAD DURATION FACTOR Cd=1.6 WAS USED FOR WOOD ANCHOR CALCULATIONS.
6. PRODUCT APPROVED FOR IMPACT RESISTANCE. SHUTTERS ARE NOT REQUIRED.
7. ALL FRAMES ARE FULLY WELDED.
8. SERIES / MODEL DESIGNATION PW-8150.
9. THE DESIGNATION X AND O STAND FOR THE FOLLOWING:
O = FIXED SASH.
10. SECTION CALLOUTS APPLY TO ALL ELEVATIONS IN A SIMILAR LOCATION.

Custom
WINDOW SYSTEMS
1900 SW 44TH AVE.
OCALA, FLORIDA 34474
WWW.CWS.CC

8150 PVC PICTURE WINDOW IMPACT

NO.	DESCRIPTION:	BY:	DATE:
A <td>UPDATED PER 2014 FBC <td>EMK <td>04/10/15 </td></td></td>	UPDATED PER 2014 FBC <td>EMK <td>04/10/15 </td></td>	EMK <td>04/10/15 </td>	04/10/15



LUCAS A. TURNER, P.E.
FL PE # 58201
1239 JABARA AVE.
NORTH PORT, FL 34288
PH. 941-380-1574

SHEET DESCRIPTION:
**GENERAL NOTES AND
ELEVATIONS**

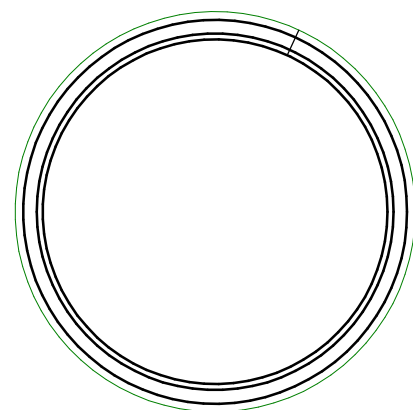
DRAWN BY: EMK	DATE: 10/06/14
DWG #: CWS-1032	REV.: A
SCALE: 1:15	SHEET 1 OF 6

TABLE OF CONTENTS

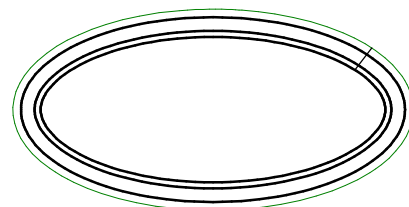
GENERAL NOTES & ELEVATIONS.....	1
ARCHITECTURAL SHAPES.....	2
SECTION VIEWS & GLAZING.....	3
EXTRUSIONS & B.O.M.....	4
ANCHOR SCHEDULE & NOTES.....	5
INSTALLATION DETAILS.....	6

MAX. UNIT SIZE	DESIGN PRESSURE RATING	IMPACT RATING
36" x 72"	+/- 60 PSF	LARGE MISSILE IMPACT

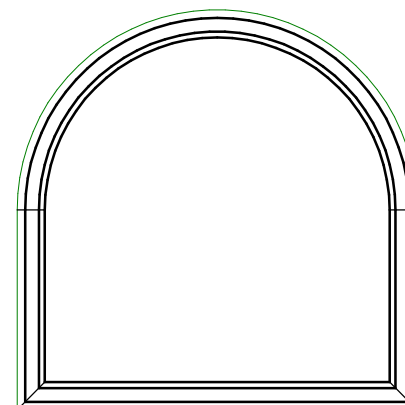
**8150 PVC
PICTURE WINDOW
IMPACT**



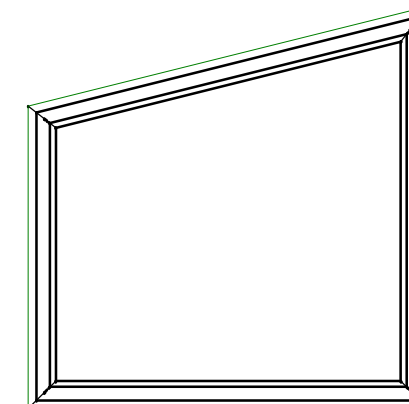
FULL CIRCLE



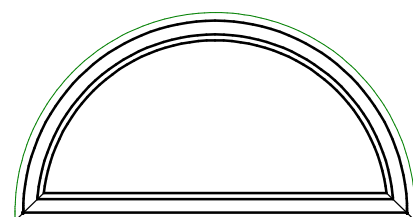
FULL ELLIPSE (OVAL)



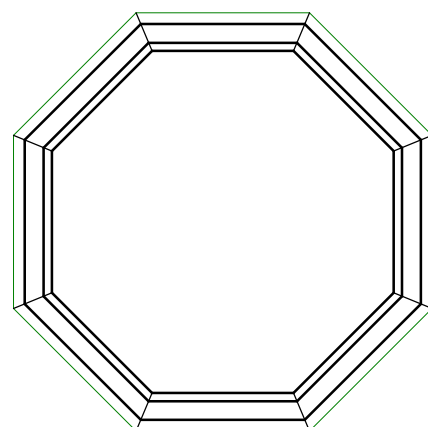
TOMBSTONE



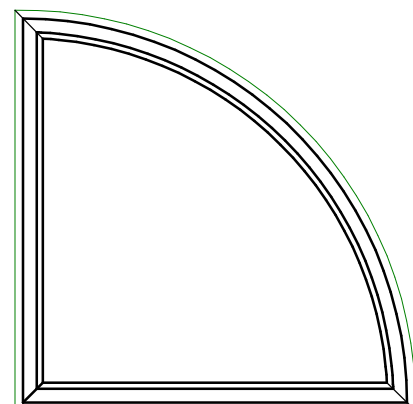
TRAPEZOID



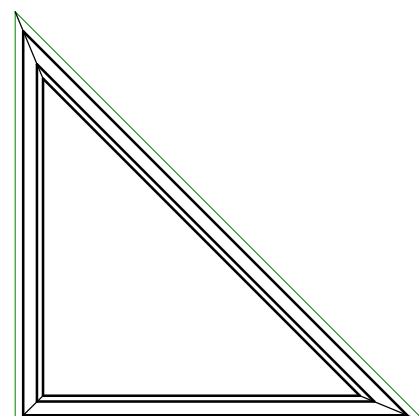
1/2 CIRCLE



OCTAGON



1/4 CIRCLE



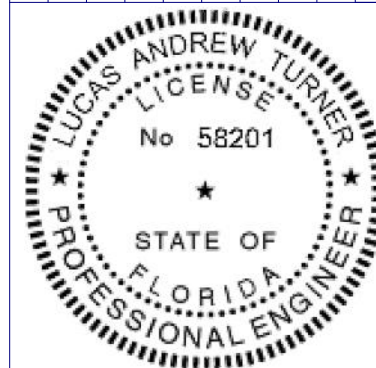
TRIANGLE

NOTES:

1. SEE SHEET 5 FOR DETAILED ANCHOR INSTALLATION REQUIREMENTS.
2. THRU FRAME - MASONRY, WOOD OR METAL OPENING.
THRU FIN - WOOD OPENING.
3. OVERALL SIZE MUST NOT EXCEED THE MAX. WIDTH AND HEIGHT OF RECTANGULAR WINDOW ON SHEET 1.
4. ANCHOR SPACING FOR ARCHITECTURAL FLANGE AND FIN WINDOWS MUST FOLLOW THE LAYOUTS SHOWN ON SHEET 5, WITH ANCHOR SPACING MEASURED ALONG THE LENGTH OF THE PRODUCT.

NO.:	DESCRIPTION:	BY:	DATE:
A	UPDATED PER 2014 FBC	EMK	04/10/15

REVISIONS



22
4/11/2015

LUCAS A. TURNER, P.E.
FL PE # 58201
1239 JABARA AVE.
NORTH PORT, FL 34288
PH. 941-380-1574

SHEET DESCRIPTION:

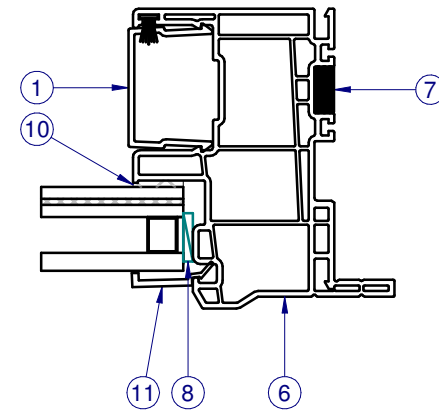
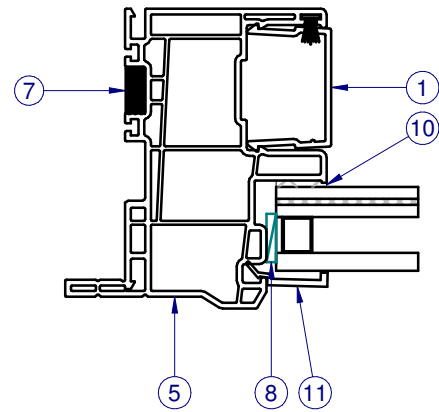
**ARCHITECTURAL
SHAPES**

DRAWN BY:	DATE:
EMK	10/06/14
DWG #:	REV.:
CWS-1032	A
SCALE:	SHEET
1:1	2 OF 6

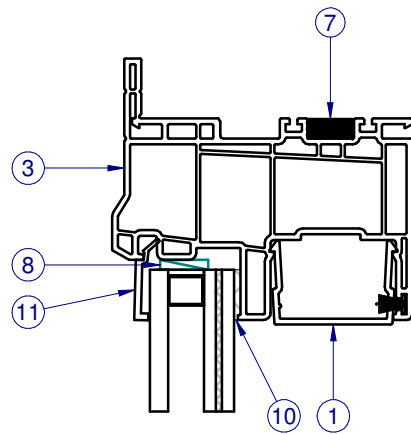
**8150 PVC
PICTURE WINDOW
IMPACT**

						EMK	04/10/15
						BY:	DATE:
						A	UPDATED PER 2014 FBC
						NO.:	DESCRIPTION:
							REVISIONS

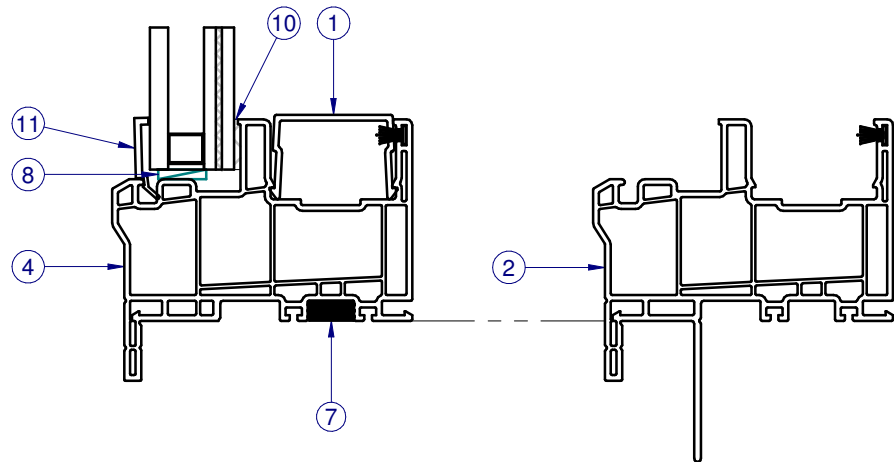
INTERIOR



SECTION VIEW B-B

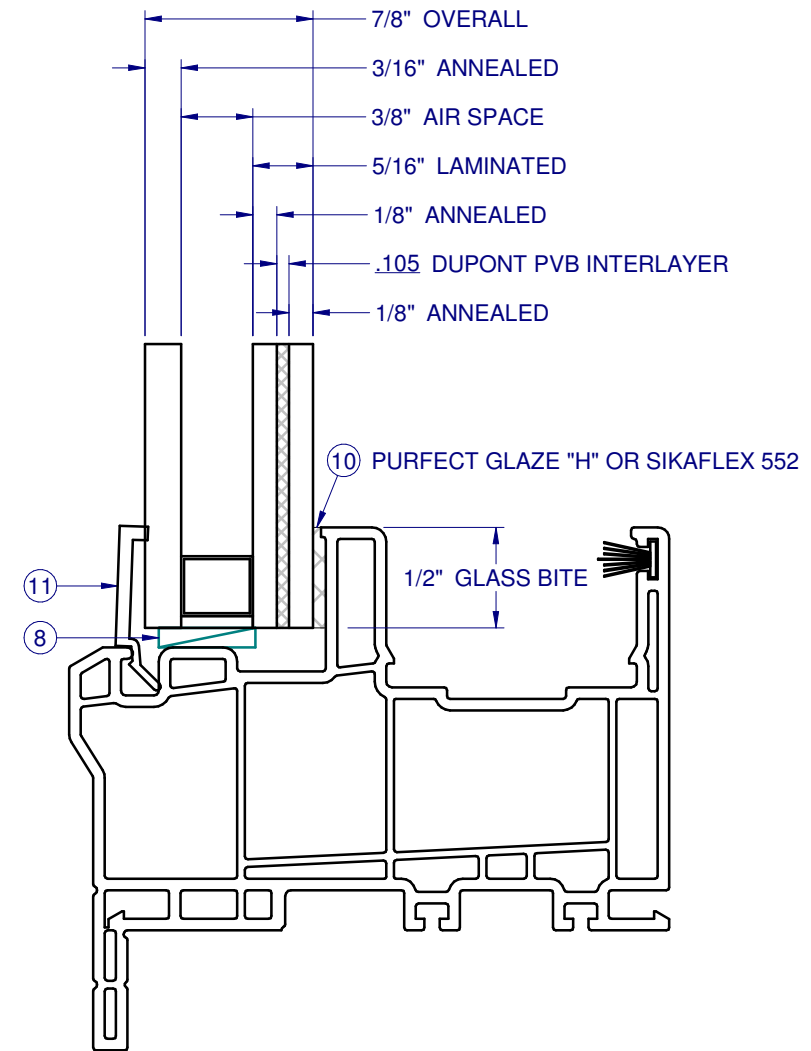


INTERIOR



SECTION VIEW A-A

ALTERNATE FIN FRAME



1:1



LT
4/11/2015

LUCAS A. TURNER, P.E.
FL PE # 58201
1239 JABARA AVE.
NORTH PORT, FL 34288
PH. 941-380-1574

SHEET DESCRIPTION:

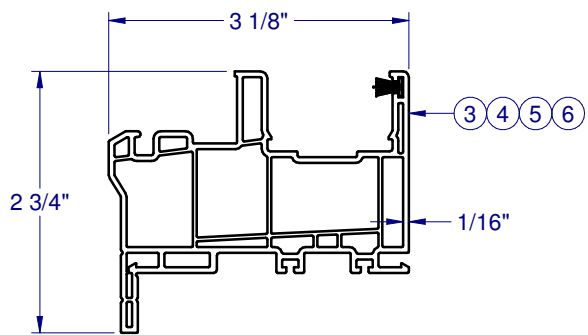
**SECTION VIEWS AND
GLAZING DETAIL**

DRAWN BY:	DATE:
EMK	10/06/14
DWG #:	REV.:
CWS-1032	A
SCALE:	SHEET
1:2	3 OF 6

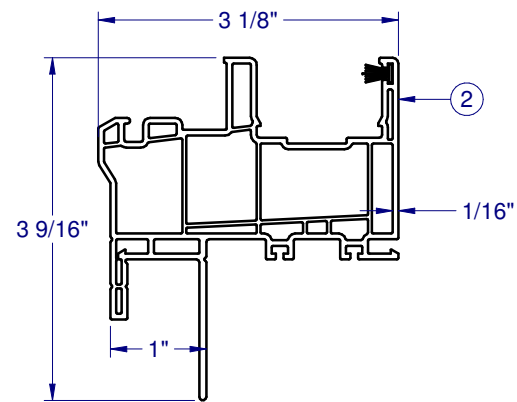
PARTS LIST

ITEM	PART #	DESCRIPTION	VENDOR	MATERIAL
1	H-6025	SASH STOP	MIKRON	PVC
2	H-6048	SINGLE HUNG FIN FRAME	MIKRON	PVC
3	H-6049	SINGLE HUNG FLANGE FRAME HEAD	MIKRON	PVC
4	H-6049	SINGLE HUNG FLANGE FRAME SILL	MIKRON	PVC
5	H-6049	SINGLE HUNG FLANGE FRAME LEFT JAMB	MIKRON	PVC
6	H-6049	SINGLE HUNG FLANGE FRAME RIGHT JAMB	MIKRON	PVC
7	P-3113	SCREW SUPPORT FOR PVC		
8	P-3352	SETTING BLOCK 85 DUROMETER 1/8" x 5/8" x 2" LG.	AMESBURY	FOAM
10	P-4648	SIKAFLEX 552 OR HENKEL PURFECT GLAZE "H"	SIKA / HENKEL	
11	S-6064	GLAZING BEAD (7/8" O.A. I.G.)	FRANK LOWE	RUBBER
12	GLASS	SEE SHEET 3	CARDINAL	GLASS

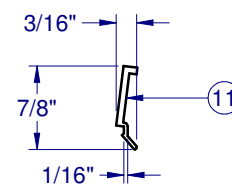
LINE ITEMS NOT USED:
9



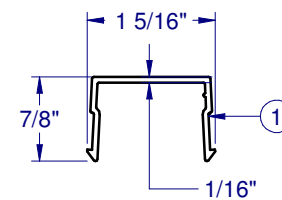
PVC FRAME, FLANGE - H-6049



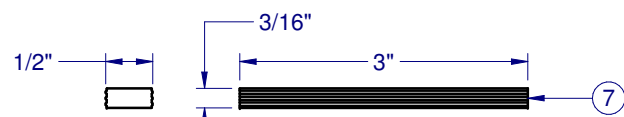
PVC FRAME, FIN - H-6048



PVC GLAZING BEAD - S-6064

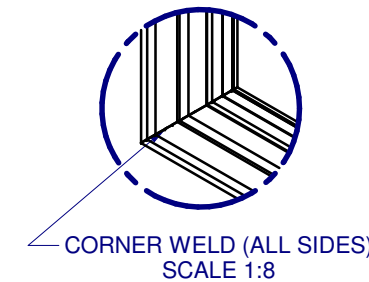


PVC FILLER, SASH STOP - S-6025



SCREW SUPPORT - P-3113

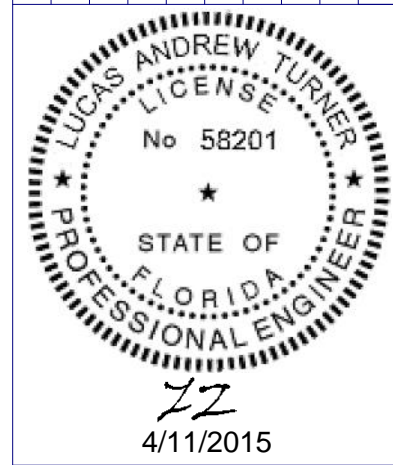
FRAME CORNER CONSTRUCTION



Custom
WINDOW SYSTEMS
1900 SW 44TH AVE.
OCALA, FLORIDA 34474
WWW.CWS.CC

**8150 PVC
PICTURE WINDOW
IMPACT**

NO.:	DESCRIPTION:	BY:	DATE:
A	UPDATED PER 2014 FBC	EMK	04/10/15

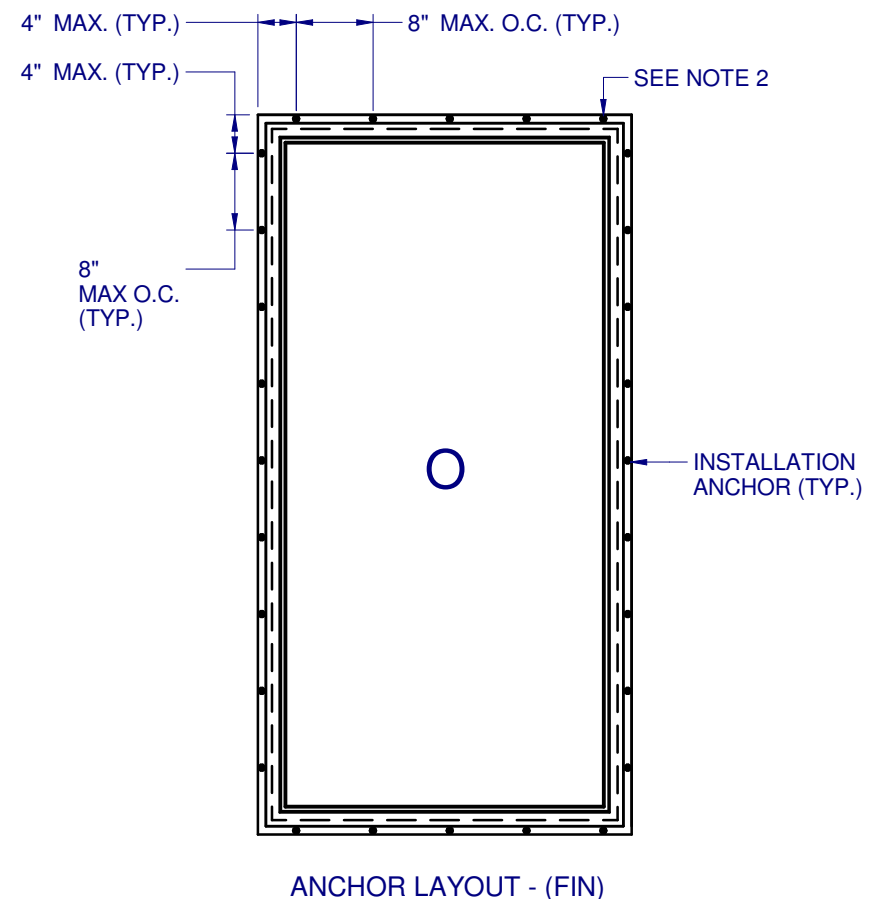
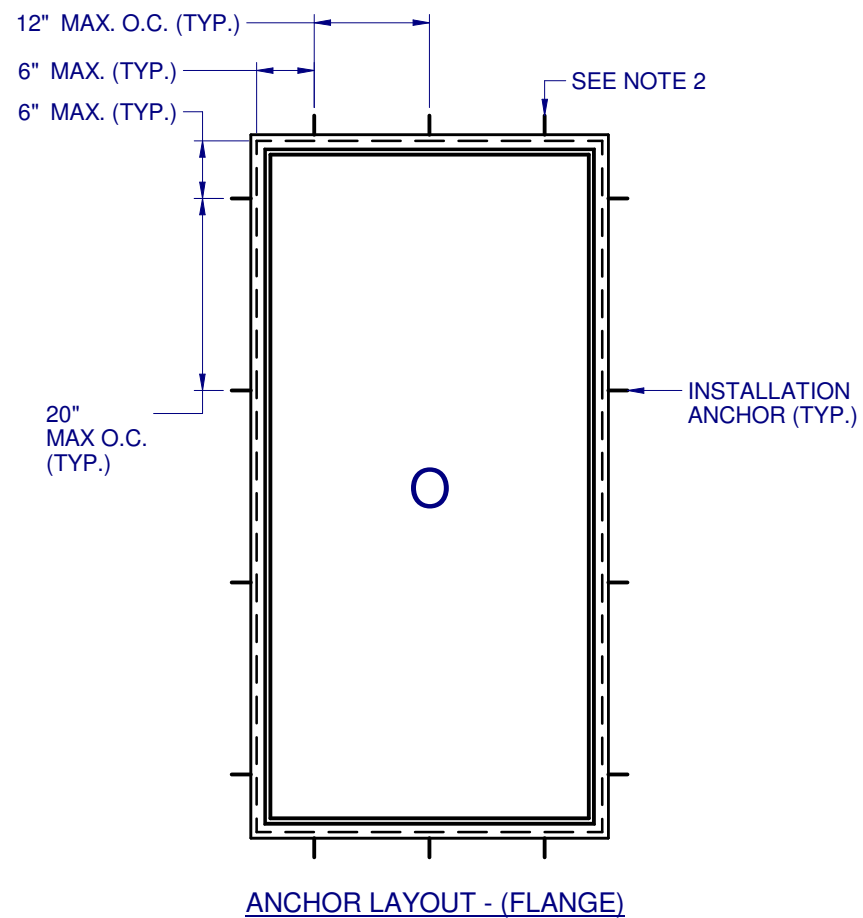


LUCAS A. TURNER, P.E.
FL PE # 58201
1239 JABARA AVE.
NORTH PORT, FL 34288
PH. 941-380-1574

SHEET DESCRIPTION:
BOM AND EXTRUSIONS

DRAWN BY:	DATE:
EMK	10/06/14
DWG #:	REV.:
CWS-1032	A
SCALE:	SHEET
1:1	4 OF 6

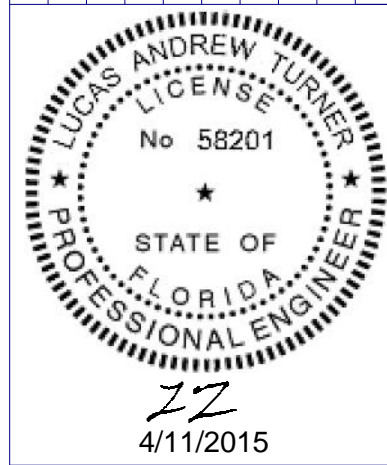
**8150 PVC
PICTURE WINDOW
IMPACT**



NOTES:

1. INSTALL ONE ANCHOR AT EACH INSTALLATION LOCATION. ANCHOR SPACING APPLIES TO ALL SHAPES (SEE SHEET 2) ALONG ALL FRAME EDGES. SILL ANCHOR SPACING SAME AS HEAD.
2. SHIM AS REQ AT EACH INSTALLATION ANCHOR USING LOAD BEARING SHIMS. MAX. ALLOWABLE SHIM STACK TO BE 1/4". USE SHIMS WHERE SPACE GREATER THAN 1/16" IS PRESENT. LOAD BEARING SHIMS SHALL BE CONSTRUCTED OF HIGH DENSITY PLASTIC OR BETTER. WOOD SHIMS ARE NOT ALLOWED.
3. ANCHOR TYPE, SIZE, SPACING AND EMBEDMENT SHALL BE AS SPECIFIED IN THESE DRAWINGS, SEE TABLE 1, SHEET 6.
4. ALL INSTALLATION ANCHORS MUST BE MADE OF OR PROTECTED WITH A CORROSION RESISTANT MATERIAL OR COATING. DISSIMILAR METALS OR MATERIALS IN CONTACT WITH PRESSURE TREATED WOOD MUST BE PROTECTED TO PREVENT REACTION.
5. INSTALLATION ANCHORS SHALL BE IN ACCORDANCE WITH ANCHOR MANUFACTURER'S INSTALLATION INSTRUCTIONS, AND ANCHORS SHALL NOT BE USED IN SUBSTRATES WITH STRENGTHS LESS THAN THE MINIMUM SPECIFIED IN TABLE 1, SHEET 6.
6. ANCHOR EMBEDMENT TO SUBSTRATE SHALL BE BEYOND WALL DRESSING OR STUCCO. FOR CONCRETE/CMU OPENINGS, EMBEDMENT SHALL BE BEYOND WOOD BUCKS, IF USED, INTO SUBSTRATE. INSTALLATIONS TO SOLID CONCRETE OR GROUT-FILLED CMU MAY INCLUDE BUT DO NOT REQUIRE 1X WOOD BUCKS BETWEEN THE PRODUCT AND SUBSTRATE. INSTALLATIONS TO HOLLOW CMU REQUIRE THE USE OF 1X BUCKS BETWEEN THE PRODUCT AND SUBSTRATE.
7. A MINIMUM CENTER-TO-CENTER SPACING SHALL BE MAINTAINED BETWEEN ALL FASTENERS: 3" FOR MASONRY, 1" FOR WOOD AND METAL.
8. WOOD OR MASONRY OPENINGS, BUCKS AND BUCK FASTENERS SHALL BE PROPERLY DESIGNED BY THE ARCHITECT OR ENGINEER OF RECORD AND INSTALLED TO TRANSFER WIND LOADS TO THE STRUCTURE. SUBSTRATES SHALL MEET THE MINIMUM STRENGTH REQUIREMENTS AS SHOWN IN TABLE 1, SHEET 6. CONCRETE AND MASONRY SUBSTRATES MAY NOT BE CRACKED.
9. SEALING AND FLASHING STRATEGIES FOR OVERALL WATER RESISTANCE OF INSTALLATION SHALL BE DONE BY OTHERS FOLLOWING THE CURRENT VERSION OF THE REFERENCE DOCUMENTS: FMA/AAMA 100(FIN WINDOWS), FMA/AAMA 200(FLANGE WINDOWS), FMA/WDMA 250(BOX WINDOWS), FMA/AAMA/WDMA 300(EXTERIOR DOORS)

REVISIONS			
NO.:	DESCRIPTION:	BY:	DATE:
A	UPDATED PER 2014 FBC	EMK	04/10/15



LUCAS A. TURNER, P.E.
FL PE # 58201
1239 JABARA AVE.
NORTH PORT, FL 34288
PH. 941-380-1574

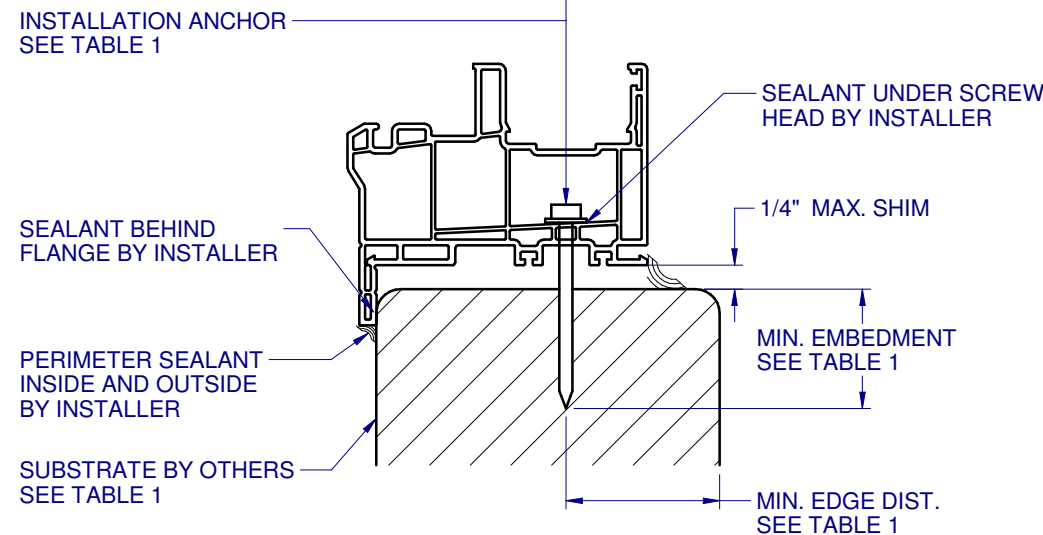
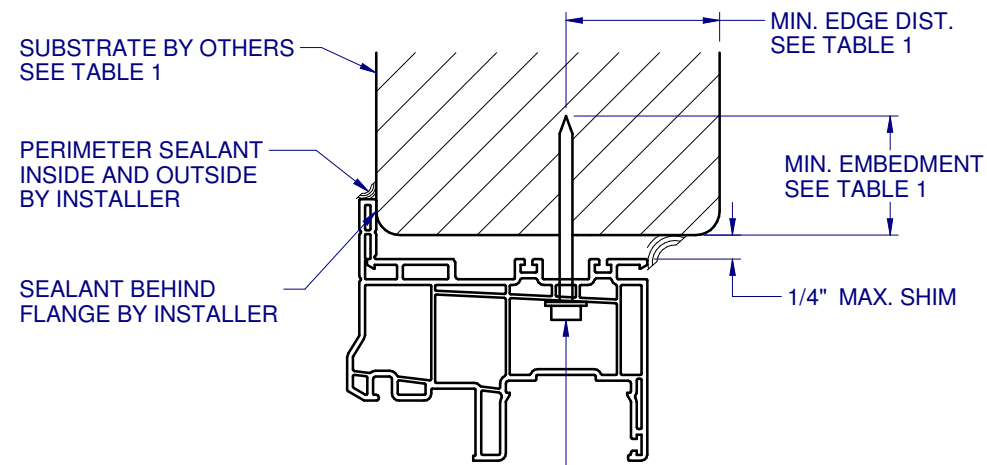
SHEET DESCRIPTION:
ANCHOR SCHEDULE AND NOTES

DRAWN BY: EMK	DATE: 10/06/14
DWG #: CWS-1032	REV.: A
SCALE: 1:1	SHEET 5 OF 6

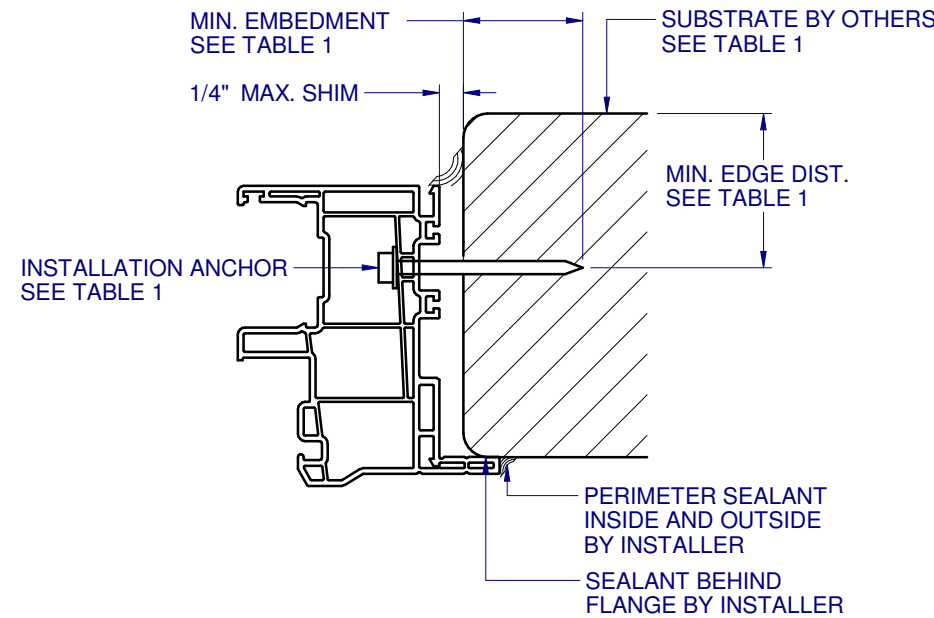
**8150 PVC
PICTURE WINDOW
IMPACT**

					EMK	04/10/15	BY:	DATE:
					A	UPDATED PER 2014 FBC	NO.:	DESCRIPTION:
								REVISIONS

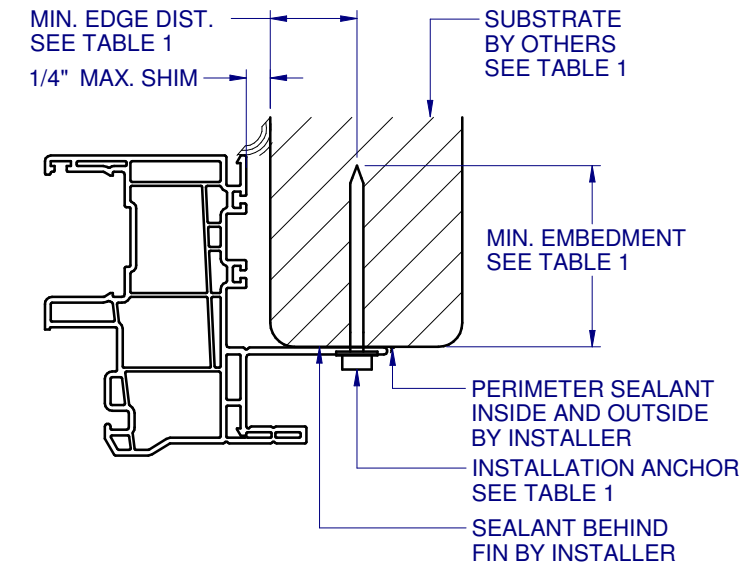
TYPICAL HEAD ANCHORAGE



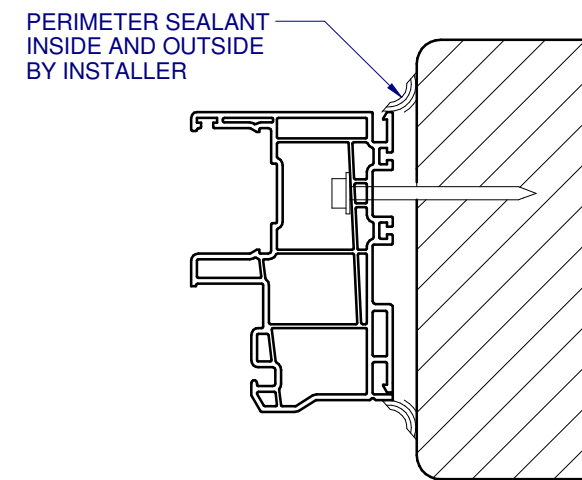
A VERTICAL SECTION
6 TYPICAL SILL ANCHORAGE



B HORIZONTAL SECTION
6 TYPICAL JAMB ANCHORAGE



C HORIZONTAL SECTION
6 TYPICAL FIN ANCHORAGE
HEAD AND SILL SIMILAR FOR FIN INSTALLATION



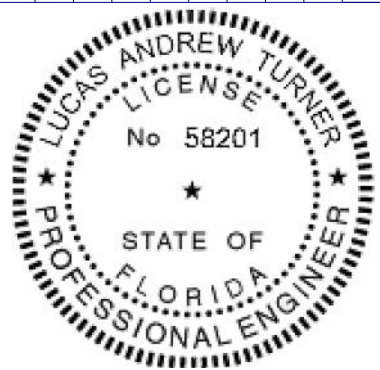
D HORIZONTAL SECTION
6 BOX FRAME INSTALLATION
HEAD AND SILL SIMILAR FOR BOX INSTALLATION

TABLE 1: APPROVED INSTALLATION FASTENERS

FRAME TYPE	SUBSTRATE TYPE	ANCHOR TYPE	MIN. EMBEDMENT	MIN. EDGE DIST.
FLANGE	CONCRETE (2.0 KSI MIN.)	3/16" ITW TAPCON	1-1/2"	1-1/8"
FLANGE	HOLLOW OR GROUT-FILLED CMU (117 PCF MIN.)	3/16" ITW TAPCON	1"	2"
FLANGE	CONCRETE (2.85 KSI MIN.)	3/16" ELCO ULTRACON	1"	1"
FLANGE	GROUT-FILLED CMU (ASTM C-90)	3/16" ELCO ULTRACON	1-1/4"	2-1/2"
FLANGE	2X MIN. SOUTHERN PINE (G=0.55)	3/16" ITW TAPCON OR ELCO ULTRACON	1-3/8"	7/8"
FLANGE	2X MIN. SOUTHERN PINE (G=0.55)	#10 WOOD SCREW	1-3/8"	7/8"
FLANGE	16 GAUGE (0.060") MIN. STEEL STUD (33 KSI YIELD MIN)	#10-16 HILTI KWIK-FLEX OR ITW TEKS SELF-DRILLING SCREW	FULL THREAD THRU 0.060"	7/16"
FLANGE	1/8" ALUM. (6063-T5 MIN.) OR 1/8" STEEL (33 KSI MIN.)	#10 GRADE 5 SELF-TAPPING / DRILLING SCREW	FULL THREAD THRU 0.125"	7/16"
FIN	2X MIN. SOUTHERN PINE (G=0.55)	#8 WOOD SCREW	1-1/2"	7/16"

FLANGE REMOVAL NOTE: PARTIALLY OR FULLY REMOVING THE FLANGE, UP TO AND INCLUDING A BOX-FRAME APPLICATION IS ACCEPTABLE PROVIDED:

- MIN. 1/4" FILLET OF CONSTRUCTION-GRADE ADHESIVE CAULK IS APPLIED INSIDE AND OUTSIDE, FULL PERIMETER, BY INSTALLER.
- PRODUCT ANCHORAGE IS IN ACCORDANCE WITH REQUIREMENTS AS SHOWN FOR FLANGE WINDOWS.



LT
4/11/2015

LUCAS A. TURNER, P.E.
FL PE # 58201
1239 JABARA AVE.
NORTH PORT, FL 34288
PH. 941-380-1574

SHEET DESCRIPTION:

INSTALLATION DETAILS

DRAWN BY:	DATE:
EMK	10/06/14
DWG #:	REV.:
CWS-1032	A
SCALE:	SHEET
1:2	6 OF 6