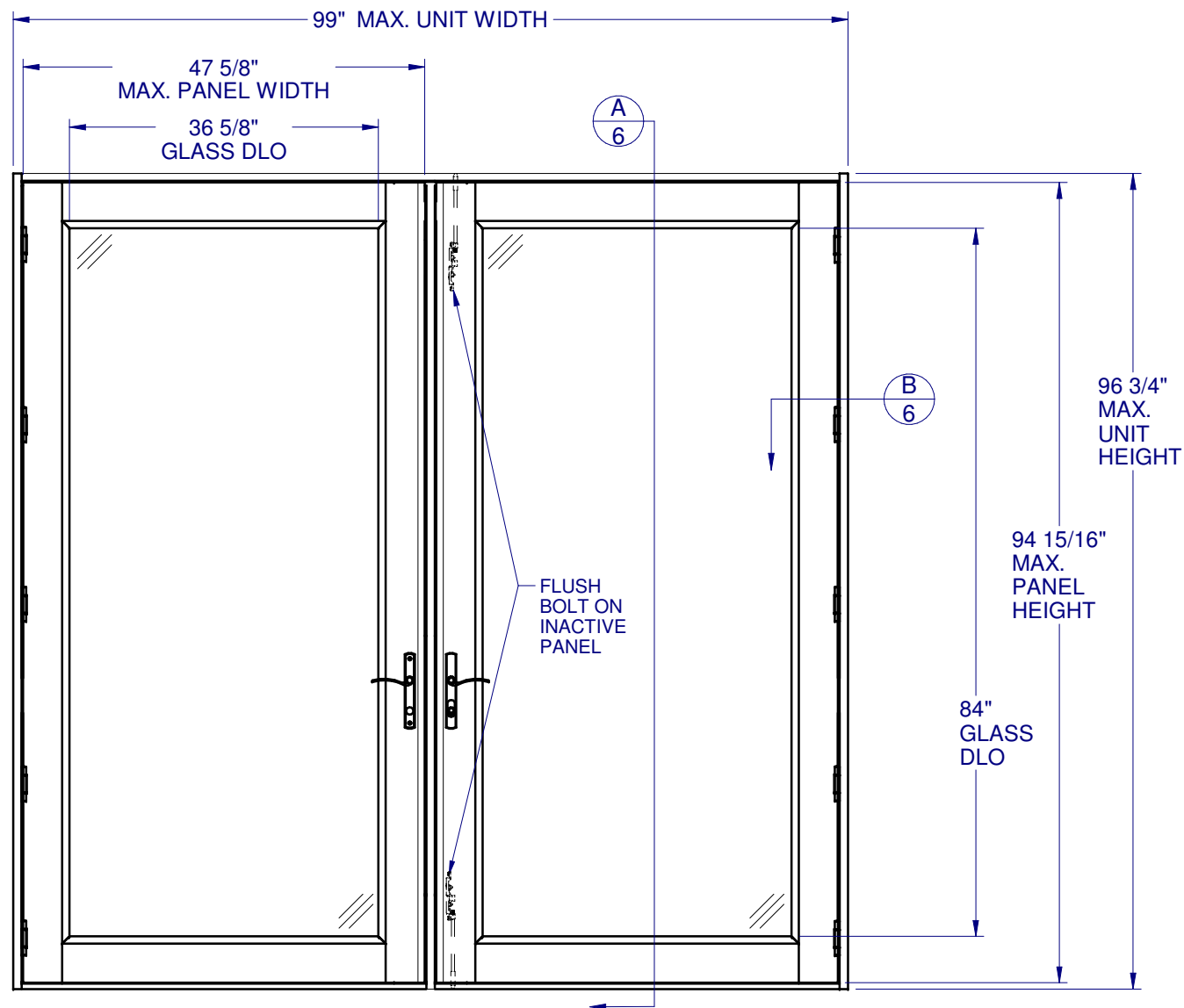


# FRENCH DOOR - IMPACT



## GENERAL NOTES:

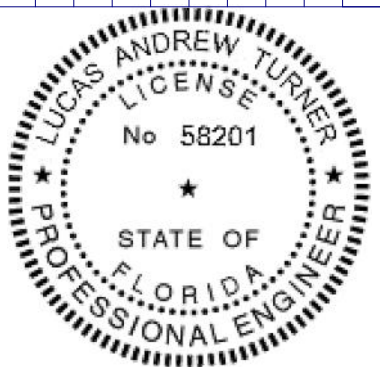
1. THE PRODUCT SHOWN HEREIN IS DESIGNED AND MANUFACTURED TO COMPLY WITH THE FLORIDA BUILDING CODE (FBC), CURRENT EDITION INCLUDING THE HIGH VELOCITY HURRICANE ZONE (HVHZ) AND IS RATED FOR WIND ZONE 4 MISSILE LEVEL D IMPACT USE AS DEFINED IN ASTM E 1996 PER THE FBC.
2. GLAZING DETAIL: (SEE SHEET 2)
3. APPROVED CONFIGURATIONS: FRENCH DOOR
4. LOCK OPTIONS:
  - \* UP TO 6'8": MULTIPOINT(4PT)(HANDLE SET).
  - \* ABOVE 6'8": MULTIPOINT(5PT)(HANDLE SET).
5. DESIGN PRESSURES:
  - NEGATIVE DESIGN LOADS BASED ON TESTED PRESSURE AND GLASS TABLES ASTM E-1300-04.
  - POSITIVE DESIGN LOADS BASED ON TESTED PRESSURE, WATER INFILTRATION TEST PRESSURE, AND GLASS TABLES ASTM E-1300-04.
6. ANCHORAGE: THE 33 1/3% STRESS INCREASE HAS NOT BEEN USED IN THE DESIGN OF THIS PRODUCT. SEE SHEET 6 FOR INSTALLATION DETAIL. WIND LOAD DURATION FACTOR Cd=1.6 WAS USED FOR WOOD ANCHOR CALCULATIONS.
7. PRODUCT APPROVED FOR IMPACT RESISTANCE. SHUTTERS ARE NOT RQUIRED.
8. ALL FRAMES ARE PROCESSED AND SCREWED TOGETHER. VENTS ARE PROCESSED ASSEMBLED VIA TIE RODS.
9. SERIES / MODEL DESIGNATION: FD-8750.
10. SECTION CALLOUTS APPLY TO ALL CONFIGURATIONS.
11. INTERIOR FLUSH BOLTS ON ACTIVE PANEL TO BE ENGAGED DURING SEVERE WEATHER.

**Custom**  
WINDOW SYSTEMS

1900 SW 44TH AVE.  
OCALA, FLORIDA 34474  
WWW.CWS.CC

## 8750 PVC FRENCH DOOR IMPACT

NO.:	DESCRIPTION:	BY:	DATE:
A	UPDATED PER 2014 FBC	EMK	02/26/15



12  
3/10/2015

LUCAS A. TURNER, P.E.  
FL PE # 58201  
1239 JABARA AVE.  
NORTH PORT, FL 34288  
PH. 941-380-1574

SHEET DESCRIPTION:  
GENERAL NOTES AND ELEVATIONS

DRAWN BY:	DATE:
ADE	09/08/11
DWG #:	REV.:
CWS-839	A
SCALE:	SHEET
1:20	1 OF 6

## TABLE OF CONTENTS

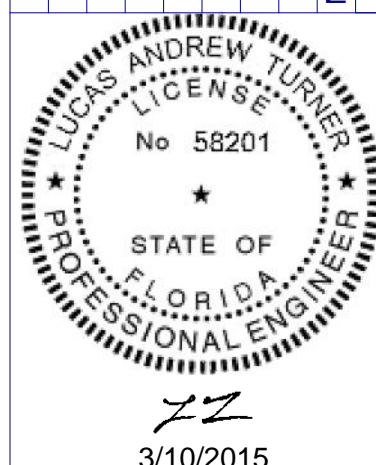
GENERAL NOTES & ELEVATIONS.....	1
SECTION VIEWS & GALZING DETAIL.....	2
BOM.....	3
EXTRUSIONS.....	4
ANCHOR DETAIL & NOTES.....	5
INSTALLATION DETAILS.....	6

DESIGN PRESSURE RATING	IMPACT RATING
+/-60 PSF	LARGE MISSILE IMPACT

**8750 PVC  
FRENCH DOOR  
IMPACT**

NO.:	DESCRIPTION:	BY:	DATE:
A	UPDATED PER 2014 FBC	EMK	02/26/15

REVISIONS

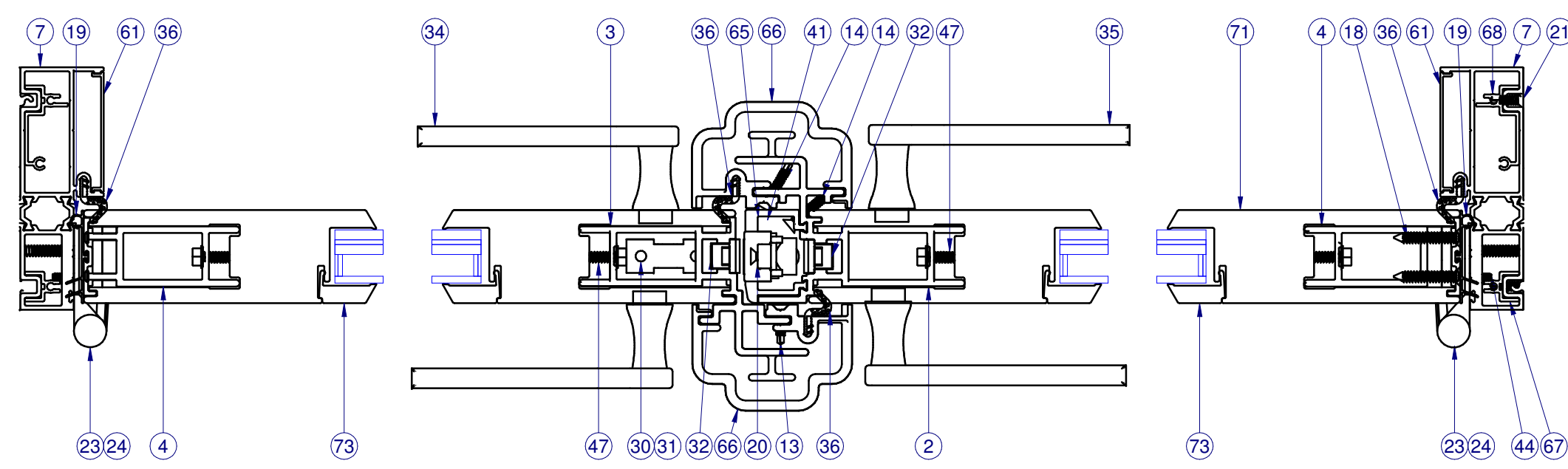


LUCAS A. TURNER, P.E.  
FL PE # 58201  
1239 JABARA AVE.  
NORTH PORT, FL 34288  
PH. 941-380-1574

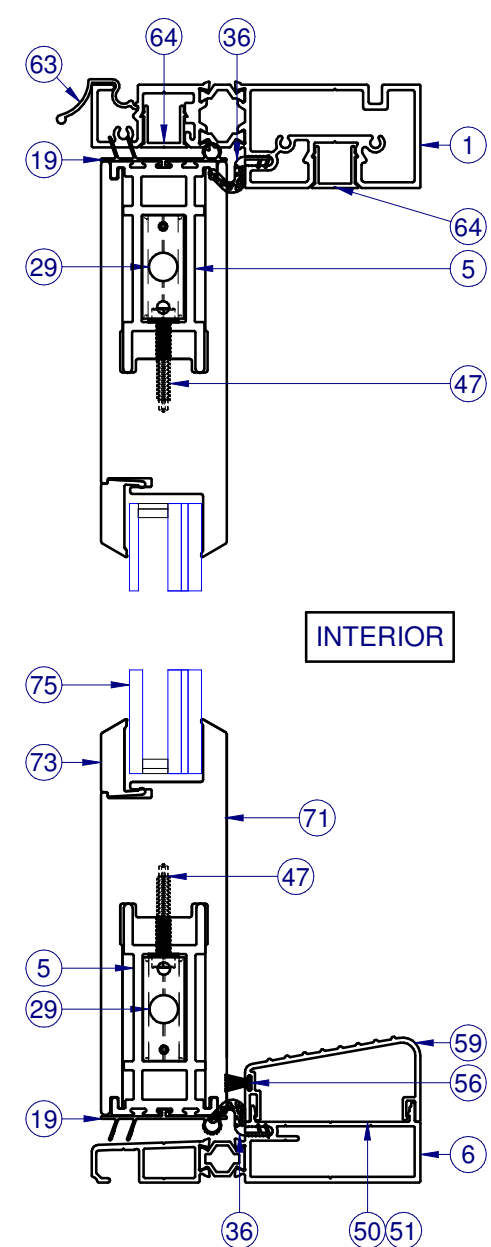
SHEET DESCRIPTION:  
**SECTION VIEWS AND  
GLAZING DETAIL**

DRAWN BY: <b>ADE</b>	DATE: <b>09/08/11</b>
DWG #: <b>CWS-839</b>	REV.: <b>A</b>
SCALE: <b>1:2.67</b>	<b>SHEET 2 OF 6</b>

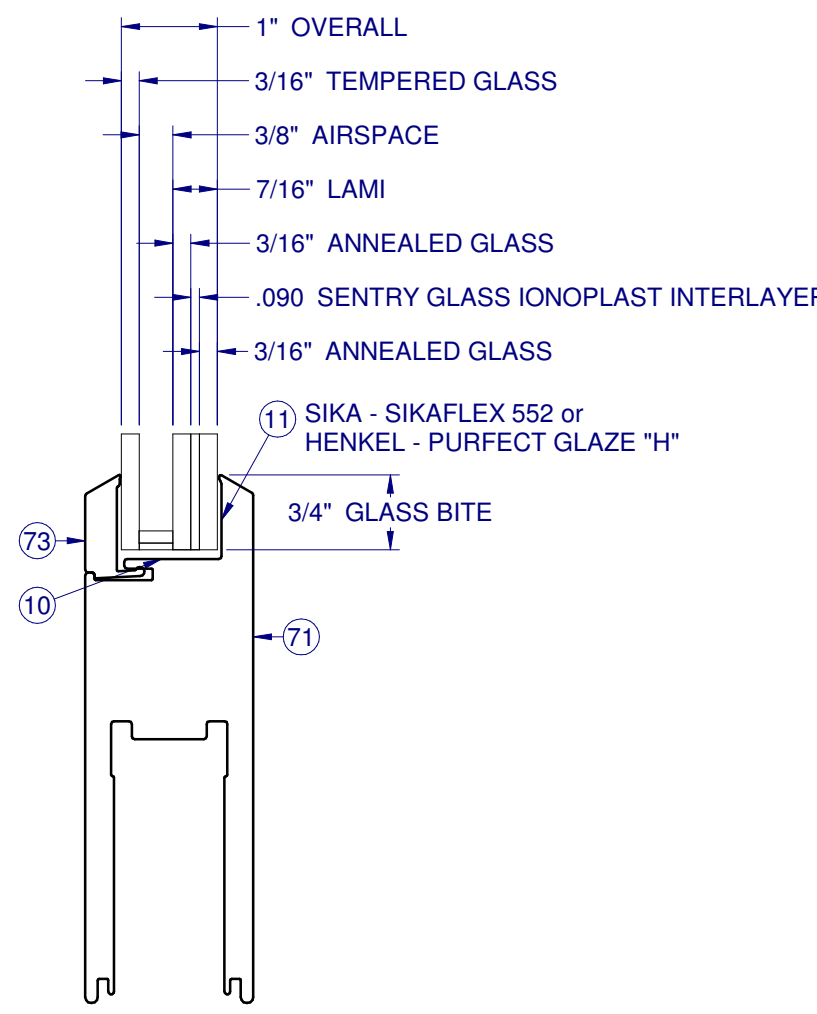
INTERIOR



INTERIOR



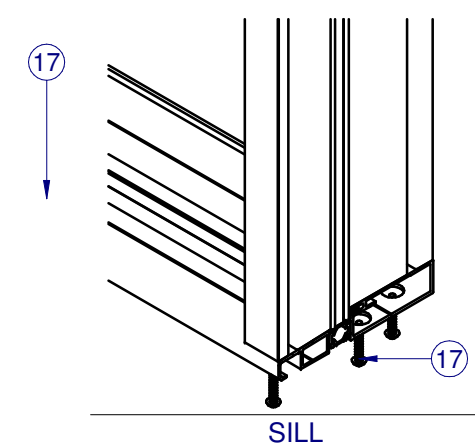
ITEMS NOT SHOWN FOR CLARITY:  
10-12, 17, 22, 26-28, 37-38, 43, 54, 76, 77



1:2

PARTS LIST				
ITEM	PART NO.	DESCRIPTION	MATERIAL	VENDOR
1	H-1833	MAIN FRAME, HEAD	ALUM	KEYMARK
2	H-1847	ASTRAGAL, INACTIVE, FD, PVC	ALUM	KEYMARK
3	H-1846	ASTRAGAL, ACTIVE, FD, PVC	ALUM	KEYMARK
4	H-1825	REINFORCEMENT, VERT.	ALUM	KEYMARK
5	H-1845	REINFORCEMENT, HORIZ	ALUM	KEYMARK
6	H-1878	MAIN FRAME, SILL	ALUM	KEYMARK
7	H-1880	MAINFRAME, JAMB	ALUM	KEYMARK
10	P-3039	SETTING BLOCK, 1/8 X 1 X 2		FRANKLOWE
11		SIKAFLEX 552 or PURFECT GLAZE "H"		SIKA - HENKEL
12	P-3503	SCREW #8 X 1/2" PH TRUSS SS @ ASTRAGAL CAP		FASTENAL
13	P-3511	SCREW #8 x 5/8" SQ. PAN TEK @ TIEROD BRKT		FASTENAL
14	P-3587	SCREW #8 X 1", PH FLAT TEK @ ASTRAGAL, INSERT, LOCK		FASTENAL
17	P-4144	SCREW #8 X 1", PH PAN SMS @FRAME ASSEM.		FASTENAL
18	P-4522	SCREW #10 X 1-1/4", PH FLAT SMS HINGE @PANEL		FASTENAL
19	P-4774B	WSTP, BULB/LEAFS, PANEL		AMESBURY
20	P-4790	FLUSH BOLT, ASSM, TOP/BTM		SULLIVAN
21	P-4794	SCREW #8 x 5/8" SQ.FLAT TEK @ INSERT ATTACH		FASTENAL
22	P-4802	ALL THREADED ROD (TIE ROD)		McMASTER
23	P-4807	HINGE, GUIDE		HOPPE
24	P-4808/9	HINGE, SET		HOPPE
26	P-4863	LOCK STRIKE PLATE		PADDOCK
27	P-4864	RHINO STRIKE PLATE		PADDOCK
28	P-4866A	GUIDE, TIE ROD	NYLON	M&M
29	P-4871	TIE ROD BRACKET	ZINC	SULLIVAN
30	P-4885	SHOOT BOLT, TOP		PADDOCK
31	P-4886	SHOOT BOLT, BOTTOM		PADDOCK
32	P-4851	LOCKBAR, INACTIVE, 8 FT		PADDOCK
33	P-4884	LOCKBAR, MULTI-POINT, 5PT, 8 FT		PADDOCK
34	P-4903	HANDLE SET, ACTIVE		PADDOCK
35	P-4905	HANDLE SET, INACTIVE		PADDOCK
36	P-4913	WSTP, .50X.50 FOLDED BULB SEAL, @ DOOR		SCHELGEL
37	P-4917	CAP, ASTRAGAL, OUTSIDE	NYLON	M&M
38	P-4925	CAP, ASTRAGAL, INSIDE	NYLON	M&M
41	P-4889	GUIDE, SHOOT BOLT	NYLON	M&M
43	P-4933	NUT, 3/8"-16 FLANGED W/ SERRATED LIP, SS, @ PANEL		McMASTER
44	P-4934	SCREW, #12-24 X 1/2", PH FLAT, MS, @ HINGE		FASTENAL
47	P-4969	SCREW, #10 X 2" REINF. ATTACH.		FASTENAL
49	P-5127	SCREW, #12 X 2", PH PAN, SMS, ANCHOR		FASTENAL
50	P-5130	GASKET, DOOR SILL, FRONT	FOAM	HO PRODUCTS
51	P-5131	GASKET, DOOR SILL, BACK	FOAM	HO PRODUCTS
54	P-5157	SCREW #10-24 x 1/2", FI Undercut PH, 18-8SS @ KEEPER		FASTENAL
56	P-5172	WSTP, .370 X .187, TRI FIN, BLACK		
57	P-5174	SCREW #8 X 3/4" HEX WASHER HEAD, @ FRAME		FASTENAL
59	S-1783	THRESHOLD, HIGH RISE	ALUM	KEYMARK
61	S-1806	COVER, JAMB, ANCHOR	ALUM	KEYMARK
63	S-1817	DRIP CAP	ALUM	KEYMARK
64	S-1840	COVER, HEAD, ANCHOR	ALUM	KEYMARK
65	S-1849	INSERT, INACTIVE PNL, LOCK HARDWARE		KEYMARK

HEAD

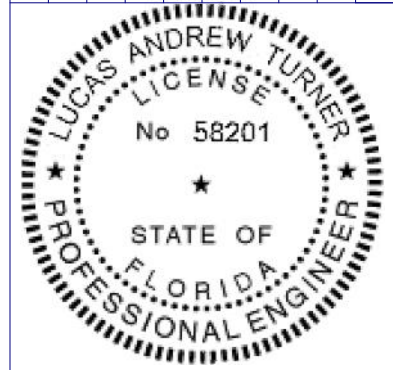


SILL

**Custom Window Systems**  
 1900 SW 44TH AVE.  
 OCALA, FLORIDA 34474  
 WWW.CWS.CC

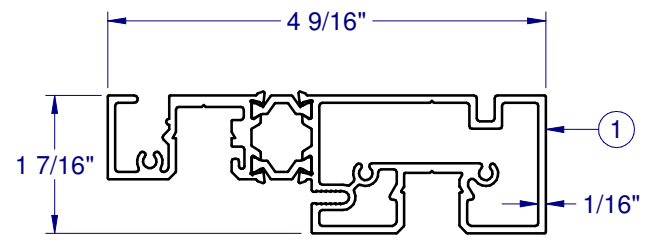
**8750 PVC FRENCH DOOR IMPACT**

						EMK	02/26/15		BY:	DATE:
						A	UPDATED PER 2014 FBC		NO.:	DESCRIPTION:
										REVISIONS

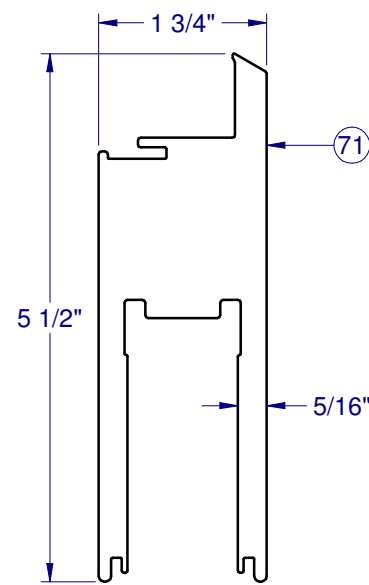


LUCAS A. TURNER, P.E.  
 FL PE # 58201  
 1239 JABARA AVE.  
 NORTH PORT, FL 34288  
 PH. 941-380-1574

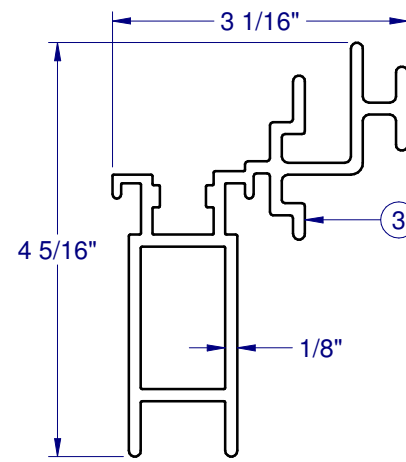
SHEET DESCRIPTION:	
<b>BOM</b>	
DRAWN BY:	DATE:
ADE	09/08/11
DWG #:	REV.:
CWS-839	A
SCALE:	SHEET
1:4	3 OF 6



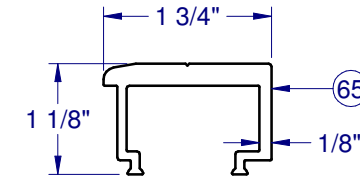
DOOR HEAD - 1833



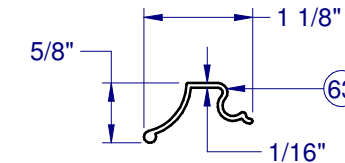
PVC DOOR PANEL - 6083



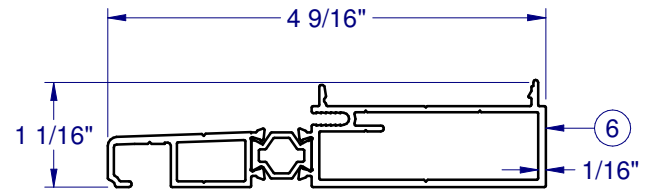
REINF. ACTIVE PANEL - 1846



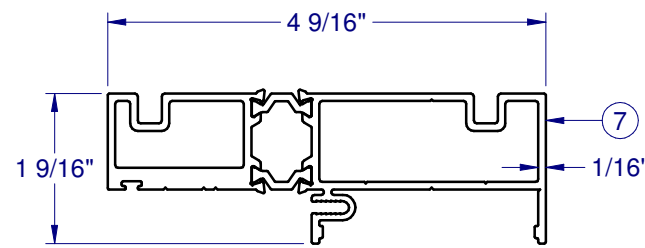
INSERT INACTIVE PNL - 1849



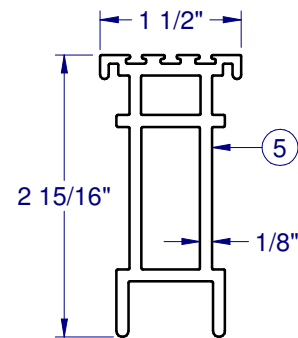
DRIP CAP - 1817



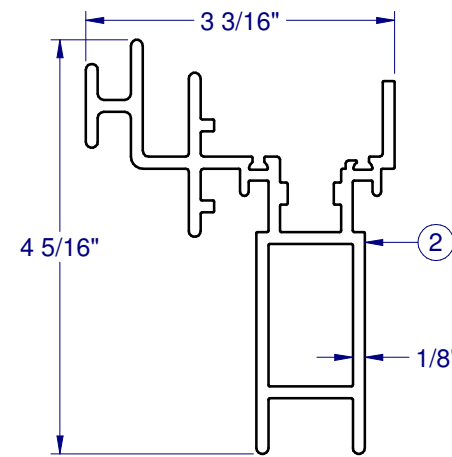
DOOR SILL - 1878



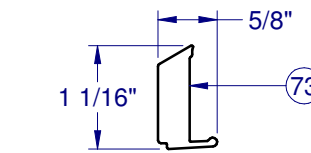
DOOR JAMB - 1880



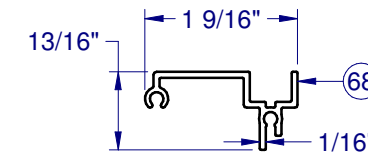
REINF. HORZ. - 1845



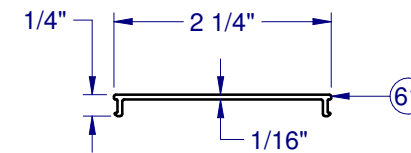
REINF. INACTIVE PANEL - 1847



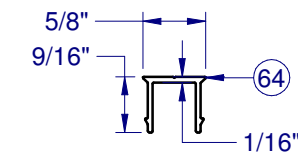
PVC GLAZING BEAD - 6084



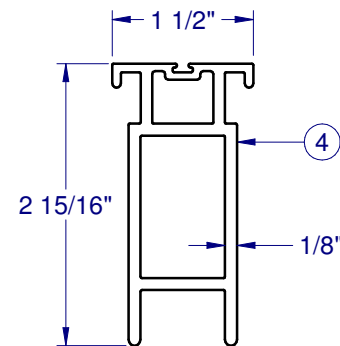
INSERT, BACK - 1865



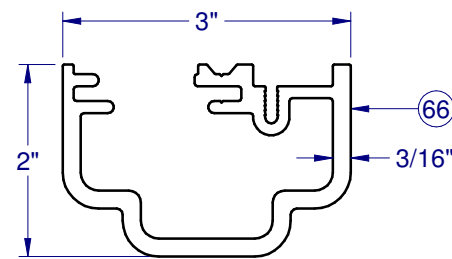
FRAME JAMB COVER - 1806



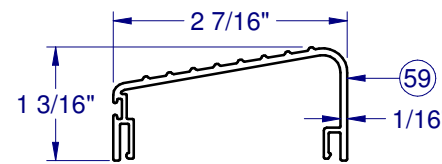
HEAD COVER - 1840



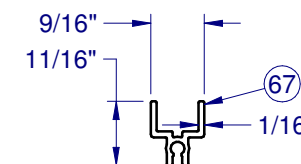
REINF. VERT. - 1825



ASTRAGAL COVER - 1848



THRESHOLD - 1783

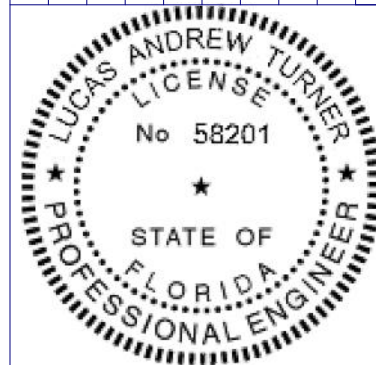


INSERT, FRONT - 1864

**8750 PVC  
FRENCH DOOR  
IMPACT**

NO.	DESCRIPTION:	BY:	DATE:
A	UPDATED PER 2014 FBC	EMK	02/26/15

REVISIONS



*LT*  
3/10/2015

LUCAS A. TURNER, P.E.  
FL PE # 58201  
1239 JABARA AVE.  
NORTH PORT, FL 34288  
PH. 941-380-1574

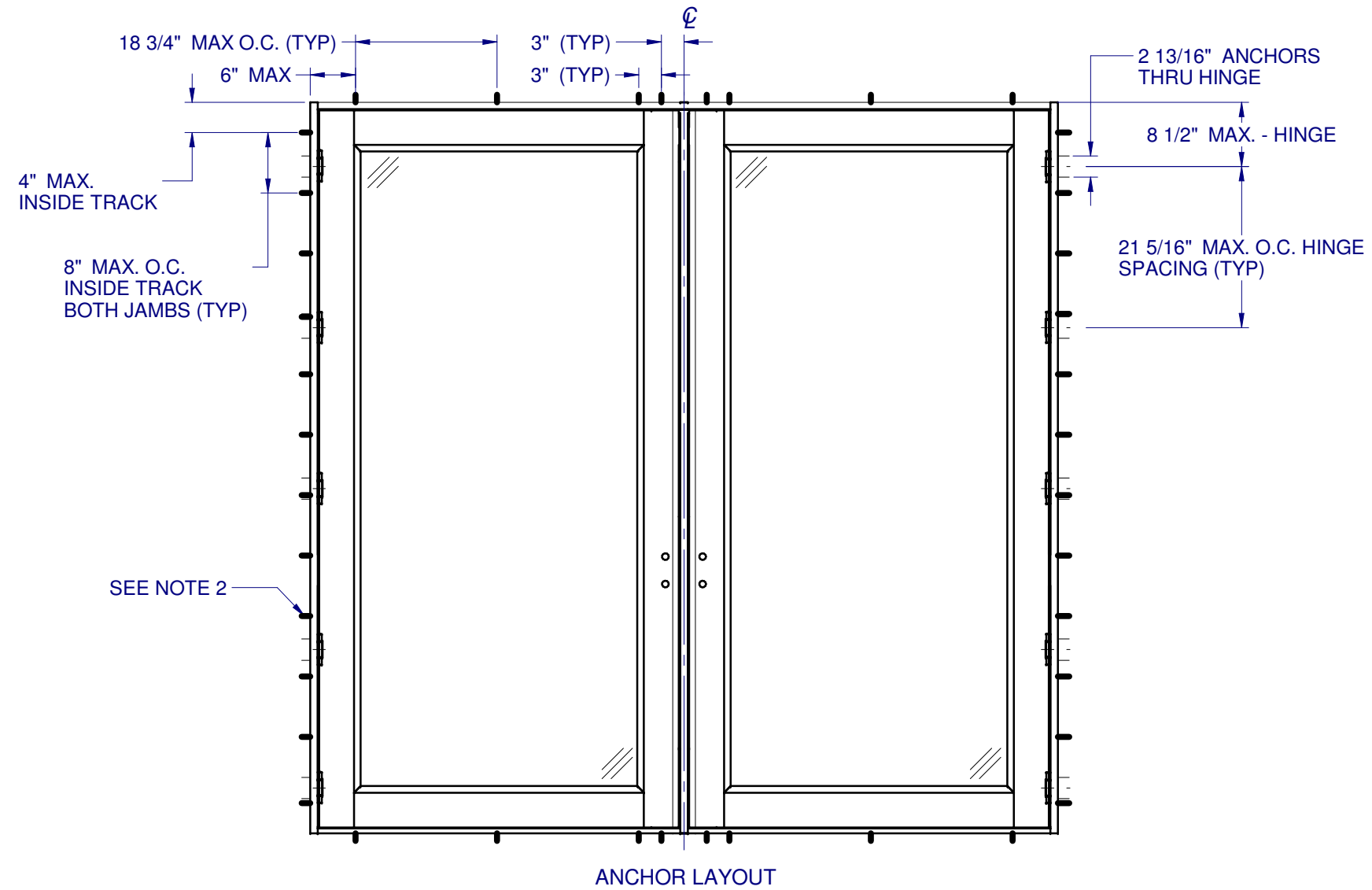
SHEET DESCRIPTION:

**EXTRUSIONS**

DRAWN BY: <b>ADE</b>	DATE: <b>09/08/11</b>
DWG #: <b>CWS-839</b>	REV.: <b>A</b>
SCALE: <b>1:2</b>	SHEET <b>4 OF 6</b>

NOTE: ALL EXTRUSIONS ARE 6063-T6 ALUMINUM UNLESS OTHERWISE NOTED.

**8750 PVC  
FRENCH DOOR  
IMPACT**



NOTES:

1. INSTALL ONE ANCHOR AT EACH JAMB LOCATION AND INSTALL TWO ANCHORS AT EACH HEAD & SILL LOCATION, SEE SHEET 6 FOR DETAILS. BOTH INSIDE TRACK ANCHORS AND HINGE ANCHORS ARE REQUIRED ON BOTH JAMBS. SILL ANCHOR SPACING SAME AS HEAD.
2. SHIM AS REQ AT EACH INSTALLATION ANCHOR USING LOAD BEARING SHIMS. MAX. ALLOWABLE SHIM STACK TO BE 1/4". USE SHIMS WHERE SPACE GREATER THAN 1/16" IS PRESENT. LOAD BEARING SHIMS SHALL BE CONSTRUCTED OF HIGH DENSITY PLASTIC OR BETTER. WOOD SHIMS ARE NOT ALLOWED.
3. ANCHOR TYPE, SIZE, SPACING AND EMBEDMENT SHALL BE AS SPECIFIED IN THESE DRAWINGS, SEE TABLE 1, SHEET 6.
4. ALL INSTALLATION ANCHORS MUST BE MADE OF OR PROTECTED WITH A CORROSION RESISTANT MATERIAL OR COATING. DISSIMILAR METALS OR MATERIALS IN CONTACT WITH PRESSURE TREATED WOOD MUST BE PROTECTED TO PREVENT REACTION.
5. INSTALLATION ANCHORS SHALL BE IN ACCORDANCE WITH ANCHOR MANUFACTURER'S INSTALLATION INSTRUCTIONS, AND ANCHORS SHALL NOT BE USED IN SUBSTRATES WITH STRENGTHS LESS THAN THE MINIMUM SPECIFIED IN TABLE 1, SHEET 6.
6. ANCHOR EMBEDMENT TO SUBSTRATE SHALL BE BEYOND WALL DRESSING OR STUCCO. FOR CONCRETE/CMU OPENINGS, EMBEDMENT SHALL BE BEYOND WOOD BUCKS, IF USED, INTO SUBSTRATE. INSTALLATIONS TO SOLID CONCRETE OR GROUT-FILLED CMU MAY INCLUDE BUT DO NOT REQUIRE 1X WOOD BUCKS BETWEEN THE PRODUCT AND THE SUBSTRATE. INSTALLATIONS TO HOLLOW CMU REQUIRE THE USE OF 1X BUCKS BETWEEN THE PRODUCT AND SUBSTRATE.
7. A MINIMUM 2-5/16" CENTER-TO-CENTER SPACING SHALL BE MAINTAINED BETWEEN ALL MASONRY FASTENERS AT THE HEAD AND SILL, 2-7/16" MIN. SHALL BE MAINTAINED AT THE HINGES, 3" MIN. SHALL BE MAINTAINED AT THE JAMBS AND ALL OTHER ANCHORS. A MINIMUM 1" CENTER-TO-CENTER SPACING SHALL BE MAINTAINED BETWEEN ALL WOOD AND METAL FASTENERS.
8. WOOD OR MASONRY OPENINGS, BUCKS AND BUCK FASTENERS SHALL BE PROPERLY DESIGNED BY THE ARCHITECT OR ENGINEER OF RECORD AND INSTALLED TO TRANSFER WIND LOADS TO THE STRUCTURE. SUBSTRATES SHALL MEET THE MINIMUM STRENGTH REQUIREMENTS AS SHOWN IN TABLE 1, SHEET 8. CONCRETE AND MASONRY SUBSTRATES MAY NOT BE CRACKED.
9. SEALING AND FLASHING STRATEGIES FOR OVERALL WATER RESISTANCE OF INSTALLATION SHALL BE DONE BY OTHERS FOLLOWING THE CURRENT VERSION OF THE REFERENCE DOCUMENTS:  
FMA/AAMA 100(FIN WINDOWS), FMA/AAMA 200(FLANGE WINDOWS), FMA/WDMA 250(BOX WINDOWS), FMA/AAMA/WDMA 300(EXTERIOR DOORS)

EMK 02/26/15  
BY: DATE:

REVISIONS

A UPDATED PER 2014 FBC  
NO.: DESCRIPTION:



22  
3/10/2015

LUCAS A. TURNER, P.E.  
FL PE # 58201  
1239 JABARA AVE.  
NORTH PORT, FL 34288  
PH. 941-380-1574

SHEET DESCRIPTION:

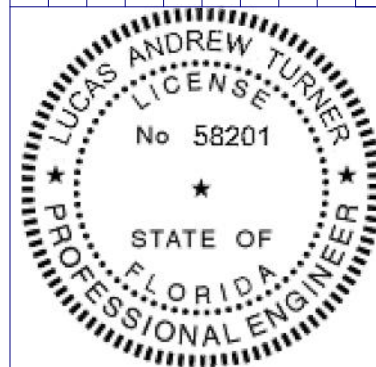
**ANCHOR SCHEDULE AND NOTES**

DRAWN BY: ADE	DATE: 09/08/11
DWG #: CWS-839	REV.: A
SCALE: 1:20	SHEET 5 OF 6

**8750 PVC  
FRENCH DOOR  
IMPACT**

NO.	DESCRIPTION:	BY:	DATE:
A	UPDATED PER 2014 FBC	EMK	02/26/15

REVISIONS



*LT*  
3/10/2015

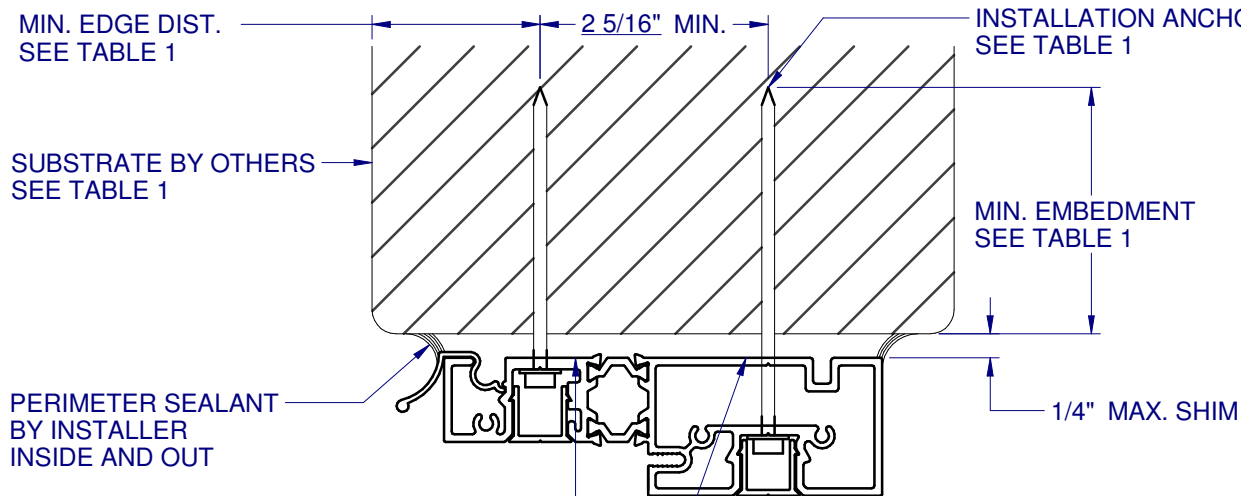
LUCAS A. TURNER, P.E.  
FL PE # 58201  
1239 JABARA AVE.  
NORTH PORT, FL 34288  
PH. 941-380-1574

SHEET DESCRIPTION:

**INSTALLATION DETAIL**

DRAWN BY:	DATE:
ADE	09/08/11
DWG #:	REV.:
CWS-839	A
SCALE:	SHEET
1:2	6 OF 6

**TYPICAL HEAD ANCHORAGE**



CONTINUOUS DBL 1/4" BEADS OF SEALANT AROUND PERIMETER AT ALL INDICATED POINTS BETWEEN FRAME AND SUBSTRATE BY INSTALLER.

PERIMETER SEALANT BY INSTALLER INSIDE AND OUT

SUBSTRATE BY OTHERS SEE TABLE 1

MIN. EDGE DIST. SEE TABLE 1

INSTALLATION ANCHOR SEE TABLE 1

**A** VERTICAL SECTION  
**6** TYPICAL SILL ANCHORAGE

**INTERIOR**

CONTINUOUS DBL 1/4" BEADS OF SEALANT AROUND PERIMETER AT ALL INDICATED POINTS BETWEEN FRAME AND SUBSTRATE BY INSTALLER.

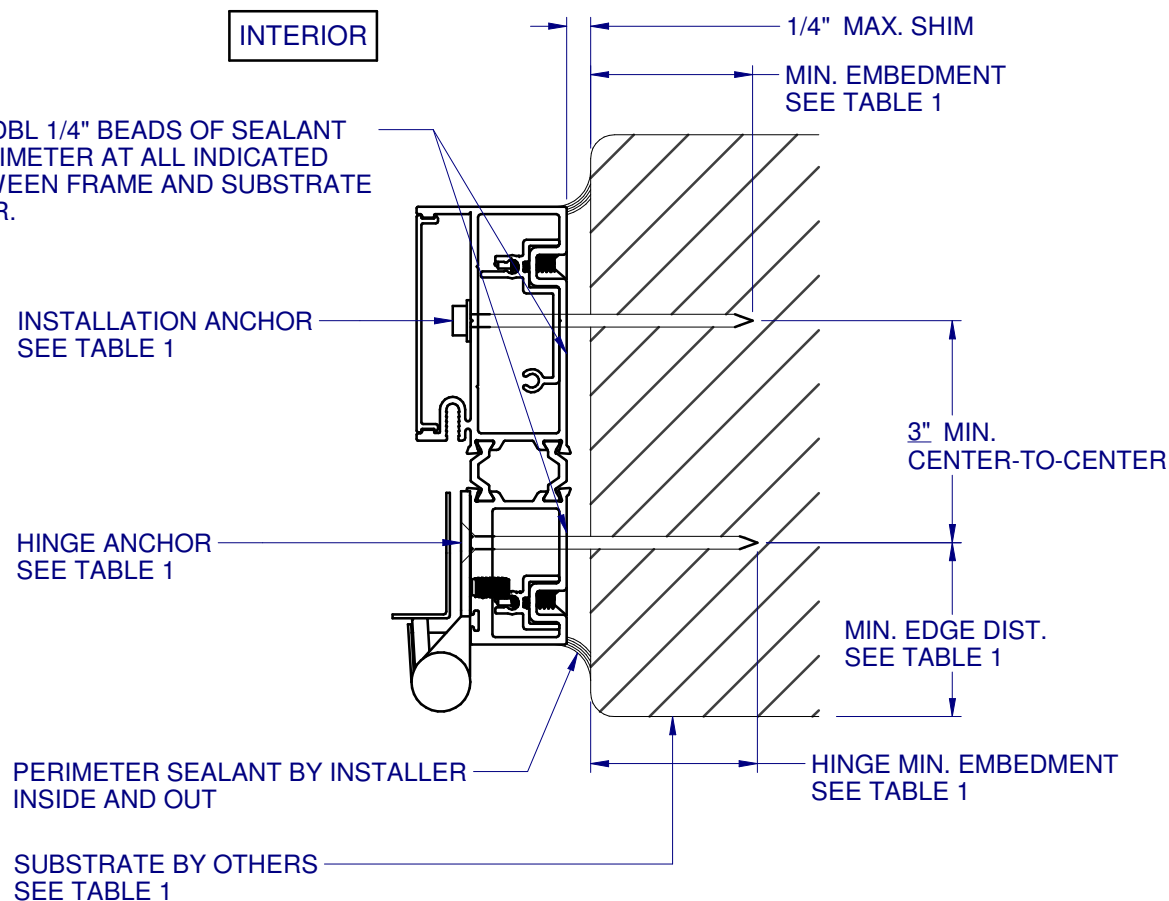
INSTALLATION ANCHOR SEE TABLE 1

HINGE ANCHOR SEE TABLE 1

PERIMETER SEALANT BY INSTALLER INSIDE AND OUT

SUBSTRATE BY OTHERS SEE TABLE 1

**B** HORIZONTAL SECTION  
**6** TYPICAL JAMB / HINGE ANCHORAGE



**TABLE 1: APPROVED INSTALLATION FASTENERS**

SUBSTRATE TYPE	ANCHOR TYPE	MIN. EMBEDMENT	MIN. EDGE DIST.
CONCRETE (2.85 KSI MIN.)	1/4" ELCO ULTRACON	1-3/4"	2-1/2"
HOLLOW OR GROUT-FILLED CMU (ASTM C-90)	1/4" ELCO ULTRACON	1-1/4"	2-1/2"
2X MIN. SOUTHERN PINE (G=0.55)	1/4" ELCO ULTRACON	1-3/8"	7/8"
2X MIN. SOUTHERN PINE (G=0.55)	#12 WOOD SCREW	1-3/8"	7/8"
16 GAUGE (0.060") MIN. STEEL STUD (33 KSI YIELD MIN)	#12-14 HILTI KWIK-FLEX OR ITW TEKS SELF-DRILLING SCREW	FULL THREAD THRU 0.060"	1/2"
1/8" ALUM. (6063-T5 MIN.) OR 1/8" STEEL (33 KSI MIN.)	#12 GRADE 5 SELF-TAPPING / DRILLING SCREW	FULL THREAD THRU 0.125"	1/2"
HINGE ANCHORS INTO CONCRETE (2.85 KSI MIN.)	3/16" ELCO ULTRACON	1-3/4"	2-1/2"
HINGE ANCHORS INTO HOLLOW OR GROUT-FILLED CMU (ASTM C-90)	3/16" ELCO ULTRACON	1-1/4"	2-1/2"
HINGE ANCHORS INTO 2X MIN. SOUTHERN PINE (G=0.55)	#10 WOOD SCREW	1-3/8"	7/8"
HINGE ANCHORS INTO 16 GAUGE (0.060") MIN. STEEL STUD (33 KSI YIELD MIN)	#10-16 HILTI KWIK-FLEX OR ITW TEKS SELF-DRILLING SCREW	FULL THREAD THRU 0.060"	1/2"
HINGE ANCHORS 1/8" ALUM. (6063-T5 MIN.) OR 1/8" STEEL (33 KSI MIN.)	#10 GRADE 5 SELF-TAPPING / DRILLING SCREW	FULL THREAD THRU 0.125"	1/2"