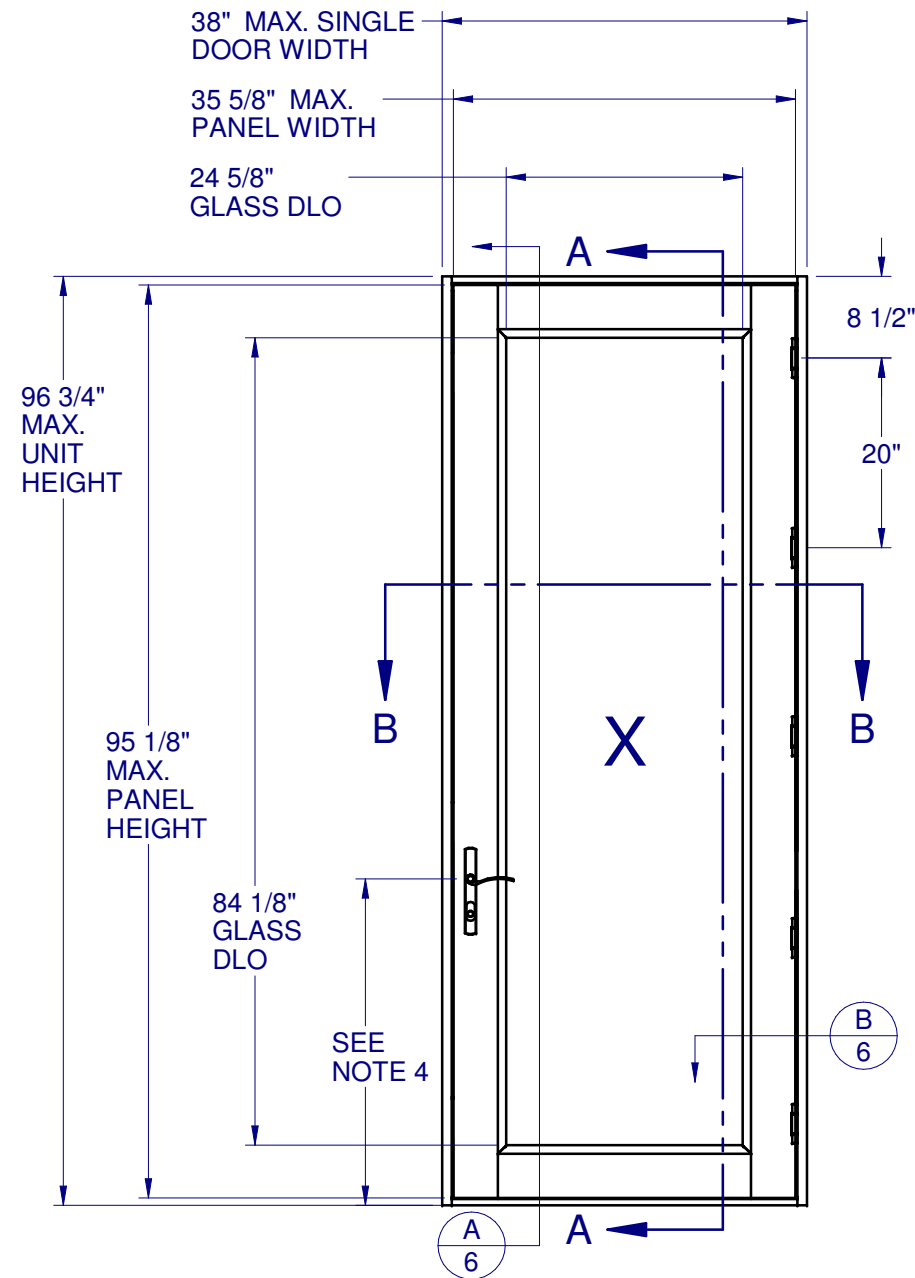


SWING DOOR - LARGE MISSILE IMPACT



NOTE:
HINGE SPACINGS ARE 8-1/2"
FROM ENDS AND 20" MAX. O.C.
FOR 81" TO 97" UNIT HEIGHT.

GENERAL NOTES:

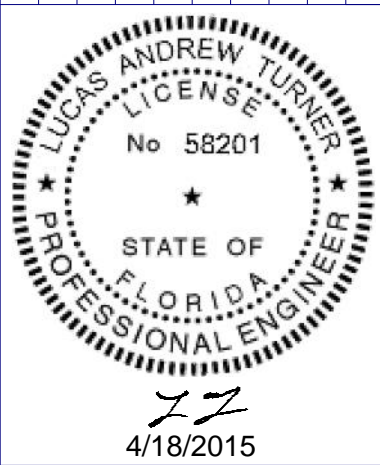
1. THE PRODUCT SHOWN HEREIN IS DESIGNED AND MANUFACTURED TO COMPLY WITH THE FLORIDA BUILDING CODE (FBC), CURRENT EDITION INCLUDING THE HIGH VELOCITY HURRICANE ZONE (HVHZ) AND IS RATED FOR WIND ZONE 4 MISSILE LEVEL D IMPACT USE AS DEFINED IN ASTM E 1996 PER THE FBC.
2. GLAZING DETAIL: (SEE SHEET 2)
3. APPROVED CONFIGURATIONS: SINGLE OUTSWING.
4. LOCK OPTIONS:
* UP TO 6'8" : MULTIPOINT(4PT) (HANDLE SET @ 34").
* ABOVE 6'8": MULTIPOINT(5PT) (HANDLE SET @ 34").
5. DESIGN PRESSURE RATING:
-NEGATIVE DESIGN LOADS BASED ON TESTED PRESSURE AND GLASS TABLES ASTM E-1300-04.
-POSITIVE DESIGN LOADS BASED ON TESTED PRESSURE, WATER INFILTRATION TEST PRESSURE, AND GLASS TABLES ASTM E-1300-04.
6. ANCHORAGE: THE 33 1/3% STRESS INCREASE HAS NOT BEEN USED IN THE DESIGN OF THIS PRODUCT. SEE SHEET 6 FOR INSTALLATION DETAIL. WIND LOAD DURATION FACTOR Cd=1.6 WAS USED FOR WOOD ANCHOR CALCULATIONS.
7. PRODUCT APPROVED FOR IMPACT RESISTANCE. SHUTTERS ARE NOT REQUIRED.
8. ALL FRAMES ARE PROCESSED AND SCREWED TOGETHER. VENTS ARE PROCESSED AND TIERODDED TOGETHER.
9. SERIES / MODEL DESIGNATION: SD-8700.
- 10 THE DESIGNATION X AND O STAND FOR THE FOLLOWING:
X = OPERABLE DOOR.
11. SECTION CALLOUTS APPLY TO ALL CONFIGURATIONS.
12. INTERIOR FLUSH BOLTS ON ACTIVE PANEL TO BE ENGAGED DURING SEVERE WEATHER.



1900 SW 44TH AVE.
OCALA, FLORIDA 34474
WWW.CWS.CC

8700 PVC SWING DOOR IMPACT

NO.	DESCRIPTION:	BY:	DATE:
A	UPDATED PER 2014 FBC	EMK	03/07/15



LUCAS A. TURNER, P.E.
FL PE # 58201
1239 JABARA AVE.
NORTH PORT, FL 34288
PH. 941-380-1574

SHEET DESCRIPTION:
GENERAL NOTES AND ELEVATIONS

DRAWN BY: ADE	DATE: 09/20/12
DWG #: CWS-817	REV.: A
SCALE: 1:20	SHEET 1 OF 6

TABLE OF CONTENTS

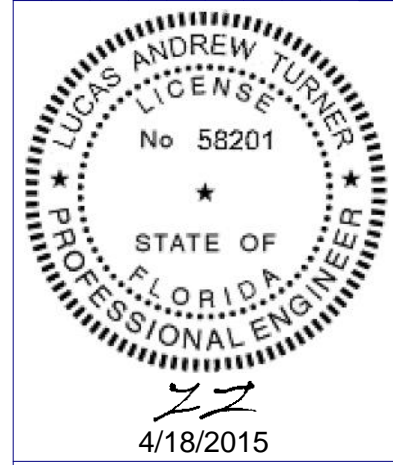
GENERAL NOTES & ELEVATIONS.....	1
SECTION VIEWS & GLAZING.....	2
BOM.....	3
EXTRUSIONS.....	4
ANCHOR SCHEDULE & NOTES.....	5
INSTALLATION DETAILS.....	6

MAX. UNIT SIZE	DESIGN PRESSURE RATING	IMPACT RATING
38" x 96-3/4"	+/-90 PSF	LARGE MISSILE IMPACT

**8700 PVC
SWING DOOR
IMPACT**

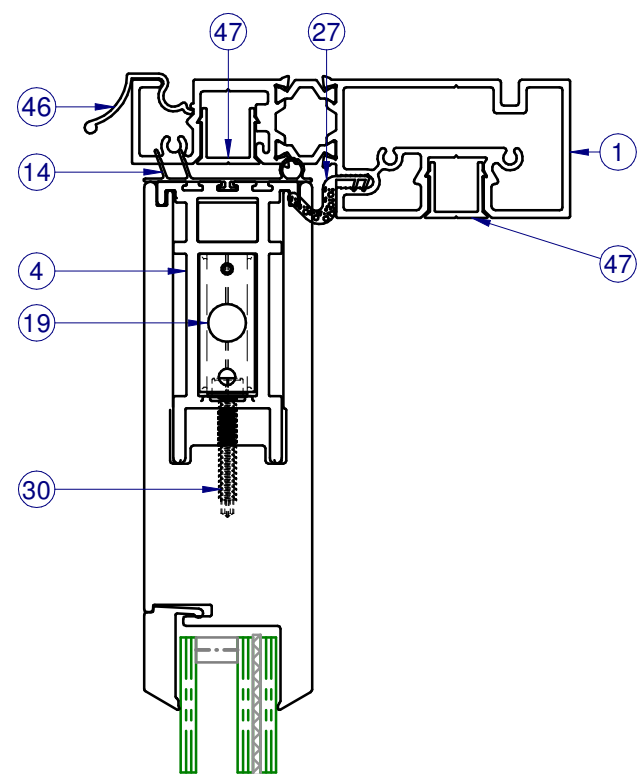
NO.	DESCRIPTION:	BY:	DATE:
A	UPDATED PER 2014 FBC	EMK	03/07/15

REVISIONS

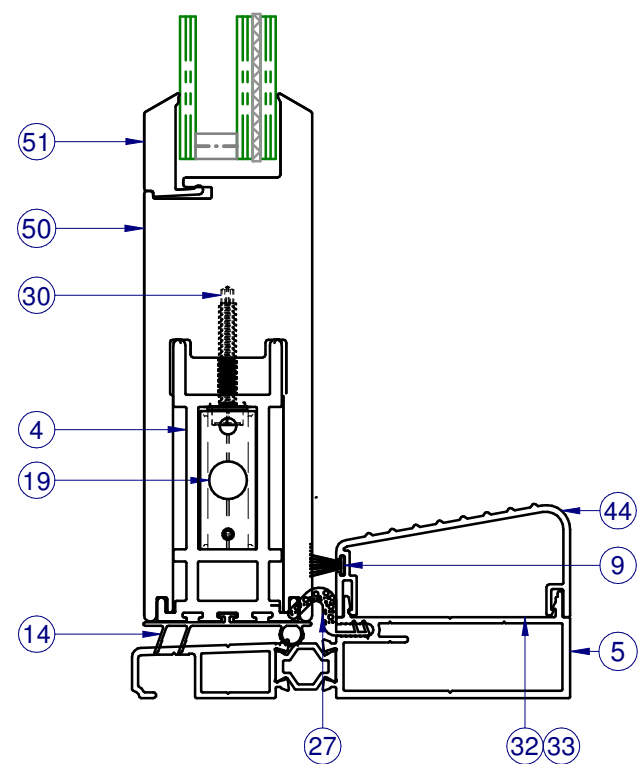


LUCAS A. TURNER, P.E.
FL PE # 58201
1239 JABARA AVE.
NORTH PORT, FL 34288
PH. 941-380-1574

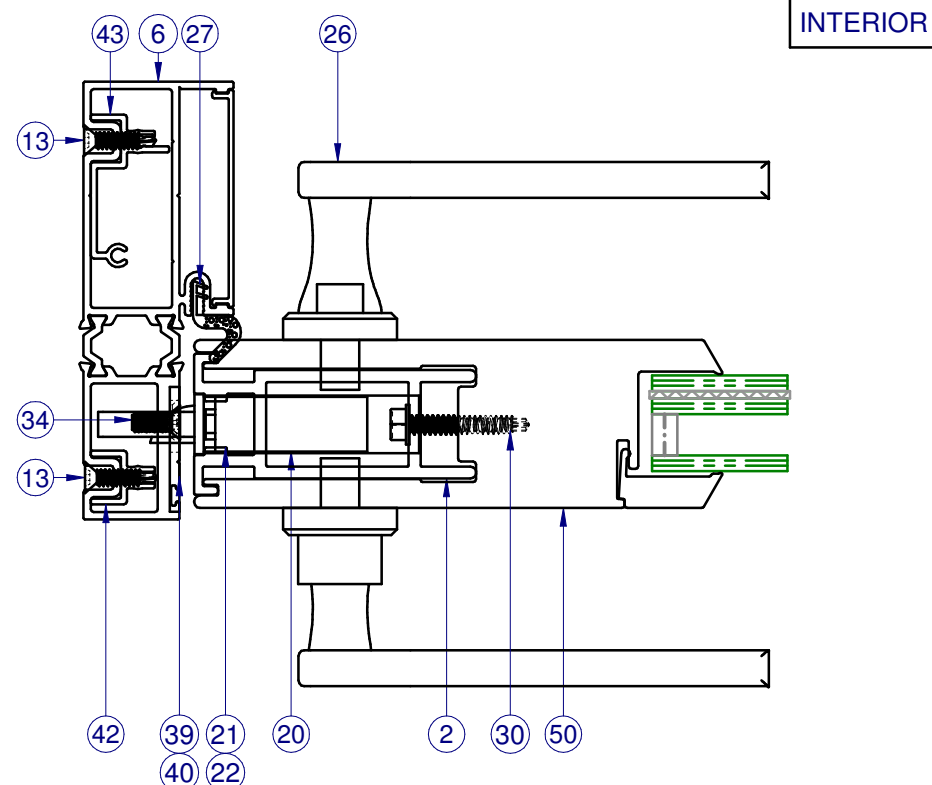
SHEET DESCRIPTION: SECTION VIEWS AND GLAZING DETAIL	
DRAWN BY: ADE	DATE: 09/20/12
DWG #: CWS-817	REV.: A
SCALE: 1:2	SHEET 2 OF 6



INTERIOR

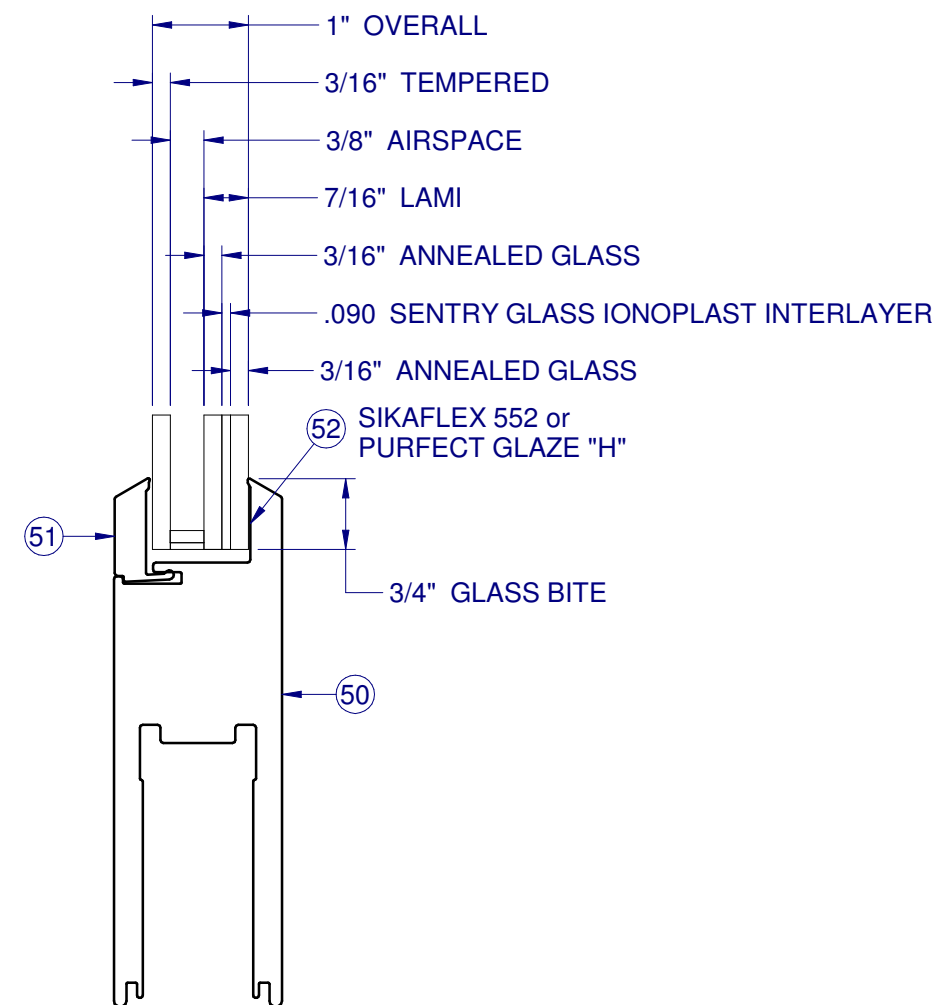
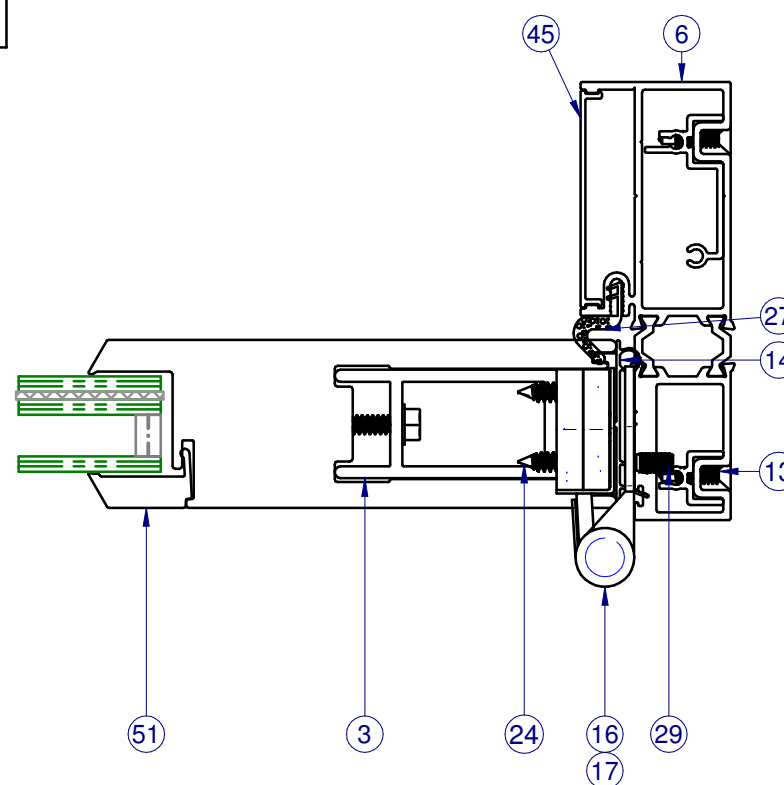


SECTION VIEW A-A



INTERIOR

SECTION VIEW B-B



ITEMS NOT SHOWN FOR CLARITY:
7, 10-11, 15, 18, 23, 25, 36-37, 39-41

PARTS LIST				
ITEM	PART #	DESCRIPTION	MATERIAL	VENDOR
1	H-1833	MAIN FRAME, HEAD	ALUM	KEYMARK
2	H-1777	REINFORCEMENT, VERT., @ LOCKSIDE	ALUM	KEYMARK
3	H-1825	REINFORCEMENT, VERT., @ HINGESIDE	ALUM	KEYMARK
4	H-1845	REINFORCEMENT, HORIZ.	ALUM	KEYMARK
5	H-1878	MAIN FRAME, SILL	ALUM	KEYMARK
6	H-1880	MAINFRAME, JAMB	ALUM	KEYMARK
7	P-3039	SETTTING BLOCK, 1/8 X 1 X 2	RUBBER	FRANKLOWE
9	P-3310	WSTP, .350 x .187, BLACK		ULTRAFAB
10	P-3511	SCREW #8 x 5/8" SQ. PAN TEK, SUPPORT		FASTENAL
11	P-3541	#8x1/2" QUAD TEK @ TIEROD BRKT	STEEL	FASTENAL
12	P-3635	#8x3/4" PHIL, FLAT, SMS	STEEL	FASTENAL
14	P-4774	WSTP, BULB/LEAFS, PANEL, @TOP,BTM,HINGE		AMESBURY
15	P-4802	ALL THREADED ROD (TIE ROD)		McMASTER
16	P-4807	HINGE, GUIDE		HOPPE
17	P-4808/4809	HINGE, SET, LEFT or RIGHT		HOPPE
18	P-4866	GUIDE, TIE ROD	NYLON	M&M
19	P-4871	TIE ROD BRACKET	ZINC	SULLIVAN
20	P-4884	LOCKBAR, MULTI-POINT, 5PT, 8 FT		PADDOCK
21	P-4885	SHOOT BOLT, TOP		PADDOCK
22	P-4886	SHOOT BOLT, BOTTOM		PADDOCK
23	P-4893	#8x1" PH, FLAT, SMS @ LOCK	STEEL	FASTENAL
24	P-4894	#10x1" PHIL, FLAT, SMS @ HINGE	STEEL	FASTENAL
25	P-4901	LOCK, 3PT		PADDOCK
26	P-4903	HANDLE SET, ACTIVE		PADDOCK
27	P-4913	WSTP, .50X.50 FOLDED BULB SEAL, @ DOOR		SCHELGEL
28	P-4933	NUT, 3/8"-16 FLANGED W/ SERRATED LIP, SS, @ PANEL		McMASTER
29	P-4934	#12-24 X 1/2", PH FLAT, MS, @ HINGE to PANEL		FASTENAL
30	P-4969	#10 X 2" REINF. ATTACH.	STEEL	FASTENAL
31	P-5127	#12 X 2", PH PAN, SMS, ANCHOR		FASTENAL
32	P-5130	GASKET, DOOR SILL, FRONT	FOAM	HO PRODUCTS
33	P-5131	GASKET, DOOR SILL, BACK	FOAM	HO PRODUCTS
34	P-5157	#10-24 x 1/2", FI Undercut PH, 18-8SS @ KEEPER		FASTENAL
36	P-5170	MOUNT, SHOOT BOLT		
37	P-5171	MOUNT, SHOOT BOLT		
39	P-4863	LOCK STRIKE PLATE		PADDOCK
40	P-4864	RHINO STRIKE PLATE		PADDOCK
41	P-5311	HINGE PAD		
42	P-5321	BRKT, SILL, FRONT ATTACH		
43	P-5322	BRKT, SILL, REAR ATTACH		
44	S-1783	THRESHOLD, HIGH RISE	ALUM	KEYMARK
45	S-1806	COVER, JAMB, ANCHOR	ALUM	KEYMARK
46	S-1817	DRIP CAP	ALUM	KEYMARK
47	S-1840	COVER, HEAD, ANCHOR	ALUM	KEYMARK
50	S-6083	PANEL, TOP/BTM RAIL, SIDES - DOOR	PVC	MIKRON
51	S-6084	GLAZING BEAD (1")	PVC	MIKRON
52		TRUSEAL SIKAFLEX 552 or HENKEL PURFECT GLAZE "H"		
53	GLASS	SEE SHEET 2		

LINE ITEMS NOT USED:
8, 13, 35, 38, 48-49

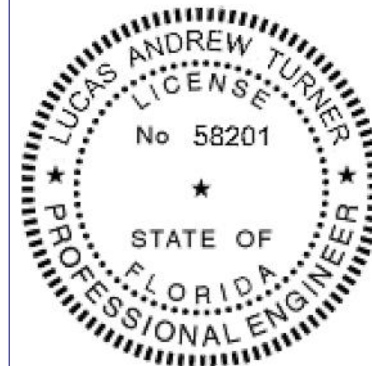


1900 SW 44TH AVE.
OCALA, FLORIDA 34474
WWW.CWS.CC

**8700 PVC
SWING DOOR
IMPACT**

NO.	DESCRIPTION:	BY:	DATE:
A	UPDATED PER 2014 FBC	EMK	03/07/15

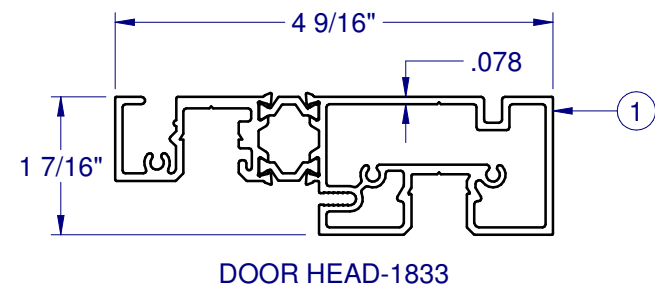
REVISIONS



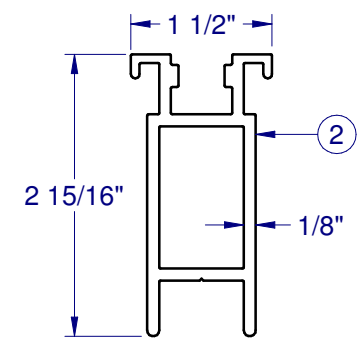
LUCAS A. TURNER, P.E.
FL PE # 58201
1239 JABARA AVE.
NORTH PORT, FL 34288
PH. 941-380-1574

SHEET DESCRIPTION:

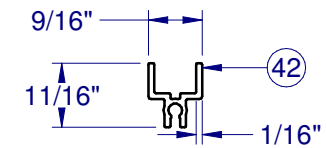
DRAWN BY: ADE	DATE: 09/20/12
DWG #: CWS-817	REV.: A
SCALE: 1:1	SHEET 3 OF 6



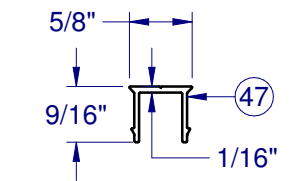
DOOR HEAD-1833



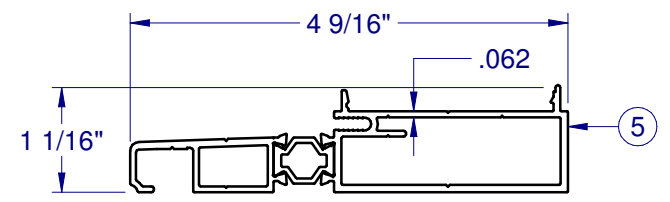
REINF. VERT. - 1777



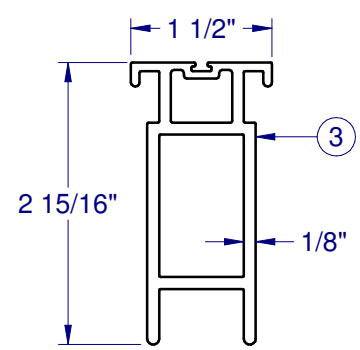
INSERT, FRONT - 5321



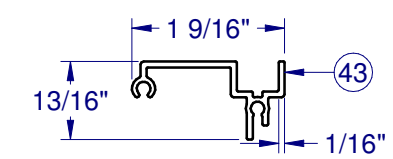
HEAD COVER - 1840



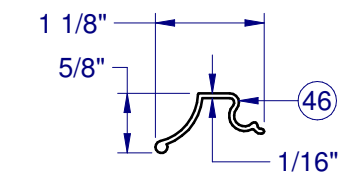
DOOR SILL-1878



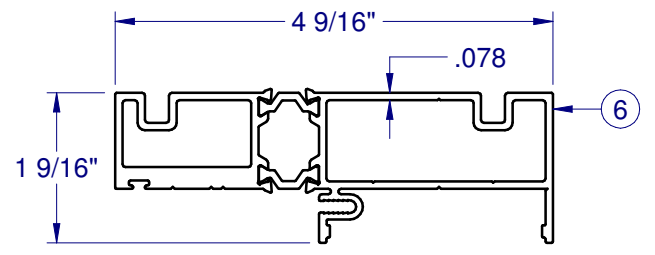
REINF., VERT. - 1825



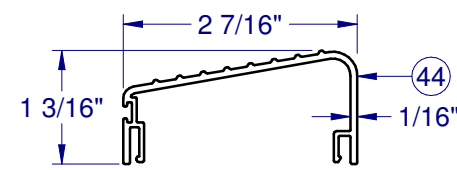
INSERT, BACK - 5322



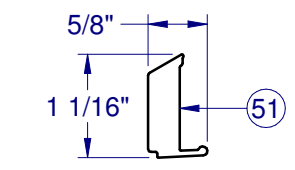
DRIP CAP - 1817



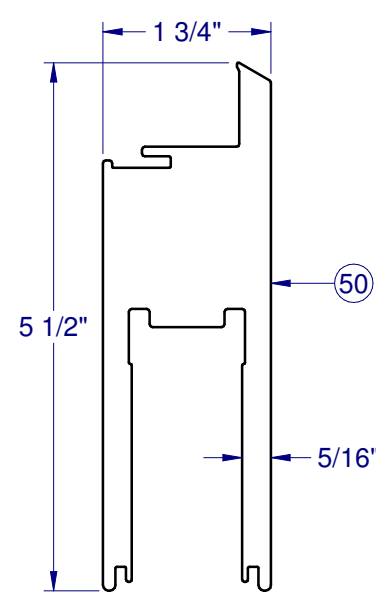
DOOR JAMB-1880



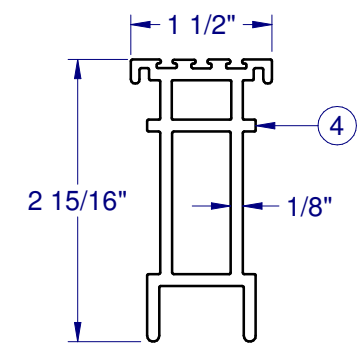
THRESHOLD - 1783



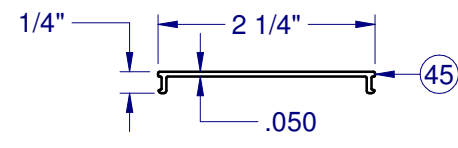
PVC GLAZING BEAD - 6084



PVC DOOR PANEL - 6083



REINF., HORZ. - 1845



FRAME COVER - 1806

8700 PVC SWING DOOR IMPACT

NO.	DESCRIPTION:	BY:	DATE:
A	UPDATED PER 2014 FBC	EMK	03/07/15

REVISIONS

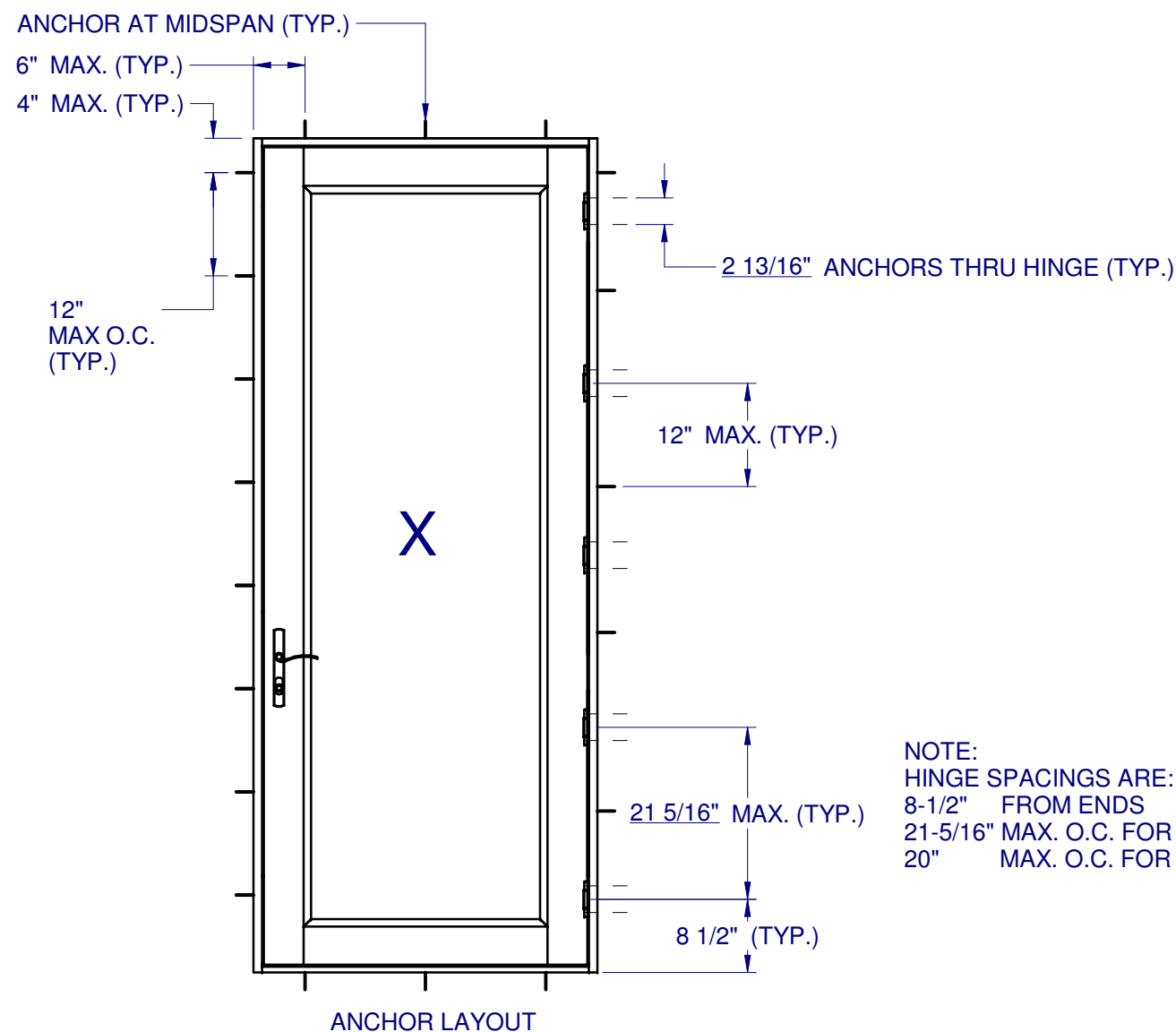
ZZ
4/18/2015

LUCAS A. TURNER, P.E.
FL PE # 58201
1239 JABARA AVE.
NORTH PORT, FL 34288
PH. 941-380-1574

SHEET DESCRIPTION:	
EXTRUSIONS	
DRAWN BY:	DATE:
ADE	09/20/12
DWG #:	REV.:
CWS-817	A
SCALE:	SHEET
1:2	4 OF 6

NOTE: ALL EXTRUSIONS ARE 6061-T6 ALUMINUM UNLESS OTHERWISE NOTED.

**8700 PVC
SWING DOOR
IMPACT**

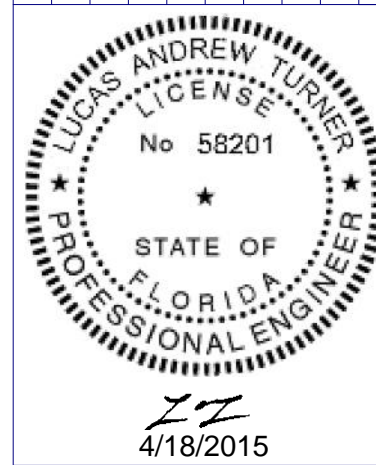


NOTE:
HINGE SPACINGS ARE:
8-1/2" FROM ENDS
21-5/16" MAX. O.C. FOR UP TO 81" UNIT HEIGHT.
20" MAX. O.C. FOR OVER 81" UNIT HEIGHT.

NOTES:

1. INSTALL ONE ANCHOR AT EACH INSTALLATION LOCATION. SILL ANCHOR SPACING SAME AS HEAD.
2. SHIM AS REQ AT EACH INSTALLATION ANCHOR USING LOAD BEARING SHIMS. MAX. ALLOWABLE SHIM STACK TO BE 1/4". USE SHIMS WHERE SPACE GREATER THAN 1/16" IS PRESENT. LOAD BEARING SHIMS SHALL BE CONSTRUCTED OF HIGH DENSITY PLASTIC OR BETTER. WOOD SHIMS ARE NOT ALLOWED.
3. ANCHOR TYPE, SIZE, SPACING AND EMBEDMENT SHALL BE AS SPECIFIED IN THESE DRAWINGS, SEE TABLE 1, SHEET 6.
4. ALL INSTALLATION ANCHORS MUST BE MADE OF OR PROTECTED WITH A CORROSION RESISTANT MATERIAL OR COATING. DISSIMILAR METALS OR MATERIALS IN CONTACT WITH PRESSURE TREATED WOOD MUST BE PROTECTED TO PREVENT REACTION.
5. INSTALLATION ANCHORS SHALL BE IN ACCORDANCE WITH ANCHOR MANUFACTURER'S INSTALLATION INSTRUCTIONS, AND ANCHORS SHALL NOT BE USED IN SUBSTRATES WITH STRENGTHS LESS THAN THE MINIMUM SPECIFIED IN TABLE 1, SHEET 6.
6. ANCHOR EMBEDMENT TO SUBSTRATE SHALL BE BEYOND WALL DRESSING OR STUCCO. FOR CONCRETE/CMU OPENINGS, EMBEDMENT SHALL BE BEYOND WOOD BUCKS, IF USED, INTO SUBSTRATE. INSTALLATIONS TO SOLID CONCRETE OR GROUT-FILLED CMU MAY INCLUDE BUT DO NOT REQUIRE 1X WOOD BUCKS BETWEEN THE PRODUCT AND SUBSTRATE. INSTALLATIONS TO HOLLOW CMU REQUIRE THE USE OF 1X BUCKS BETWEEN THE PRODUCT AND SUBSTRATE.
7. A MINIMUM CENTER-TO-CENTER SPACING SHALL BE MAINTAINED BETWEEN ALL FASTENERS: 4" FOR MASONRY, 2-13/16" FOR HINGES (ALL SUBSTRATES), 1" FOR WOOD AND METAL.
8. WOOD OR MASONRY OPENINGS, BUCKS AND BUCK FASTENERS SHALL BE PROPERLY DESIGNED BY THE ARCHITECT OR ENGINEER OF RECORD AND INSTALLED TO TRANSFER WIND LOADS TO THE STRUCTURE. SUBSTRATES SHALL MEET THE MINIMUM STRENGTH REQUIREMENTS AS SHOWN IN TABLE 1, SHEET 6. CONCRETE AND MASONRY SUBSTRATES MAY NOT BE CRACKED.
9. SEALING AND FLASHING STRATEGIES FOR OVERALL WATER RESISTANCE OF INSTALLATION SHALL BE DONE BY OTHERS FOLLOWING THE CURRENT VERSION OF THE REFERENCE DOCUMENTS: FMA/AAMA 100(FIN WINDOWS), FMA/AAMA 200(FLANGE WINDOWS), FMA/WDMA 250(BOX WINDOWS), FMA/AAMA/WDMA 300(EXTERIOR DOORS)

NO.	DESCRIPTION:	BY:	DATE:
A	UPDATED PER 2014 FBC	EMK	03/07/15



LUCAS A. TURNER, P.E.
FL PE # 58201
1239 JABARA AVE.
NORTH PORT, FL 34288
PH. 941-380-1574

SHEET DESCRIPTION:
ANCHOR SCHEDULE AND NOTES

DRAWN BY: ADE	DATE: 09/20/12
DWG #: CWS-817	REV.: A
SCALE: 1:20	SHEET 5 OF 6

