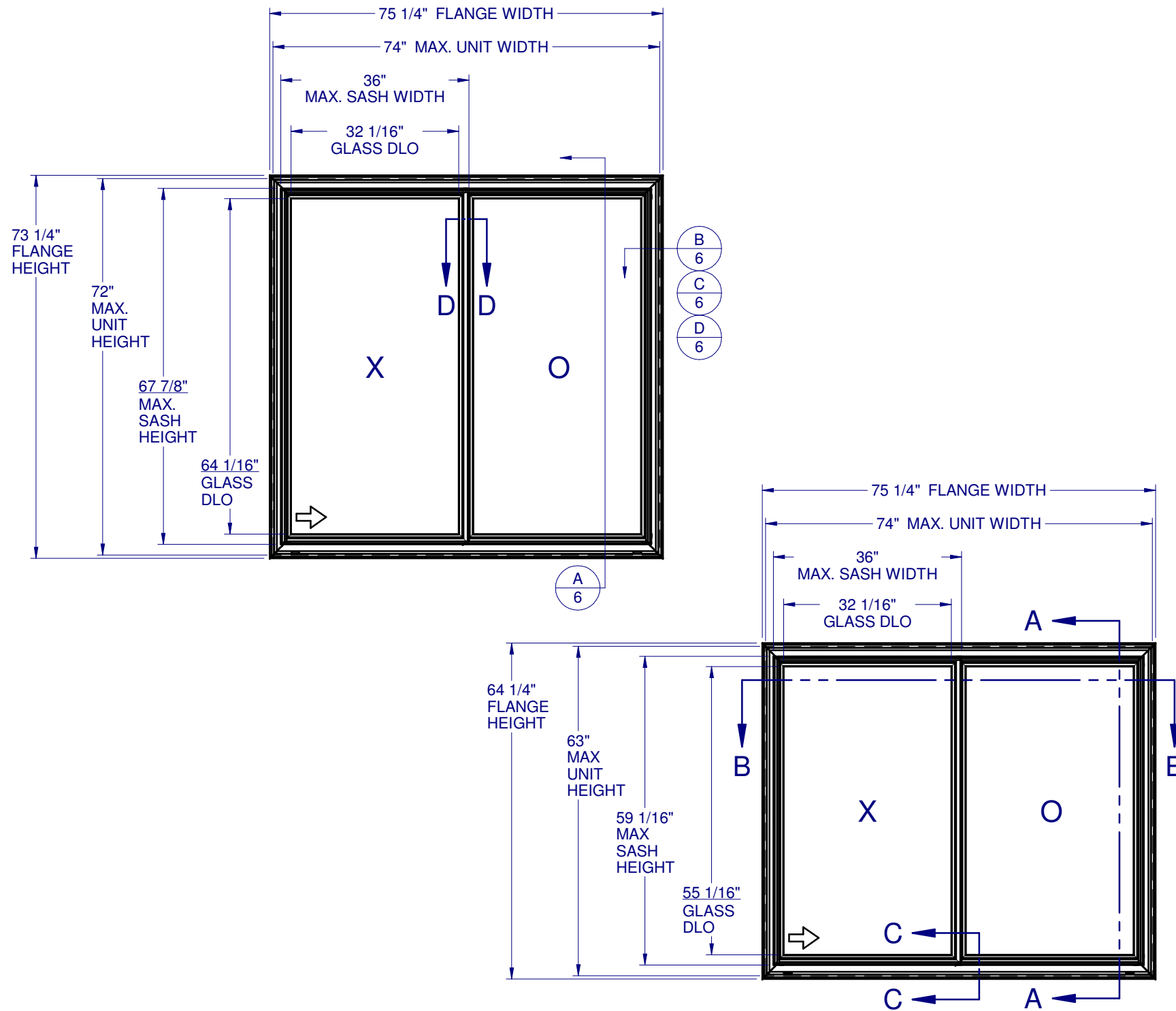


HORIZONTAL SLIDER - NON-IMPACT



GENERAL NOTES:

1. THE PRODUCT SHOWN HEREIN IS DESIGNED AND MANUFACTURED TO COMPLY WITH THE FLORIDA BUILDING CODE (FBC), CURRENT EDITION.
2. GLAZING OPTIONS: (SEE SHEET 2)
3. CONFIGURATIONS: "OX" OR "XO".
4. DESIGN PRESSURE RATING (SEE SHEET 2):
 -NEGATIVE DESIGN LOADS BASED ON, TESTED PRESSURE AND GLASS TABLES ASTM E-1300-04.
 -POSITIVE DESIGN LOADS BASED ON, TESTED PRESSURE, WATER INFILTRATION TEST PRESSURE AND GLASS TABLES ASTM E-1300-04.
5. ANCHORAGE: THE 33 1/3% STRESS INCREASE HAS NOT BEEN USED IN THE DESIGN OF THIS PRODUCT. SEE SHEET 6 FOR ANCHOR DETAILS. WINDLOAD DURATION FACTOR Cd=1.6 WAS USED FOR WOOD ANCHOR CALCULATIONS.
6. NOT APPROVED FOR IMPACT RESISTANCE. IMPACT PROTECTIVE SYSTEM IS REQUIRED IN WIND BORNE DEBRIS REGION.
7. ALL FRAMES AND VENTS FULLY WELDED.
8. SERIES / MODEL DESIGNATION HS-620.
9. THE DESIGNATION X AND O STAND FOR THE FOLLOWING:
 X = OPERABLE SASH, O = FIXED SASH
10. SECTION CALLOUTS APPLY TO ALL ELEVATIONS IN A SIMILAR LOCATION.
11. EXTERNAL WEEP SLOT = 5/16" x 2-1/8" LOCATED 4-1/2" FROM BOTH ENDS.

Custom
WINDOW SYSTEMS
 1900 SW 44TH AVE.
 OCALA, FLORIDA 34474
 WWW.CWS.CC

620 PVC HORIZ. SLIDER NON-IMPACT

NO.	DESCRIPTION:	BY:	DATE:
A	UPDATED PER 2014 FBC - ADDED CONFIGS	EMK	04/21/15



LUCAS A. TURNER, P.E.
 FL PE # 58201
 1239 JABARA AVE.
 NORTH PORT, FL 34288
 PH. 941-380-1574

SHEET DESCRIPTION:
 GENERAL NOTES AND ELEVATIONS

DRAWN BY: EMK	DATE: 09/23/14
DWG #: CWS-1031	REV.: A
SCALE: 1:25	SHEET 1 OF 6

TABLE OF CONTENTS

- GENERAL NOTES & ELEVATIONS.....1
- DP CHARTS & GLAZING DETAIL.....2
- SECTION VIEWS.....3
- EXTRUSIONS & B.O.M.....4
- ANCHOR SCHEDULE & NOTES.....5
- INSTALLATION DETAIL.....6

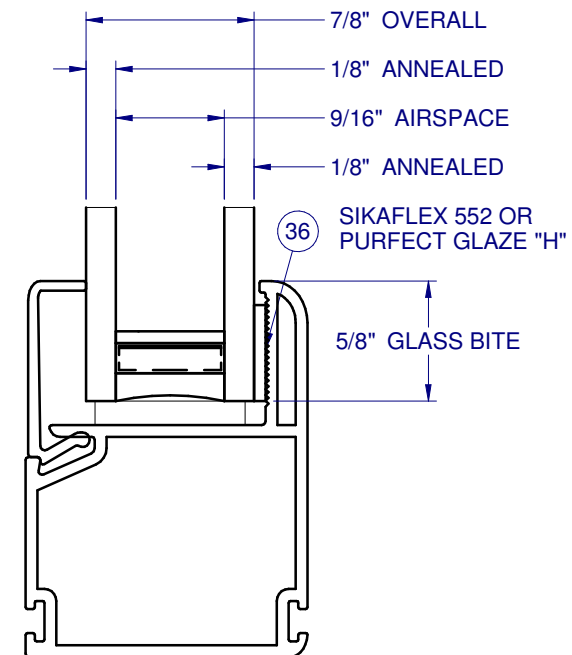
MAX. UNIT SIZE	2011 MTG. RAIL REINF.	DESIGN PRESSURE RATING	IMPACT RATING
74" x 63"	NO	SEE COMPARATIVE ANALYSIS CHARTS, SHEET 2	NONE
74" x 72"	YES		

FLANGE WINDOW DESIGN PRESSURES FOR EQUAL SPLIT "OX" or "XO" WITH GLASS TYPES A, B, C, OR D								
Unit Width	Unit Height							
	35 1/2	39 1/2	43 1/2	47 1/2	51 1/2	55 1/2	59 1/2	63
39 1/2	+50 / -75	+50 / -75	+50 / -75	+50 / -75	+50 / -75	+50 / -75	+50 / -75	+50 / -75
43 1/2	+50 / -75	+50 / -75	+50 / -75	+50 / -75	+50 / -75	+50 / -75	+50 / -75	+50 / -72.6
47 1/2	+50 / -75	+50 / -75	+50 / -75	+50 / -75	+50 / -75	+50 / -75	+50 / -70.2	+50 / -66.5
51 1/2	+50 / -75	+50 / -75	+50 / -75	+50 / -75	+50 / -75	+50 / -74	+50 / -67.5	+50 / -62.1
55 1/2	+50 / -75	+50 / -75	+50 / -75	+50 / -75	+50 / -75	+50 / -71.3	+50 / -65	+50 / -60.4
59 1/2	+50 / -75	+50 / -75	+50 / -75	+50 / -75	+50 / -75	+50 / -68.1	+50 / -62	+50 / -57.5
63 1/2	+50 / -67.9	+50 / -67.9	+50 / -67.9	+50 / -67.9	+50 / -67.9	+50 / -65.4	+50 / -59.4	+50 / -55
67 1/2	+50 / -60.1	+50 / -60.1	+50 / -60.1	+50 / -60.1	+50 / -60.1	+50 / -60.1	+50 / -57.2	+50 / -52.9
71 1/2	+50 / -53.6	+50 / -53.6	+50 / -53.6	+50 / -53.6	+50 / -53.6	+50 / -53.6	+50 / -53.6	+50 / -51
74	+50 / -50.1	+50 / -50	+50 / -50	+50 / -50	+50 / -50	+50 / -50	+50 / -50	+50 / -50

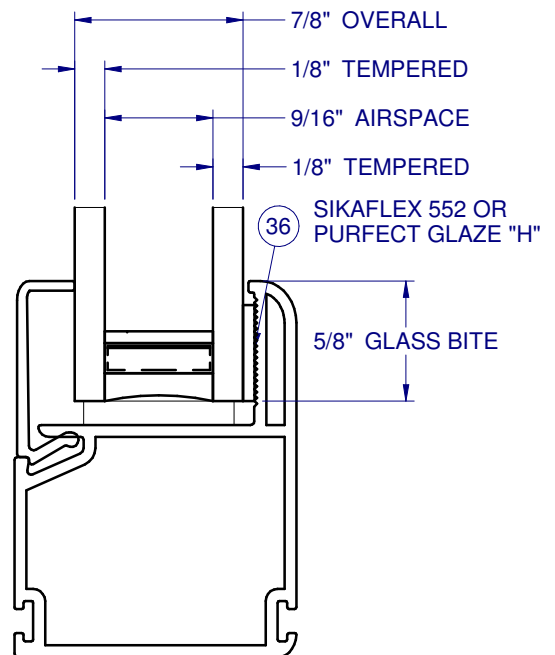
FIN WINDOW DESIGN PRESSURES FOR EQUAL SPLIT "OX" or "XO" WITH GLASS TYPES A, B, C, OR D								
Unit Width	Unit Height							
	35 1/2	39 1/2	43 1/2	47 1/2	51 1/2	55 1/2	59 1/2	63
39 1/2	+50 / -75	+50 / -75	+50 / -75	+50 / -75	+50 / -75	+50 / -75	+50 / -75	+50 / -70.6
43 1/2	+50 / -75	+50 / -75	+50 / -75	+50 / -75	+50 / -75	+50 / -75	+50 / -70.1	+50 / -65.4
47 1/2	+50 / -75	+50 / -75	+50 / -75	+50 / -75	+50 / -75	+50 / -71.5	+50 / -65.5	+50 / -61
51 1/2	+50 / -75	+50 / -75	+50 / -75	+50 / -75	+50 / -74.5	+50 / -67.5	+50 / -61.7	+50 / -57.4
55 1/2	+50 / -75	+50 / -75	+50 / -75	+50 / -75	+50 / -71	+50 / -64.1	+50 / -58.5	+50 / -54.4
59 1/2	+50 / -69.6	+50 / -69.6	+50 / -69.6	+50 / -69.6	+50 / -68	+50 / -61.3	+50 / -55.8	+50 / -51.8
63 1/2	+50 / -61.1	+50 / -61.1	+50 / -61.1	+50 / -61.1	+50 / -61.1	+50 / -58.9	+50 / -53.5	+49.5 / -49.5
67 1/2	+50 / -54.1	+50 / -54.1	+50 / -54.1	+50 / -54.1	+50 / -54.1	+50 / -54.1	+50 / -51.5	+47.6 / -47.6
71 1/2	+48.2 / -48.2	+48.2 / -48.2	+48.2 / -48.2	+48.2 / -48.2	+48.2 / -48.2	+48.2 / -48.2	+48.2 / -48.2	+45.9 / -45.9
74	+45.1 / -45.1	+45 / -45	+45 / -45	+45 / -45	+45 / -45	+45 / -45	+45 / -45	+45 / -45

FIN OR FLANGE WINDOW WITH 2011 MTG RAIL REINF. DESIGN PRESSURES FOR EQUAL SPLIT "O/X" or "X/O" WITH GLASS TYPES C OR D										
Unit Width	Unit Height									
	35 1/2	39 1/2	43 1/2	47 1/2	51 1/2	55 1/2	59 1/2	63 1/2	67 1/2	72
39 1/2	+50 / -75	+50 / -75	+50 / -75	+50 / -75	+50 / -75	+50 / -75	+50 / -75	+50 / -75	+50 / -75	+50 / -75
43 1/2	+50 / -75	+50 / -75	+50 / -75	+50 / -75	+50 / -75	+50 / -75	+50 / -75	+50 / -75	+50 / -75	+50 / -74.4
47 1/2	+50 / -75	+50 / -75	+50 / -75	+50 / -75	+50 / -75	+50 / -75	+50 / -75	+50 / -75	+50 / -74.9	+50 / -69.3
51 1/2	+50 / -75	+50 / -75	+50 / -75	+50 / -75	+50 / -75	+50 / -75	+50 / -75	+50 / -75	+50 / -70.4	+50 / -65.0
55 1/2	+50 / -75	+50 / -75	+50 / -75	+50 / -75	+50 / -75	+50 / -75	+50 / -75	+50 / -71.9	+50 / -66.5	+50 / -61.4
59 1/2	+50 / -75	+50 / -75	+50 / -75	+50 / -75	+50 / -75	+50 / -75	+50 / -74.6	+50 / -68.4	+50 / -63.2	+50 / -58.2
63 1/2	+50 / -67.9	+50 / -67.9	+50 / -67.9	+50 / -67.9	+50 / -67.9	+50 / -67.9	+50 / -67.9	+50 / -65.5	+50 / -60.4	+50 / -55.5
67 1/2	+50 / -60.1	+50 / -60.1	+50 / -60.1	+50 / -60.1	+50 / -60.1	+50 / -60.1	+50 / -60.1	+50 / -60.1	+50 / -57.9	+50 / -53.2
71 1/2	+50 / -53.6	+50 / -53.6	+50 / -53.6	+50 / -53.6	+50 / -53.6	+50 / -53.6	+50 / -53.6	+50 / -53.6	+50 / -53.6	+50 / -51.2
74	+50 / -50.1	+50 / -50	+50 / -50	+50 / -50	+50 / -50	+50 / -50	+50 / -50	+50 / -50	+50 / -50	+50 / -50

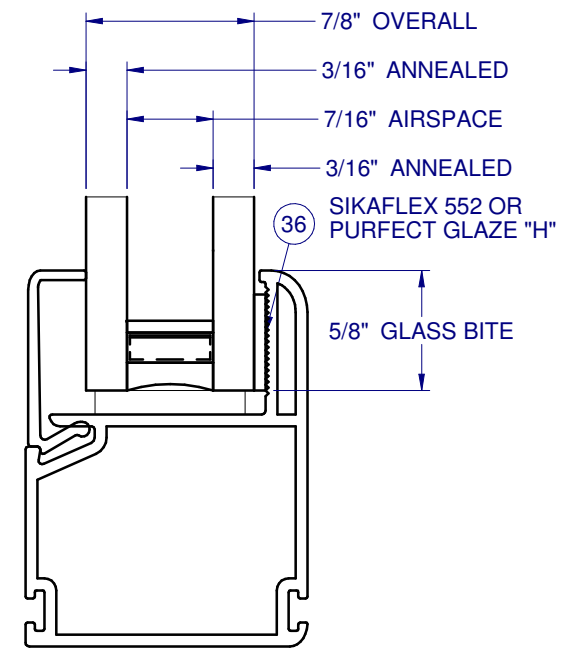
NOTE:
IF SIZE INTENDED IS NOT SHOWN, USE NEXT LARGER SIZE.



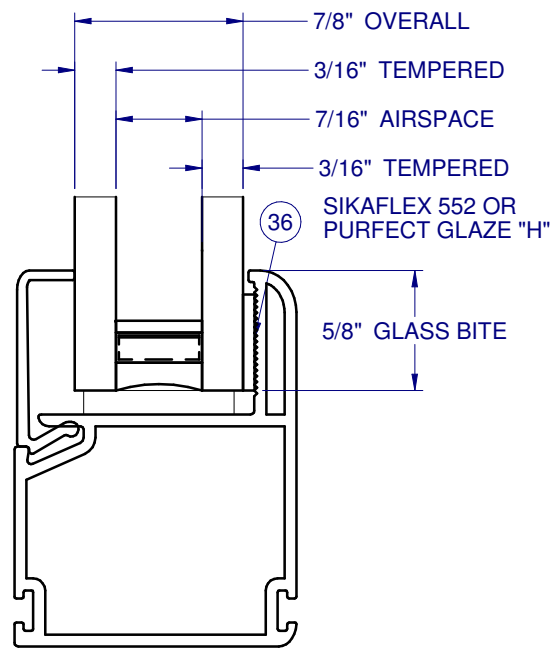
GLASS TYPE A



GLASS TYPE B



GLASS TYPE C

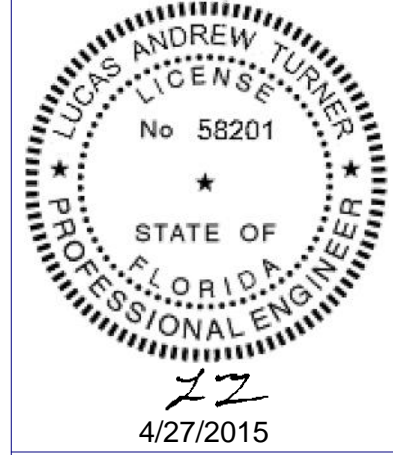


GLASS TYPE D

Custom WINDOW SYSTEMS
1900 SW 44TH AVE.
OCALA, FLORIDA 34474
WWW.CWS.CC

620 PVC HORIZ. SLIDER NON-IMPACT

EMK	04/21/15	DATE:
A	NO.	DESCRIPTION:
		REVISIONS



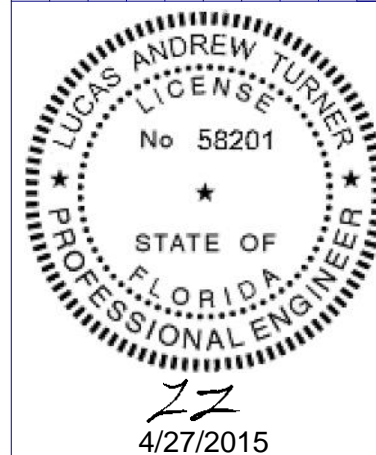
LUCAS A. TURNER, P.E.
FL PE # 58201
1239 JABARA AVE.
NORTH PORT, FL 34288
PH. 941-380-1574

SHEET DESCRIPTION: DESIGN PRESSURE CHARTS AND GLAZING DETAILS	
DRAWN BY: EMK	DATE: 09/23/14
DWG #: CWS-1031	REV.: A
SCALE: 1:1	SHEET 2 OF 6

**620 PVC
HORIZ. SLIDER
NON-IMPACT**

NO.	DESCRIPTION:	BY:	DATE:
A	UPDATED PER 2014 FBC - ADDED CONFIGS	EMK	04/21/15

REVISIONS

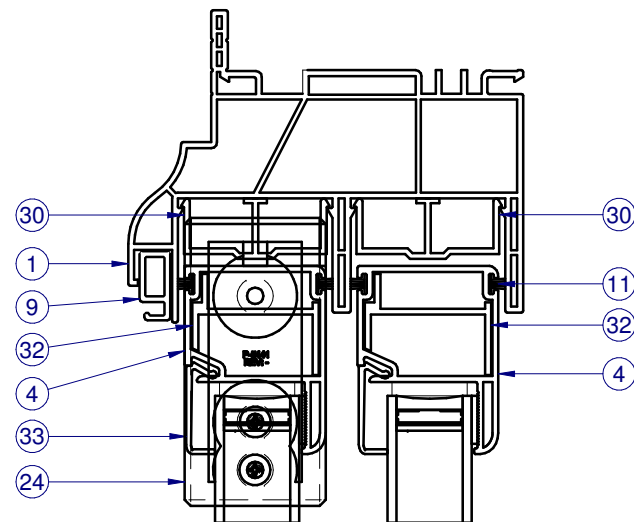


LUCAS A. TURNER, P.E.
FL PE # 58201
1239 JABARA AVE.
NORTH PORT, FL 34288
PH. 941-380-1574

SHEET DESCRIPTION:

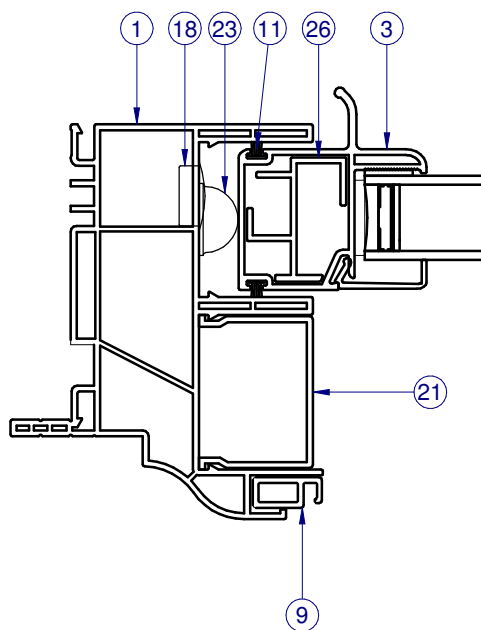
SECTION VIEWS

DRAWN BY:	DATE:
EMK	09/23/14
DWG #:	REV.:
CWS-1031	A
SCALE:	SHEET
1:2	3 OF 6

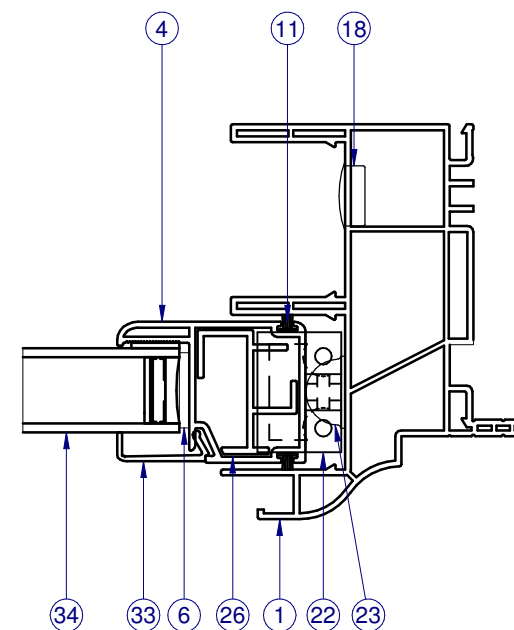
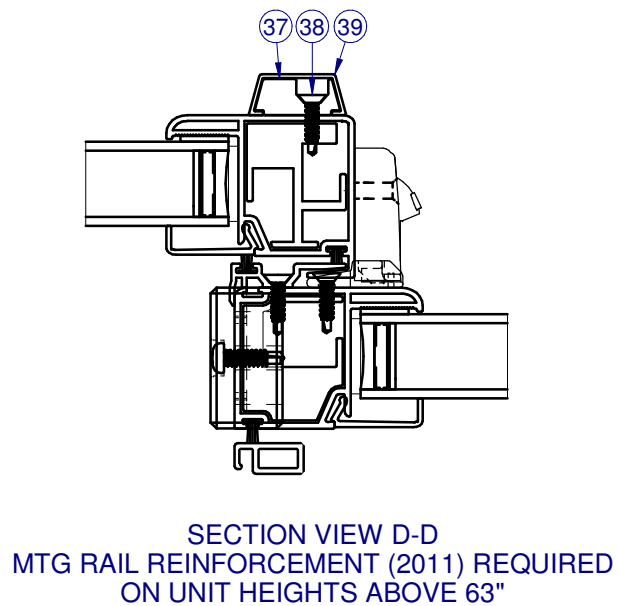
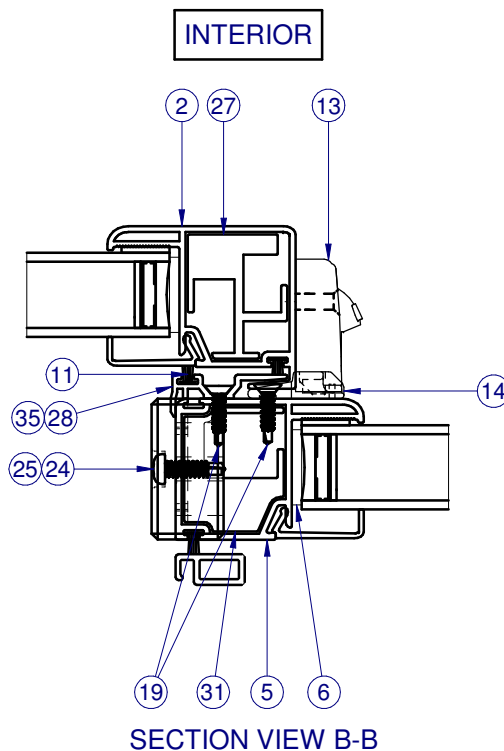


SECTION VIEW A-A

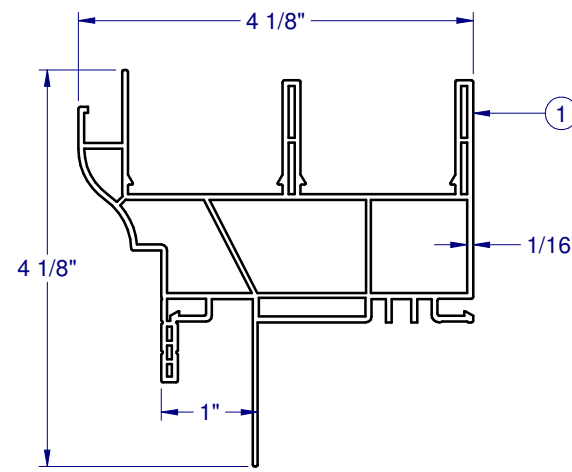
ITEMS NOT SHOWN FOR CLARITY:
7-8, 10, 12, 15-16 & 21



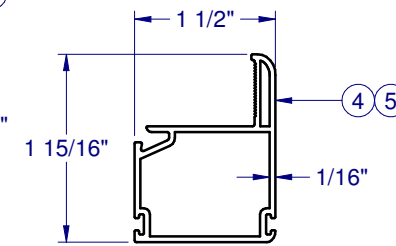
SECTION VIEW C-C
ALTERNATE FIN FRAME



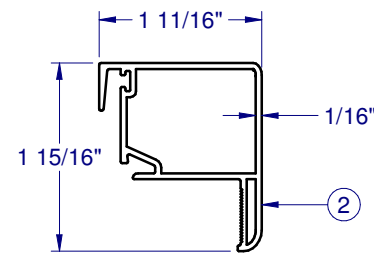
PARTS LIST				
ITEM	PART	DESCRIPTION	MATERIAL	VENDOR
1	H-6127	MAIN FRAME	PVC	ATN
2	H-6135	SASH INTERLOCK RAIL, INT. PANEL	PVC	ATN
3	H-6139	SASH DRAW RAIL	PVC	ATN
4	H-6140	SASH TOP/BTM/SIDE RAIL	PVC	ATN
5	H-6140	SASH INTERLOCK RAIL, EXT. PANEL	PVC	ATN
6	P-3028	SETTING BLOCK, 1/8" x 7/8" x 2"		FRANK LOWE
7	P-3029	SCREEN LIFT TABS	STEEL	SUMMIT
8	P-3033	SCREEN SPRINGS	STEEL	FLA SCREEN
9	P-3218	SCREEN FRAME	ALUM	FLA SCREEN
10	P-3228	SCREEN SPLINE		DAPA
11	P-3305	WTSP., 0.187" x 0.270" SOFT FIN		AMESBURY
12	P-3511	#8-18 x 0.625" PN PH TEK #2 POINT ZP	STEEL	FASTENAL
13	P-3783	IMPACT SASH LOCK		INTERLOCK
14	P-3784	KEEPER		INTERLOCK
15	P-4146	#8-18 x 0.750" FH PH #2 POINT TEK ZP	STEEL	FASTENAL
16	P-4754	SCREEN CORNER KEY	NYLON	FLA SCREEN
17	P-5420	WEEP COVER ASSY	NYLON	ASHLAND
18	P-5421	0.625" HOLE PLUG	NYLON	HEYCO
19	P-5423	#8-18 x 0.500" PN PH TEK #2 POINT ZP	STEEL	FASTENAL
20	P-5428	ROLLER ASSY		AMESBURY
21	P-5429	EXTERIOR TRACK FILLER INSERT	PVC	TEAM PLASTICS
22	P-5430	FIXED PANEL LOCK BRACKET	NYLON	M&M
23	P-5436	JAMB BUMPER	RUBBER	MINOR RUBBER
24	P-5451	T BLOCK	NYLON	
25	P-5448	#8 x 1.50" PN PH #2 POINT TEK ZP	STEEL	FASTENAL
26	S-2004	REINF., SIDE RAIL	ALUM	ASCEND
27	S-2005	REINF., MEETING RAIL, INT. PANEL	ALUM	ASCEND
28	S-2029	INTERLOCK ADAPTOR	ALUM	ASCEND
29	S-2030	ROLLER TRACK	ALUM	ASCEND
30	S-2030	ANTI-LIFT FILLER	ALUM	ASCEND
31	S-2043	REINF., MEETING RAIL, EXT. PANEL	ALUM	KEYMARK
32	S-2044	REINF., TOP/BOTTOM RAIL	ALUM	ASCEND
33	S-6141	0.875" GLAZING BEAD	PVC	ATN
34	GLASS	SEE SHEET 2		
35		DOW CORNING 1199	SILICONE	
36		PURFECT GLAZE "H", SIKAFLEX 552	SILICONE	HENKEL / SIKA
37	S-2011	REINF., EXTERNAL	ALUM	ASCEND
38	P-3515	#8 x 5/8" PH FLAT WHITE SMS	STEEL	FASTENAL
39	P-5400	COVER, EXT. REINF.	PVC	TEAM PLASTICS



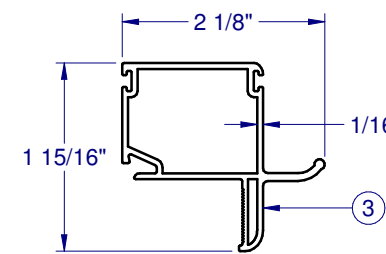
PVC MAIN FRAME - H-6127



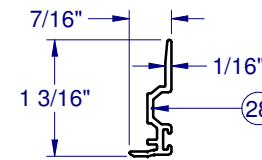
PVC TOP/BTM RAIL - H-6140



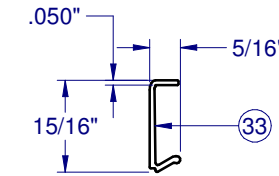
PVC INTERLOCK RAIL - H-6135



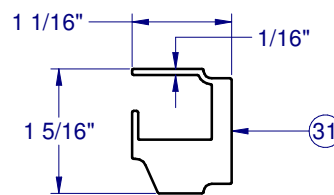
PVC DRAW RAIL - 6139



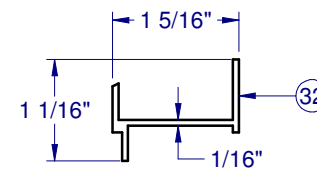
ALUM INTERLOCK - S-2029



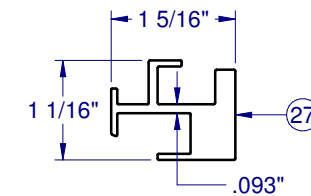
PVC GLAZING BEAD - S-6141



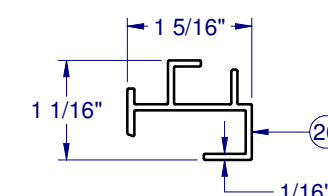
ALUM REINF. - S-2043



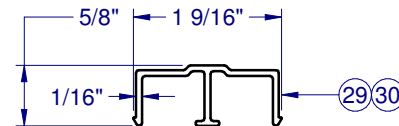
ALUM REINF. - S-2044



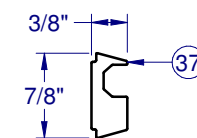
ALUM REINF. - S-2005



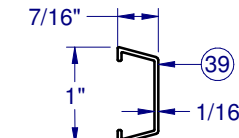
ALUM REINF. - S-2004



ALUM ROLLER TRACK - S-2030

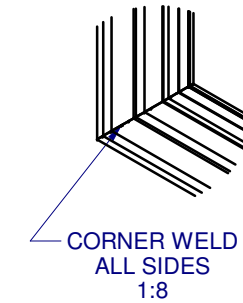


ALUM EXT. REINF. - S-2011



PVC COVER - P-5400

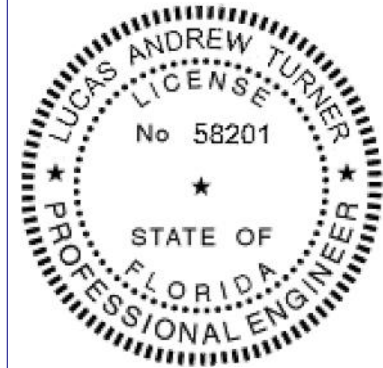
CORNER CONSTRUCTION



Custom
WINDOW SYSTEMS
1900 SW 44TH AVE.
OCALA, FLORIDA 34474
WWW.CWS.CC

**620 PVC
HORIZ. SLIDER
NON-IMPACT**

NO.	DESCRIPTION	BY	DATE
A	UPDATED PER 2014 FBC - ADDED CONFIGS	EMK	04/21/15



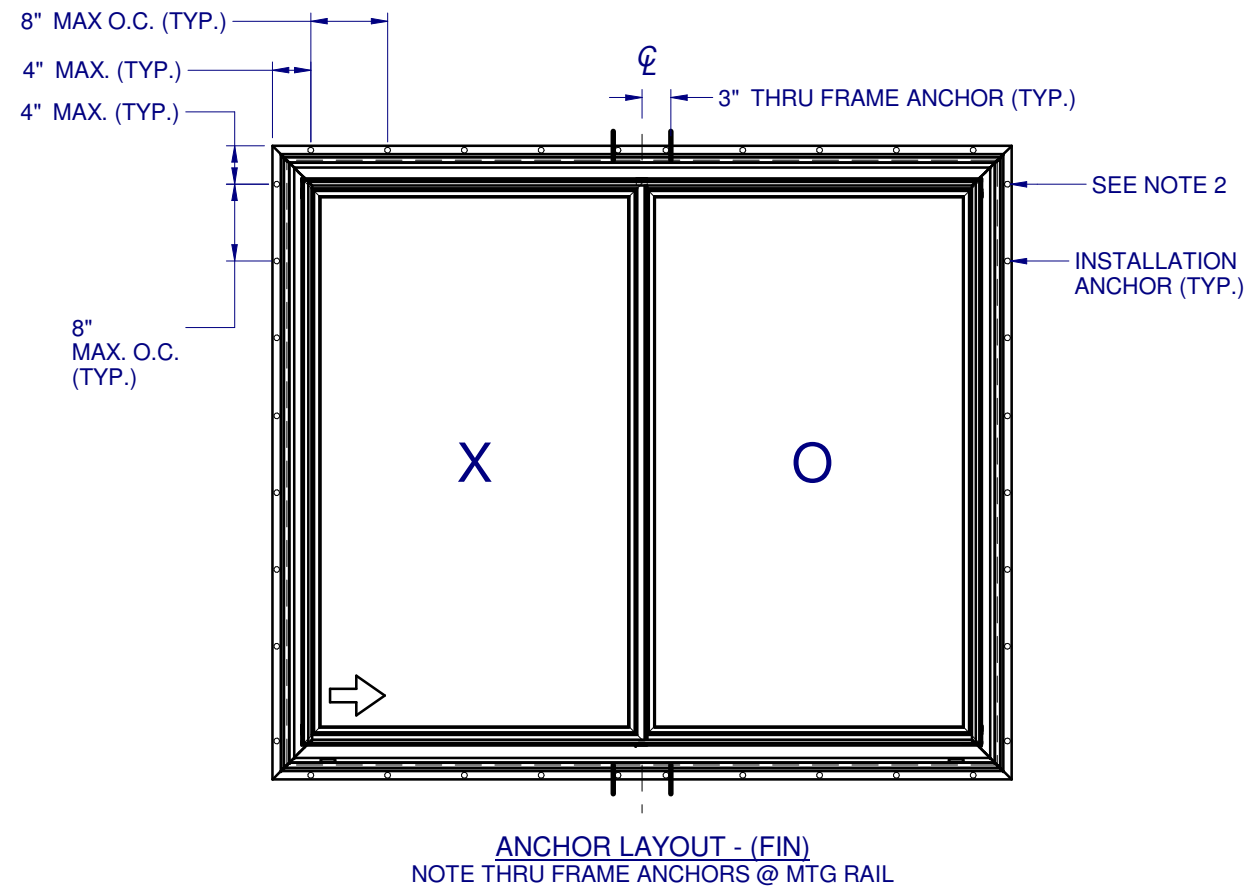
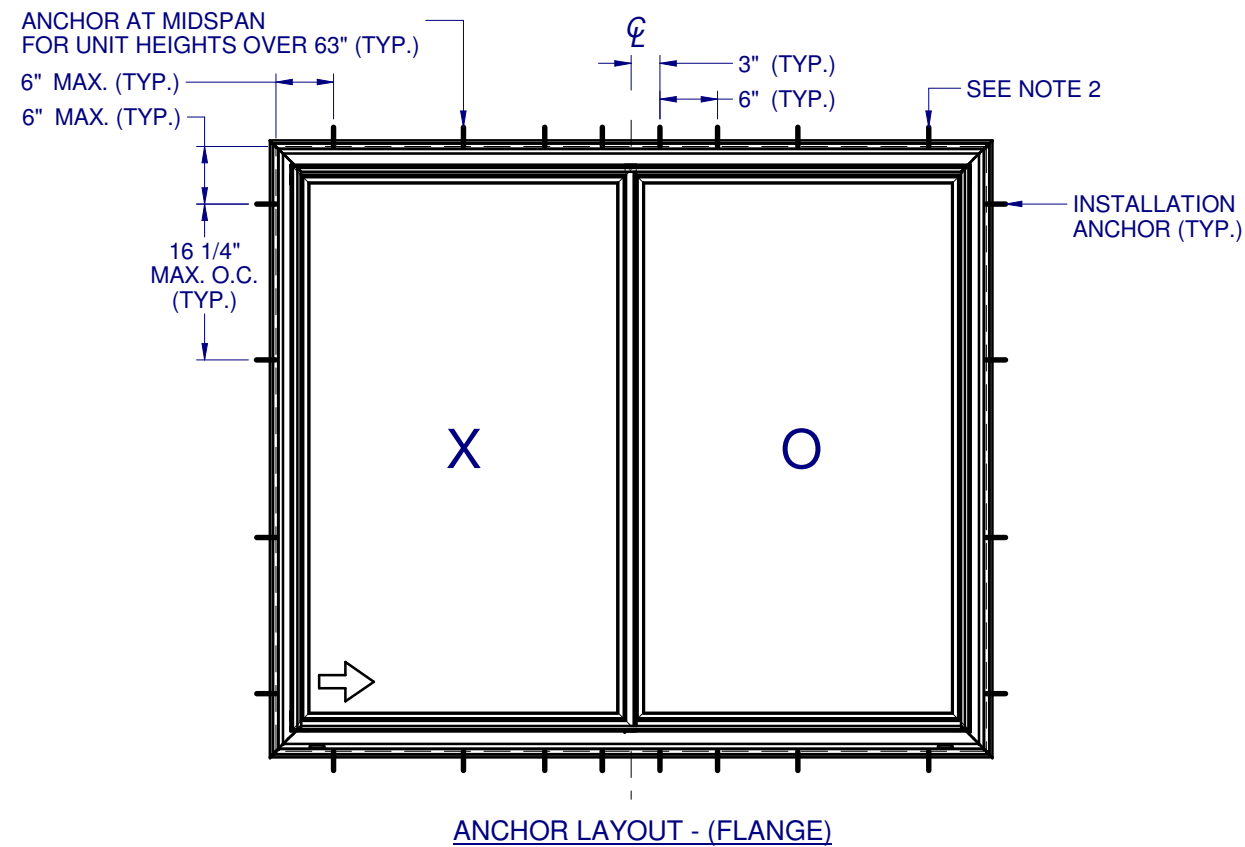
22
4/27/2015
LUCAS A. TURNER, P.E.
FL PE # 58201
1239 JABARA AVE.
NORTH PORT, FL 34288
PH. 941-380-1574

SHEET DESCRIPTION:

DRAWN BY: EMK	DATE: 09/23/14
DWG #: CWS-1031	REV.: A
SCALE: 1:2	SHEET 4 OF 6

NOTE: ALL EXTRUSIONS ARE ALUMINUM 6063-T6 UNLESS OTHERWISE NOTED.

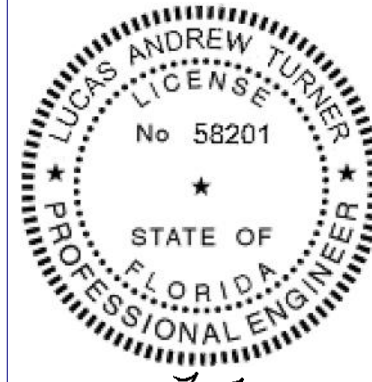
**620 PVC
HORIZ. SLIDER
NON-IMPACT**



NOTES:

1. INSTALL ONE ANCHOR AT EACH INSTALLATION LOCATION. SILL ANCHOR SPACING SAME AS HEAD.
2. SHIM AS REQ AT EACH INSTALLATION ANCHOR USING LOAD BEARING SHIMS. MAX. ALLOWABLE SHIM STACK TO BE 1/4". USE SHIMS WHERE SPACE GREATER THAN 1/16" IS PRESENT. LOAD BEARING SHIMS SHALL BE CONSTRUCTED OF HIGH DENSITY PLASTIC OR BETTER. WOOD SHIMS ARE NOT ALLOWED.
3. ANCHOR TYPE, SIZE, SPACING AND EMBEDMENT SHALL BE AS SPECIFIED IN THESE DRAWINGS, SEE TABLE 1, SHEET 6.
4. ALL INSTALLATION ANCHORS MUST BE MADE OF OR PROTECTED WITH A CORROSION RESISTANT MATERIAL OR COATING. DISSIMILAR METALS OR MATERIALS IN CONTACT WITH PRESSURE TREATED WOOD MUST BE PROTECTED TO PREVENT REACTION.
5. INSTALLATION ANCHORS SHALL BE IN ACCORDANCE WITH ANCHOR MANUFACTURER'S INSTALLATION INSTRUCTIONS, AND ANCHORS SHALL NOT BE USED IN SUBSTRATES WITH STRENGTHS LESS THAN THE MINIMUM SPECIFIED IN TABLE 1, SHEET 6.
6. ANCHOR EMBEDMENT TO SUBSTRATE SHALL BE BEYOND WALL DRESSING OR STUCCO. FOR CONCRETE/CMU OPENINGS, EMBEDMENT SHALL BE BEYOND WOOD BUCKS, IF USED, INTO SUBSTRATE - 1X BUCKS ARE OPTIONAL.
7. A MINIMUM CENTER-TO-CENTER SPACING SHALL BE MAINTAINED BETWEEN ALL FASTENERS: 3" FOR MASONRY, 1" FOR WOOD AND METAL.
8. WOOD OR MASONRY OPENINGS, BUCKS AND BUCK FASTENERS SHALL BE PROPERLY DESIGNED BY THE ARCHITECT OR ENGINEER OF RECORD AND INSTALLED TO TRANSFER WIND LOADS TO THE STRUCTURE. SUBSTRATES SHALL MEET THE MINIMUM STRENGTH REQUIREMENTS AS SHOWN IN TABLE1, SHEET 6. CONCRETE AND MASONRY SUBSTRATES MAY NOT BE CRACKED.
9. SEALING AND FLASHING STRATEGIES FOR OVERALL WATER RESISTANCE OF INSTALLATION SHALL BE DONE BY OTHERS FOLLOWING THE CURRENT VERSION OF THE REFERENCE DOCUMENTS:
FMA/AAMA 100(FIN WINDOWS), FMA/AAMA 200(FLANGE WINDOWS), FMA/WDMA 250(BOX WINDOWS), FMA/AAMA/WDMA 300(EXTERIOR DOORS)

EMK	04/21/15	DATE:
BY:		
DESCRIPTION:		REVISIONS
A	UPDATED PER 2014 FBC - ADDED CONFIGS	



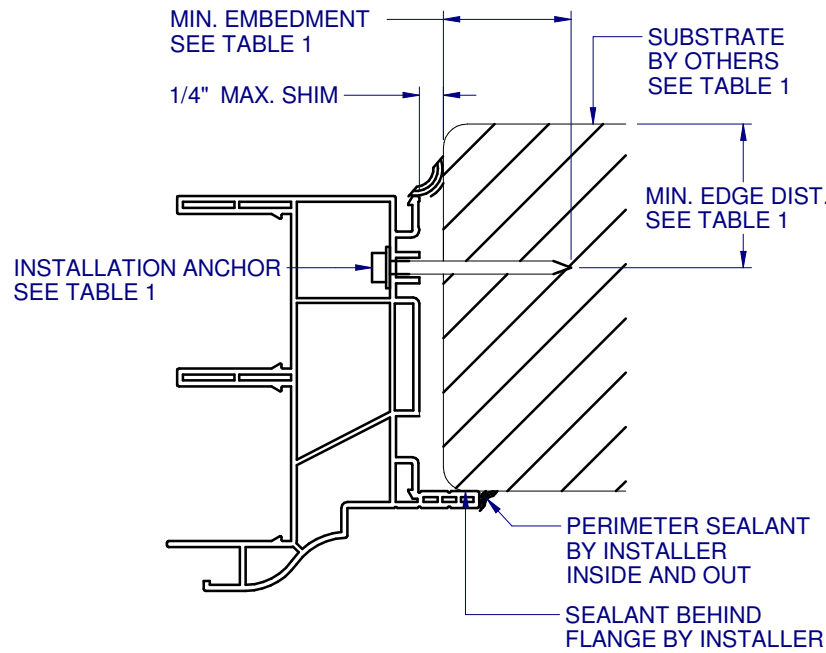
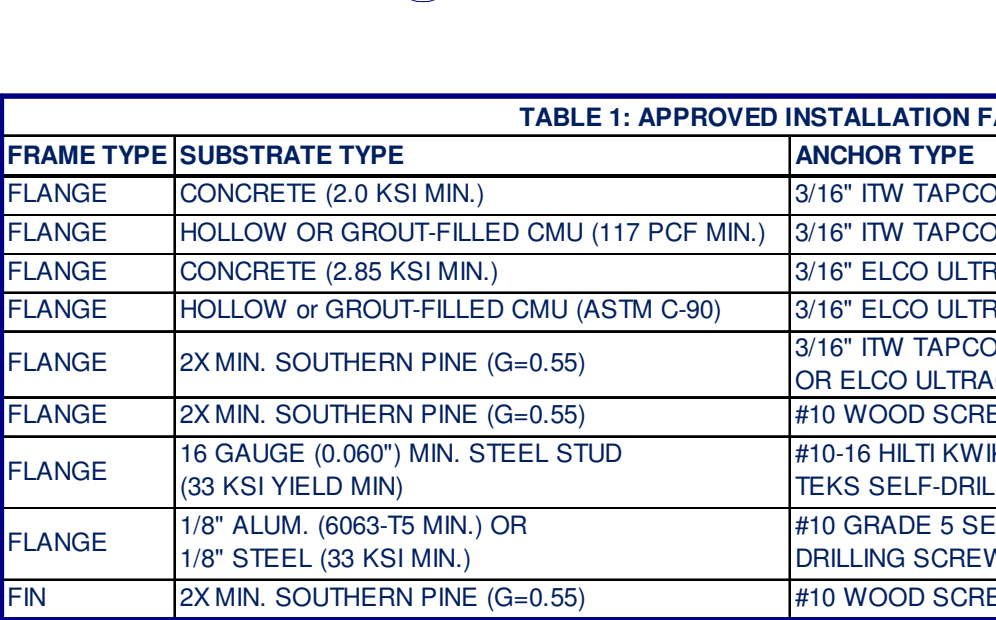
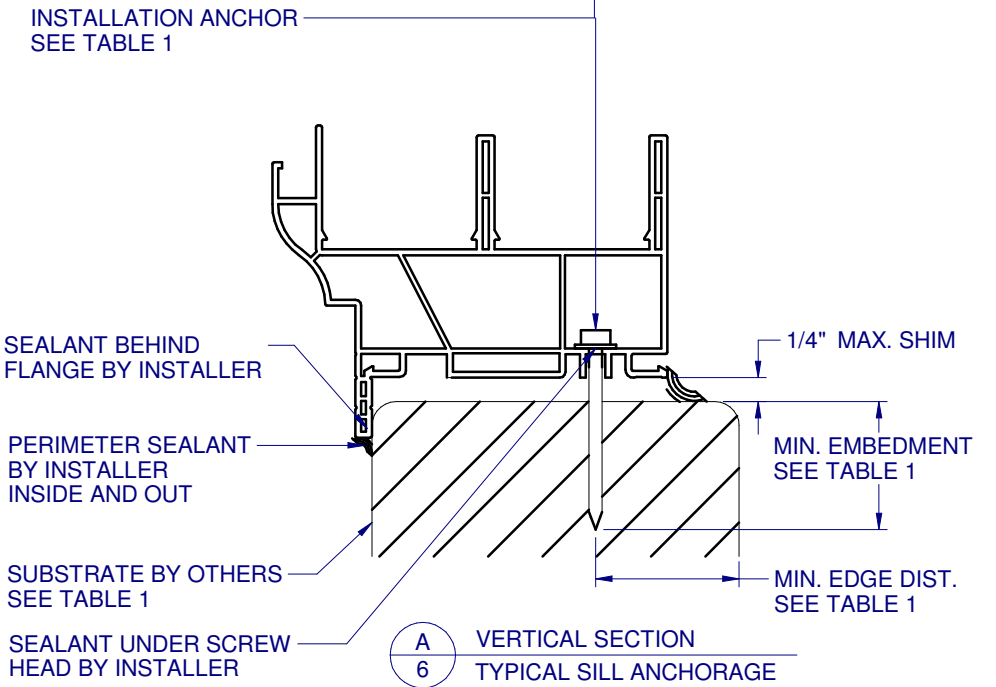
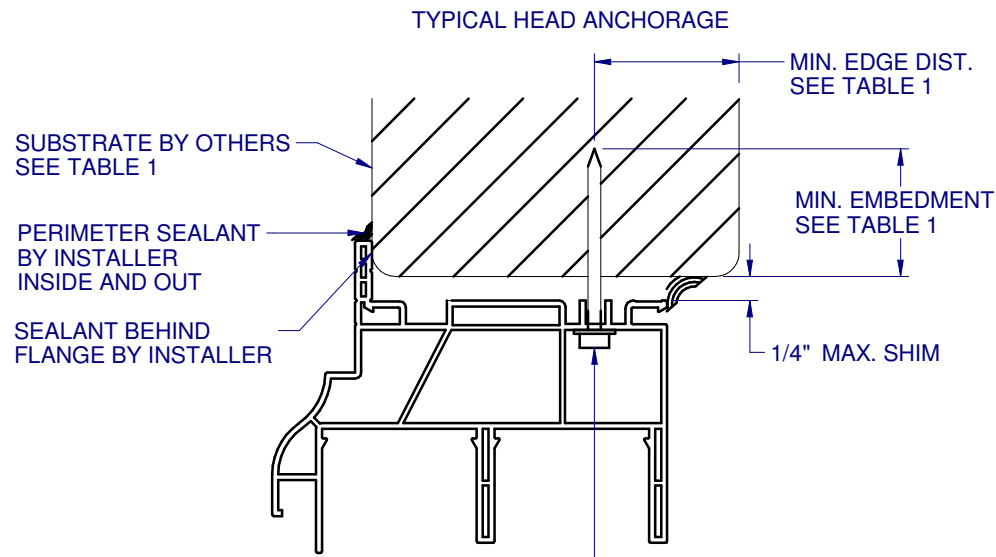
LT
4/27/2015

LUCAS A. TURNER, P.E.
FL PE # 58201
1239 JABARA AVE.
NORTH PORT, FL 34288
PH. 941-380-1574

SHEET DESCRIPTION:
**ANCHOR SCHEDULE AND
NOTES**

DRAWN BY: EMK	DATE: 09/23/14
DWG #: CWS-1031	REV.: A
SCALE: 1:20	SHEET 5 OF 6

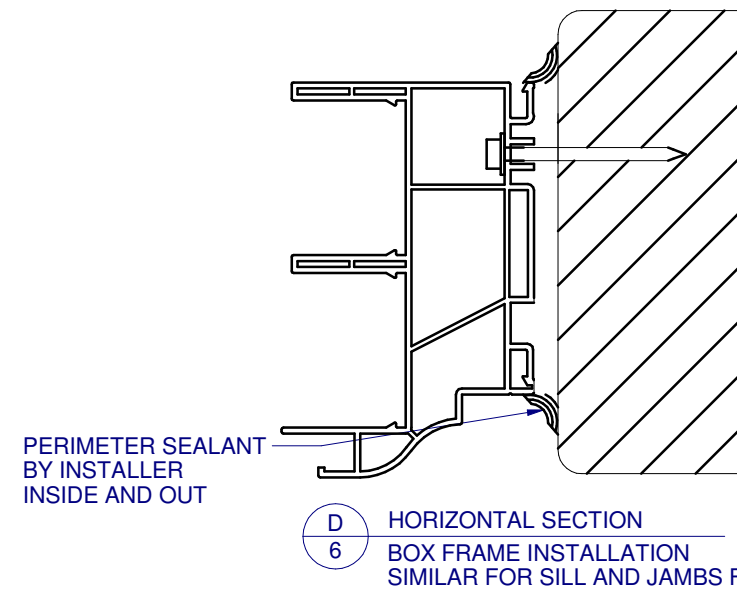
**620 PVC
HORIZ. SLIDER
NON-IMPACT**



B HORIZONTAL SECTION
6 TYPICAL JAMB ANCHORAGE

C HORIZONTAL SECTION
6 TYPICAL FIN ANCHORAGE
HEAD AND SILL SIMILAR FOR FIN INSTALLATION

NOTE: ADDITIONAL THRU-FRAME ANCHORS (AS SHOWN IN DET. A/6) REQ'D AT MTG RAIL, SEE SHEET 5 ANCHOR LAYOUT.



D HORIZONTAL SECTION
6 BOX FRAME INSTALLATION
SIMILAR FOR SILL AND JAMBS FOR BOX INSTALLATION

FLANGE REMOVAL NOTE: PARTIALLY OR FULLY REMOVING THE FLANGE, UP TO AND INCLUDING A BOX-FRAME APPLICATION IS ACCEPTABLE PROVIDED:

- MIN. 1/4" FILLET OF CONSTRUCTION-GRADE ADHESIVE CAULK IS APPLIED INSIDE AND OUT, FULL PERIMETER, BY INSTALLER.
- PRODUCT ANCHORAGE IS IN ACCORDANCE WITH REQUIREMENTS AS SHOWN FOR FLANGE WINDOWS.

TABLE 1: APPROVED INSTALLATION FASTENERS

FRAME TYPE	SUBSTRATE TYPE	ANCHOR TYPE	MIN. EMBEDMENT	MIN. EDGE DIST.
FLANGE	CONCRETE (2.0 KSI MIN.)	3/16" ITW TAPCON	1"	1-1/8"
FLANGE	HOLLOW OR GROUT-FILLED CMU (117 PCF MIN.)	3/16" ITW TAPCON	1"	2"
FLANGE	CONCRETE (2.85 KSI MIN.)	3/16" ELCO ULTRACON	1"	1"
FLANGE	HOLLOW or GROUT-FILLED CMU (ASTM C-90)	3/16" ELCO ULTRACON	1-1/4"	2-1/2"
FLANGE	2X MIN. SOUTHERN PINE (G=0.55)	3/16" ITW TAPCON OR ELCO ULTRACON	1-3/8"	7/8"
FLANGE	2X MIN. SOUTHERN PINE (G=0.55)	#10 WOOD SCREW	1-3/8"	7/8"
FLANGE	16 GAUGE (0.060") MIN. STEEL STUD (33 KSI YIELD MIN)	#10-16 HILTI KWIK-FLEX OR ITW TEKS SELF-DRILLING SCREW	FULL THREAD THRU 0.060"	7/16"
FLANGE	1/8" ALUM. (6063-T5 MIN.) OR 1/8" STEEL (33 KSI MIN.)	#10 GRADE 5 SELF-TAPPING / DRILLING SCREW	FULL THREAD THRU 0.125"	7/16"
FIN	2X MIN. SOUTHERN PINE (G=0.55)	#10 WOOD SCREW	1-1/2"	1/2"

NO.	DESCRIPTION	BY	DATE
A	UPDATED PER 2014 FBC - ADDED CONFIGS	EMK	04/21/15



202
4/27/2015

LUCAS A. TURNER, P.E.
FL PE # 58201
1239 JABARA AVE.
NORTH PORT, FL 34288
PH. 941-380-1574

SHEET DESCRIPTION:

INSTALLATION DETAILS

DRAWN BY: EMK	DATE: 09/23/14
DWG #: CWS-1031	REV.: A
SCALE: 1:2	SHEET 6 OF 6