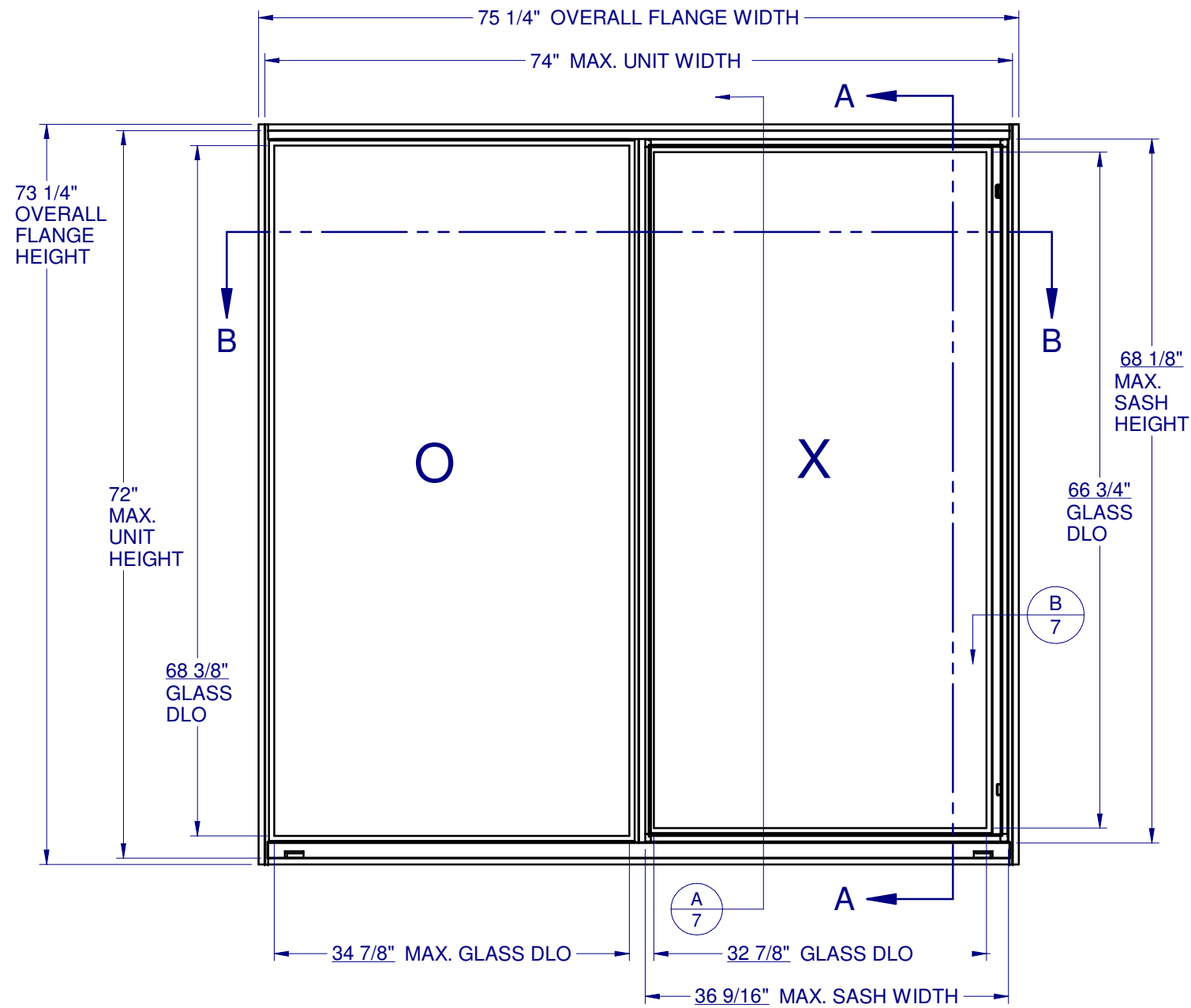


# HORIZONTAL SLIDER - NON-IMPACT



## GENERAL NOTES:

1. THE PRODUCT SHOWN HEREIN IS DESIGNED AND MANUFACTURED TO COMPLY WITH THE FLORIDA BUILDING CODE, (FBC) CURRENT EDITION.
2. GLAZING OPTIONS: (SEE SHEET 2)
3. CONFIGURATIONS: "OX", "XO"
4. DESIGN PRESSURE RATINGS (SHEET 3)
  - NEGATIVE DESIGN LOADS BASED ON, TESTED PRESSURE AND GLASS TABLES ASTM E-1300-04.
  - POSITIVE DESIGN LOADS BASED ON, TESTED PRESSURE, WATER INFILTRATION TEST PRESSURES AND GLASS TABLES ASTM E-1300-04.
5. ANCHORAGE: THE 33 1/3% STRESS INCREASE HAS NOT BEEN USED IN THE DESIGN OF THIS PRODUCT. SEE SHEET 7 FOR INSTALLATION DETAIL. WIND LOAD DURATION FACTOR Cd=1.6 WAS USED FOR WOOD ANCHOR CALCULATIONS.
6. NOT APPROVED FOR IMPACT RESISTANCE. IMPACT PROTECTIVE SYSTEM IS REQUIRED IN WIND BORNE DEBRIS REGION.
7. ALL FRAMES AND VENTS ARE SCREWED TOGETHER, SMALL JOINT SEAM SEALANT USED AT ALL FRAME JOINTS.
8. SERIES / MODEL DESIGNATION HS-7000.
9. THE DESIGNATION X AND O STAND FOR THE FOLLOWING:  
X = OPERABLE SASH, O = FIXED SASH
10. SECTION CALLOUTS APPLY TO ALL ELEVATIONS IN A SIMILAR LOCATION.
11. WEEP SLOTS = 1/4" X 1" LOCATED 3 1/2" FROM BOTH ENDS.



1900 SW 44TH AVE.  
OCALA, FLORIDA 34474  
WWW.CWS.CC

## 7000 ALUM. HORZ. SLIDER NON-IMPACT

NO.	DESCRIPTION:	BY:	DATE:
B	UPDATED PER 2014 FBC	EMK	03/09/15
A	UPDATED PER 2010 FBC	ADE	11/10/11



LUCAS A. TURNER, P.E.  
FL PE # 58201  
1239 JABARA AVE.  
NORTH PORT, FL 34288  
PH. 941-380-1574

SHEET DESCRIPTION:  
GENERAL NOTES AND ELEVATIONS

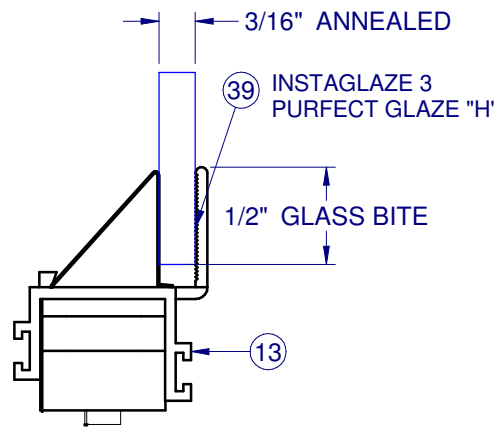
DRAWN BY: ADE	DATE: 10/17/11
DWG #: CWS-487	REV.: B
SCALE: 1:15	SHEET 1 OF 7

### TABLE OF CONTENTS

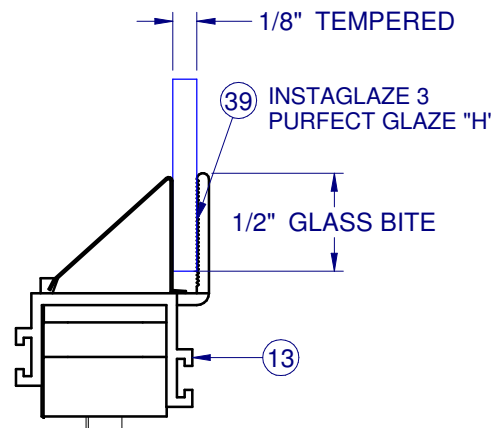
GENERAL NOTES & ELEVATIONS.....	1
GLAZING DETAILS.....	2
COMPARATIVE ANALYSIS.....	3
SECTION VIEWS & ALT. FRAME "O/X" / "X/O".....	4
EXTRUSIONS & BILL OF MATERIALS.....	5
ANCHOR SCHEDULE & NOTES.....	6
INSTALLATION DETAIL.....	7

MEETING RAIL	DESIGN PRESSURE RATING	IMPACT RATING
STD	+/-25 PSF	NONE
HD	+/-30 PSF	NONE

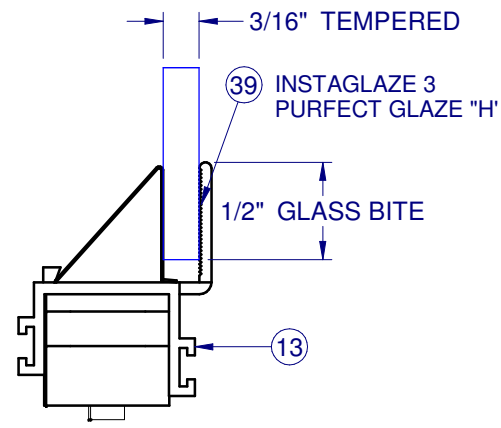
**7000 ALUM.  
HORZ. SLIDER  
NON-IMPACT**



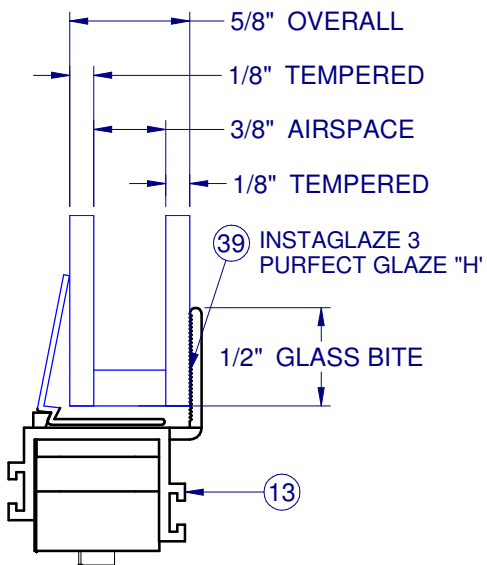
GLASS TYPE A



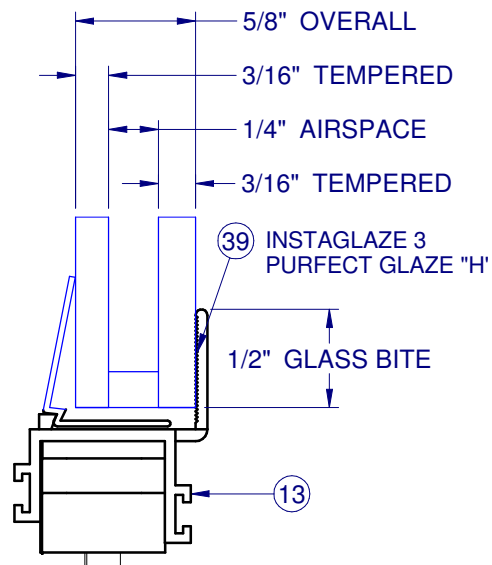
GLASS TYPE B



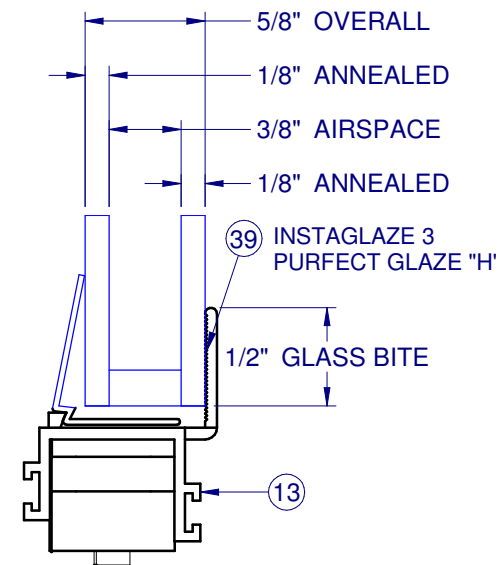
GLASS TYPE C



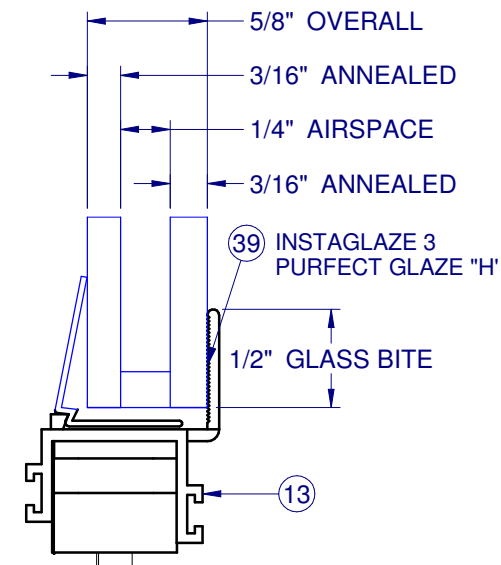
GLASS TYPE D



GLASS TYPE E



GLASS TYPE F



GLASS TYPE G

NO.	DESCRIPTION:	BY:	DATE:
B	UPDATED PER 2014 FBC	EMK	03/09/15
A	UPDATED PER 2010 FBC	ADE	11/10/11



4/3/2015

LUCAS A. TURNER, P.E.  
FL PE # 58201  
1239 JABARA AVE.  
NORTH PORT, FL 34288  
PH. 941-380-1574

SHEET DESCRIPTION:  
**GLAZING DETAILS**

DRAWN BY: <b>ADE</b>	DATE: <b>10/17/11</b>
DWG #: <b>CWS-487</b>	REV.: <b>B</b>
SCALE: <b>1:1</b>	SHEET <b>2 OF 7</b>



**7000 ALUM.  
HORZ. SLIDER  
NON-IMPACT**

NO.:	DESCRIPTION:	BY:	DATE:
B	UPDATED PER 2014 FBC	EMK	03/09/15
A	UPDATED PER 2010 FBC	ADE	11/10/11

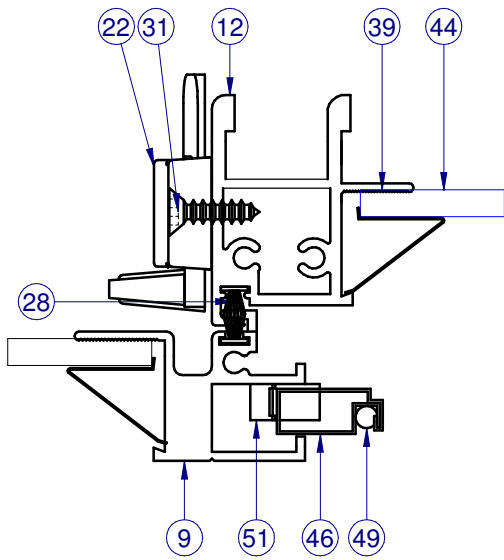
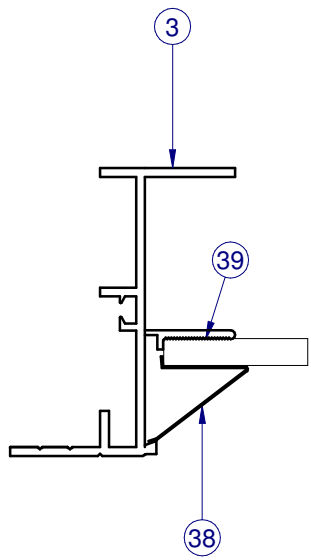


LUCAS A. TURNER, P.E.  
FL PE # 58201  
1239 JABARA AVE.  
NORTH PORT, FL 34288  
PH. 941-380-1574

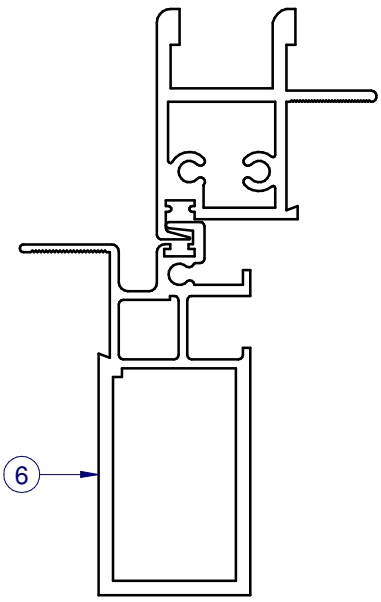
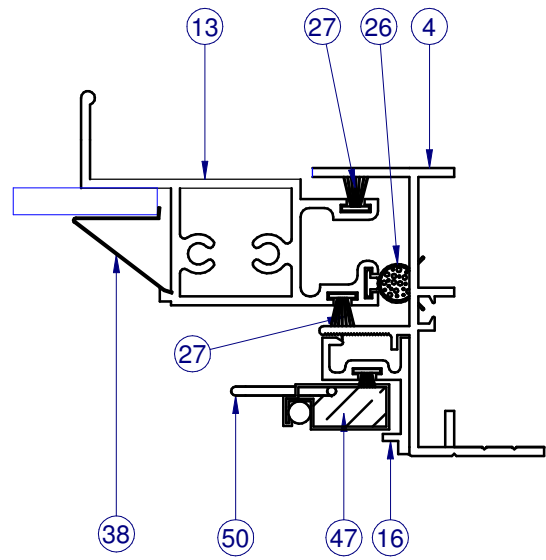
SHEET DESCRIPTION:  
**SECTION VIEWS**

DRAWN BY: <b>ADE</b>	DATE: <b>10/17/11</b>
DWG #: <b>CWS-487</b>	REV.: <b>B</b>
SCALE: <b>1:1.33</b>	SHEET <b>4 OF 7</b>

INTERIOR

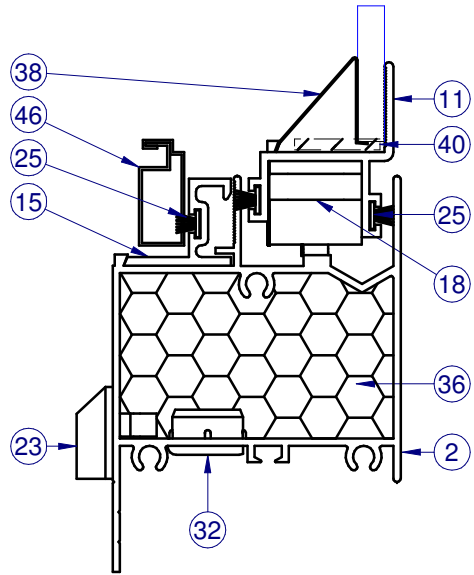
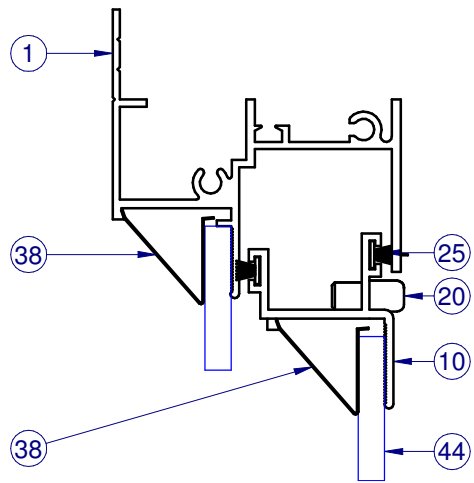


SECTION B-B



ALTERNATE HD FIXED RAIL

INTERIOR



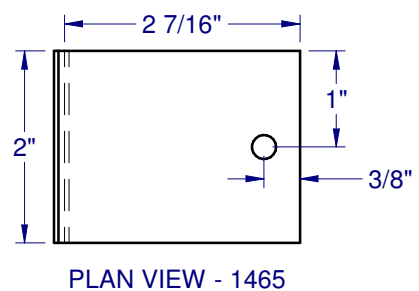
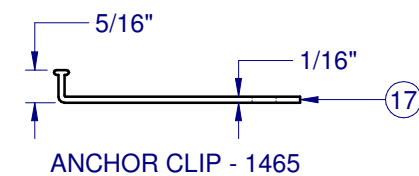
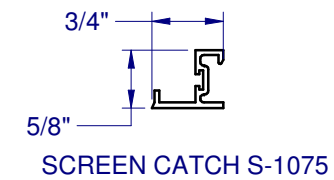
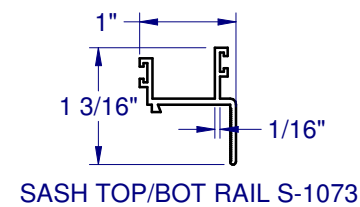
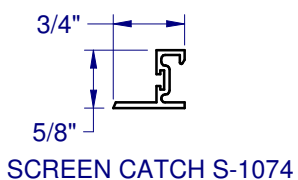
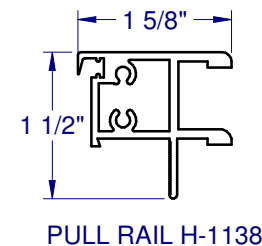
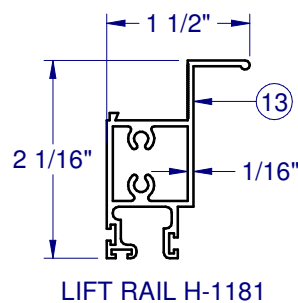
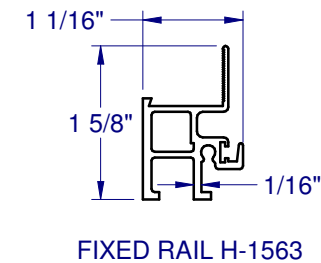
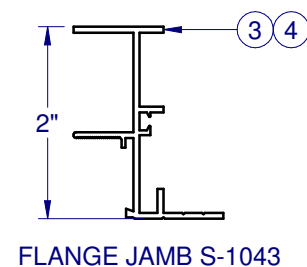
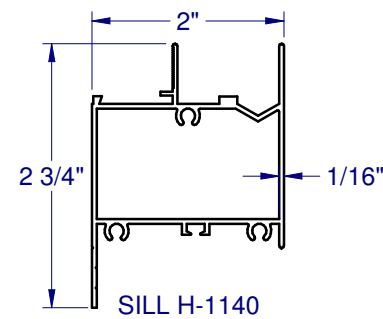
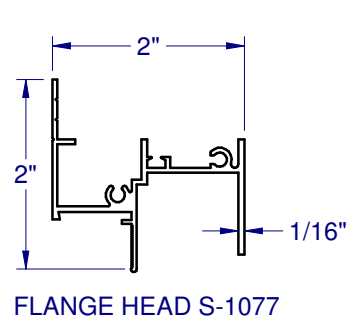
SECTION A-A

ITEMS USED BUT NOT SHOWN FOR CLARITY:  
14,17,19,21,29,30,33-35,37,41-43,48

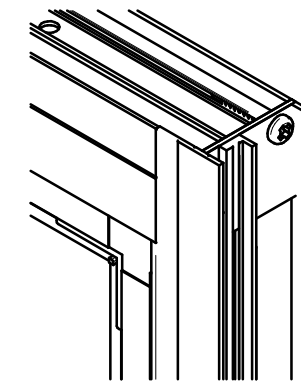
PARTS LIST				
ITEM	PART #	DESCRIPTION	VENDOR	MATERIAL
1	S-1077	Fr. Head, Flg.	Keymark	Alum
2	H-1140	Fr. Sill, HS-7000	Keymark	Alum
3	S-1043	Fr. Jamb, HS-7000, L. Jb.	Keymark	Alum
4	S-1043	Fr. Jamb, HS-7000, R. Jb.	Keymark	Alum
6	H-1569	HD Fixed Mtg Rail	Keymark	Alum
9	S-1563	Fxd. Mtg. Rail	Keymark	Alum
10	S-1073	Sash Top Rail	Keymark	Alum
11	S-1073	Sash Btm Rail	Keymark	Alum
12	H-1138	Sash Meet. Rail	Keymark	Alum
13	H-1181	Sash Bot./Pull Rail	Keymark	Alum
15	S-1074	Scrn. Adapt., w/o leg, Horiz.	Keymark	Alum
16	S-1075	Scrn. Adapt., w/ leg, Vert.	Keymark	Alum
17	S-1465	Install Clip	Keymark	Alum
18	P-3804	Roller Assm., Tandem	M&M	Nylon
19	P-3042	Sash End Cap	M&M	Nylon
20	P-3044	Anti-Lift Stop	M&M	Nylon
21	P-3043	Sash Stop	TeamPlastics	Rubber
22	P-3038	Sweep Lock,	Lawrence	Plastic
23	P-3100	Weep Cover, open	M&M	Nylon
25	P-3309	Wstp., 0.210 x .187 back FinSeal, Black, SoftTouch	Ultrafab	
26	P-3011	Wstp., 0.350 x .187 back, foam filled bulb w/wands	Ultrafab	
27	P-3305	Wstp., 0.270 x .187 back FinSeal, Black, SoftTouch	Ultrafab	
28	P-3303	Wstp., 0.190 x .187 back FinSeal, Gray, SoftTouch	Ultrafab	
29	P-3612	#8 x 1.000 w/ 1/4" lead Quad PH Type A SMS	Fastenal	Steel
30	P-3635	#8 x 0.750 Quad PH Type A SMS	Fastenal	Steel
31	P-3515	#8 x 0.625 Ph FH Type A SMS	Fastenal	Steel
32	P-3034	Plug, HS-7000, at FMR	M&M	Nylon
33	P-3342	Seam Sealer, SM-5504	Schnee	Silicone
34	P-3257	Gasket, Hd. & Sill at Jb., SH-3500	HOP	Closed Cell
35	P-3048	Gasket, Sill, HS-7000	HOP	Closed Cell
36	P-3397	Open Cell Foam Pad	HOP	Open Cell
37	P-3003	Shipping Clip	M&M	Nylon
38	P-3022	Glaz. Bd.	TeamPlastics	PVC
39	P-3433	InstaGlaze 3, Purfect Glaze "H"	Dow, Henkel	
40	P-3352	Set. Blk., 85 Dur., 1/8" x 5/8" x 2" Lg.	FrankLowe	Rubber
41	P-3643	HS-7000 Gold Cert. Label, NFRC Tab		
42	P-3881	Temporary Lbl. (NFRC/DP)		
43	P-3613	CWS Lbl. (logo)		
44	GLASS	SEE SHEET 2		
46	P-3218	Screen Frame	Allmetal	RollForm
47	P-3321	Screen Frame Corner Key	Allmetal	RollForm
48	P-3581	Screen Cloth, 18 x 16 Fiberglass	Phifer	
49	P-3228	Screen Spline, .155 Dia., Blk.	Dapa	
50	P-3029	Screen Pull Tab	Hurley	
51	P-3033	Screen Spring, SS	FlaSpring	

LINE ITEMS NOT USED:  
5, 7, 8, 14, 24, 45

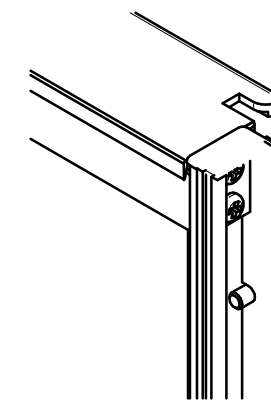
NOTE: ALL ALUMINUM EXTRUSION ARE 6063-T6 UNLESS OTHERWISE NOTED.



FRAME CORNER CONSTRUCTION



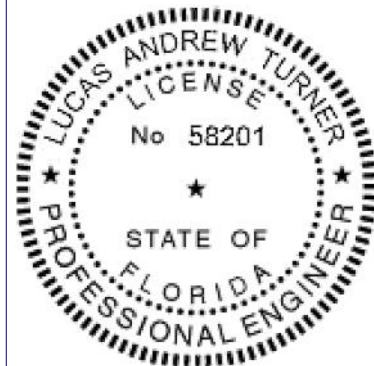
SASH CORNER CONSTRUCTION



1900 SW 44TH AVE.  
OCALA, FLORIDA 34474  
WWW.CWS.CC

**7000 ALUM.  
HORZ. SLIDER  
NON-IMPACT**

NO.	DESCRIPTION:	BY:	DATE:
B	UPDATED PER 2014 FBC	EMK	03/09/15
A	UPDATED PER 2010 FBC	ADE	11/10/11



LUCAS A. TURNER, P.E.  
FL PE # 58201  
1239 JABARA AVE.  
NORTH PORT, FL 34288  
PH. 941-380-1574

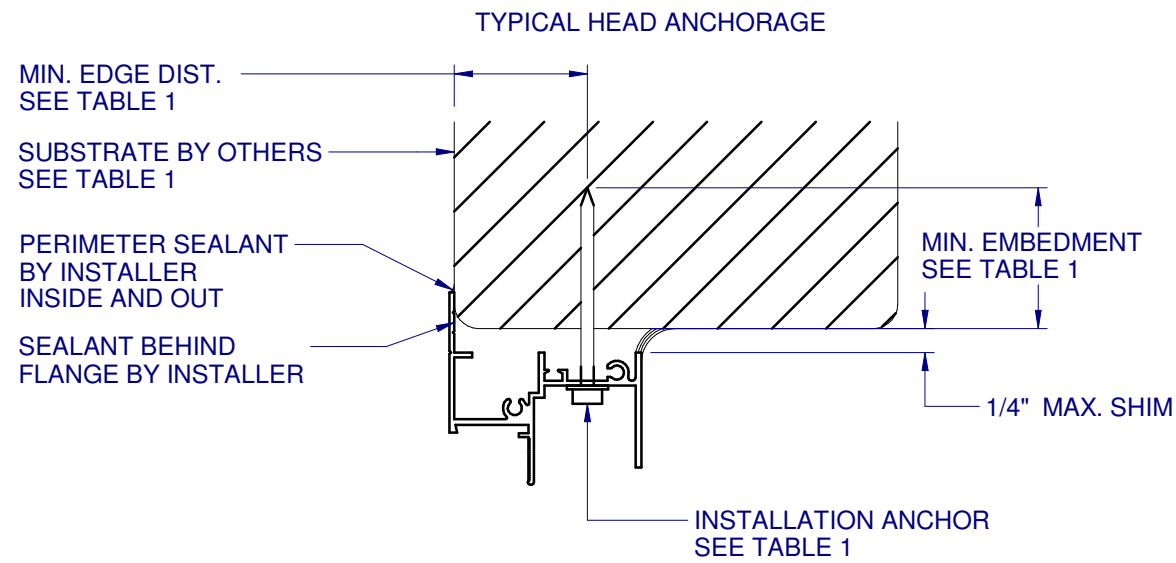
SHEET DESCRIPTION:

**BOM AND EXTRUSIONS**

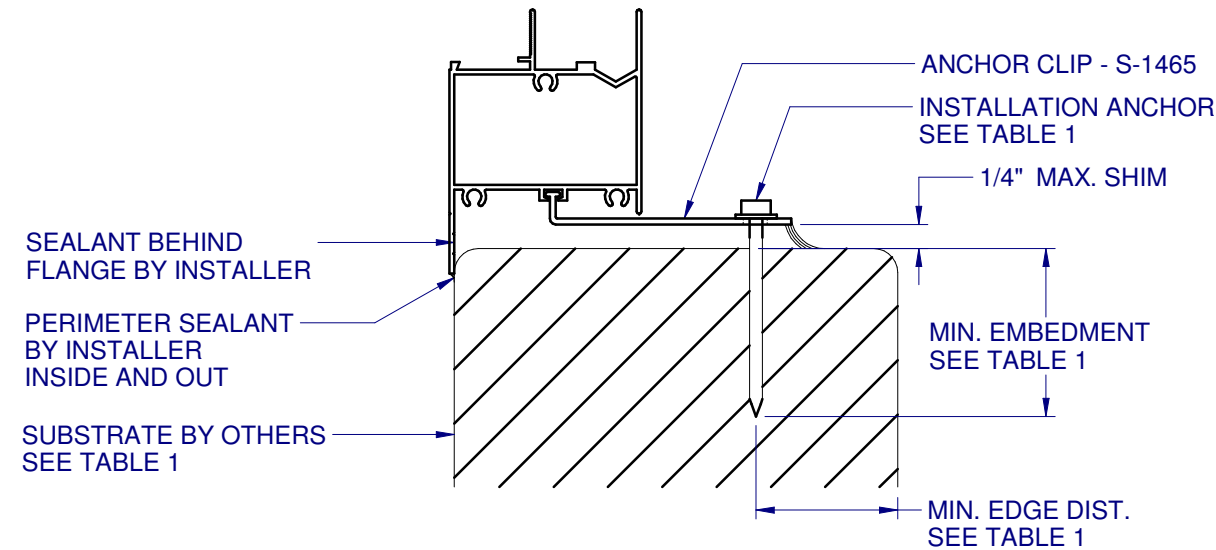
DRAWN BY: <b>ADE</b>	DATE: 10/17/11
DWG #: <b>CWS-487</b>	REV.: <b>B</b>
SCALE: 1:2	SHEET 5 OF 7



**7000 ALUM.  
HORZ. SLIDER  
NON-IMPACT**



**A**  
**7** VERTICAL SECTION  
TYPICAL SILL (CLIP) ANCHORAGE



**B**  
**7** HORIZONTAL SECTION  
TYPICAL JAMB ANCHORAGE

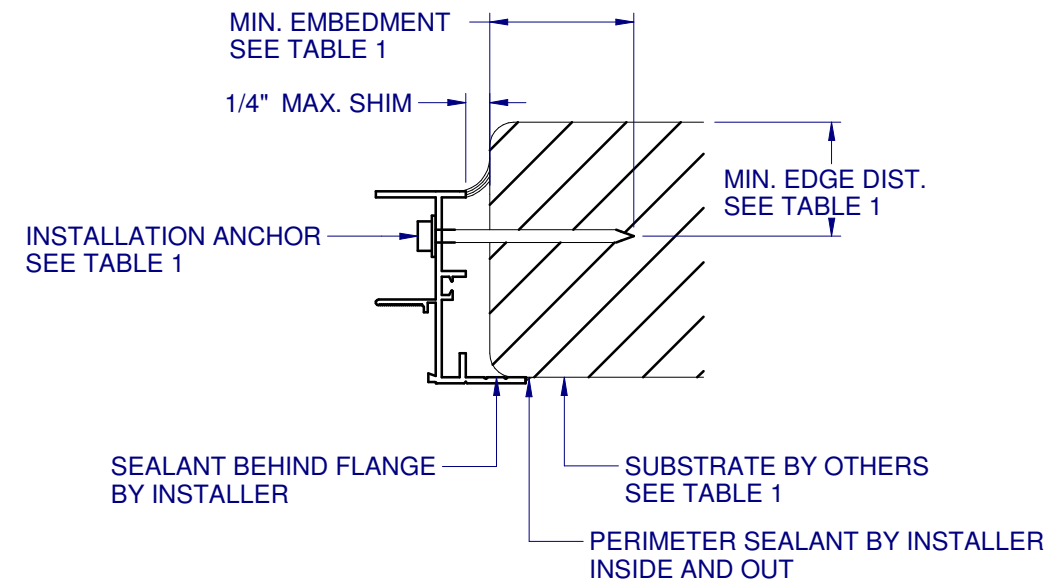


TABLE 1: APPROVED INSTALLATION FASTENERS			
SUBSTRATE TYPE	ANCHOR TYPE	MIN. EMBEDMENT	MIN. EDGE DIST.
CONCRETE (2.0 KSI MIN.)	3/16" ITW TAPCON	1"	1-1/8"
HOLLOW OR GROUT-FILLED CMU (117 PCF MIN.)	3/16" ITW TAPCON	1"	2"
CONCRETE (2.85 KSI MIN.)	3/16" ELCO ULTRACON	1"	1"
HOLLOW OR GROUT-FILLED CMU (ASTM C-90)	3/16" ELCO ULTRACON	1-1/4"	2-1/2"
2x MIN. SPRUCE-PINE-FIR WOOD (G=0.42 MIN.)	3/16" ITW TAPCON OR ELCO ULTRACON	1-3/8"	7/8"
2x MIN. SPRUCE-PINE-FIR WOOD (G=0.42 MIN.)	#10 WOOD SCREW	1-3/8"	7/8"
16 GAUGE (0.060") MIN. STEEL STUD (33 KSI YIELD MIN.)	#10-16 HILTI KWIK-FLEX OR ITW TEKS SELF-DRILLING	FULL THREAD THRU 0.060"	1/2"
1/8" ALUM. (6063-T5 MIN.) OR 1/8" STEEL (33 KSI MIN.)	#10 GRADE 5 SELF-TAPPING / DRILLING SCREW	FULL THREAD THRU 0.125"	1/2"

NO.	DESCRIPTION	BY	DATE
B	UPDATED PER 2014 FBC	EMK	03/09/15
A	UPDATED PER 2010 FBC	ADE	11/10/11

LUCAS A. TURNER, P.E.  
FL PE # 58201  
1239 JABARA AVE.  
NORTH PORT, FL 34288  
PH. 941-380-1574

SHEET DESCRIPTION:  
**INSTALLATION DETAILS -  
CLIP SHOWN**

DRAWN BY: <b>ADE</b>	DATE: 10/17/11
DWG #: <b>CWS-487</b>	REV.: <b>B</b>
SCALE: 1:2	SHEET 7 OF 7

REVISIONS