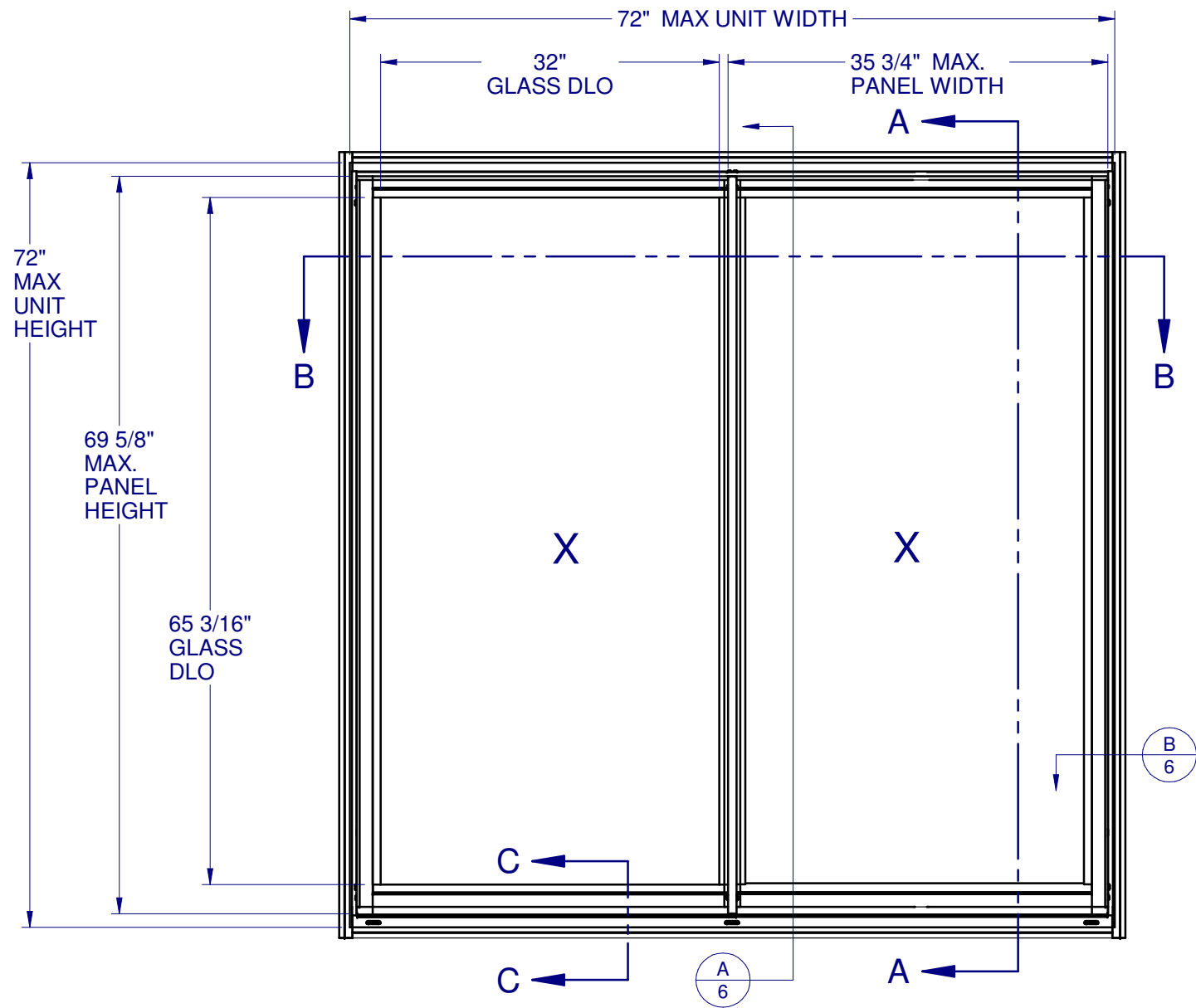


HORIZONTAL SLIDER - NON-IMPACT



GENERAL NOTES:

1. THE PRODUCT SHOWN HEREIN IS DESIGNED AND MANUFACTURED TO COMPLY WITH THE FLORIDA BUILDING CODE (FBC), CURRENT EDITION.
2. GLAZING OPTIONS: (SEE SHEET 2)
3. CONFIGURATIONS: "XX".
4. DESIGN PRESSURE RATING:
-NEGATIVE DESIGN LOADS BASED ON TESTED PRESSURE AND GLASS TABLES ASTM E-1300-04.
-POSITIVE DESIGN LOADS BASED ON TESTED PRESSURE, WATER INFILTRATION TEST PRESSURE AND GLASS TABLES ASTM E-1300-04.
5. ANCHORAGE: THE 33 1/3% STRESS INCREASE HAS NOT BEEN USED IN THE DESIGN OF THIS PRODUCT. SEE SHEET 6 FOR INSTALLATION DETAILS.
6. NOT APPROVED FOR IMPACT RESISTANCE. IMPACT PROTECTIVE SYSTEM IS REQUIRED IN WIND BORNE DEBRIS REGION.
7. ALL FRAMES AND VENTS SCREWED TOGETHER. SMALL JOINT SEAM SEALANT USE AT ALL FRAME JOINTS AND JAMBS.
8. SERIES / MODEL DESIGNATION HS-5600.
9. THE DESIGNATION X AND O STAND FOR THE FOLLOWING:
X = OPERABLE SASH.
10. SECTION CALLOUTS FROM ELEVATIONS APPLY TO ALL ELEVATIONS IN A SIMILAR LOCATION.
11. WEEP SLOTS = 1/4" X 1" LOCATED 3" FROM BOTH ENDS AND ONE IN THE CENTER.



1900 SW 44TH AVE.
OCALA, FLORIDA 34474
WWW.CWS.CC

5600 ALUM. HORZ. SLIDER XX NON-IMPACT

NO.	DESCRIPTION:	BY:	DATE:
		EMK	03/02/15
		ADE	06/09/14
		TEF	06/12/12
		TEF	10/14/11
		ADE	07/08/08



LUCAS A. TURNER, P.E.
FL PE # 58201
1239 JABARA AVE.
NORTH PORT, FL 34288
PH. 941-380-1574

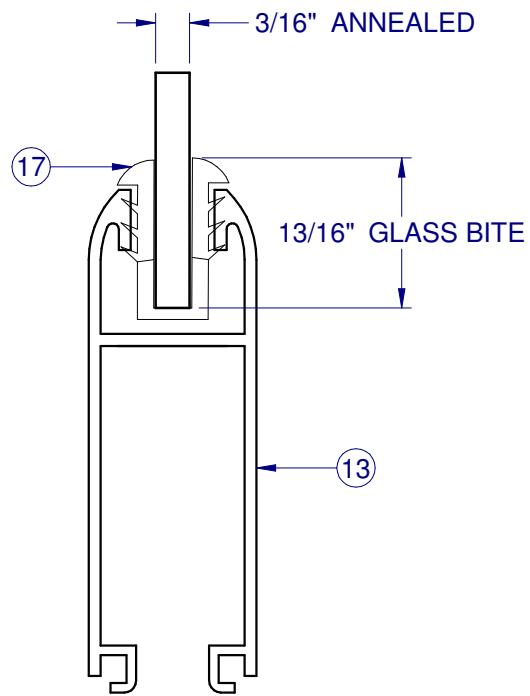
SHEET DESCRIPTION:
GENERAL NOTES AND ELEVATIONS

DRAWN BY: ADE	DATE: 05/07/08
DWG #: CWS-171	REV.: E
SCALE: 1:15	SHEET 1 OF 6

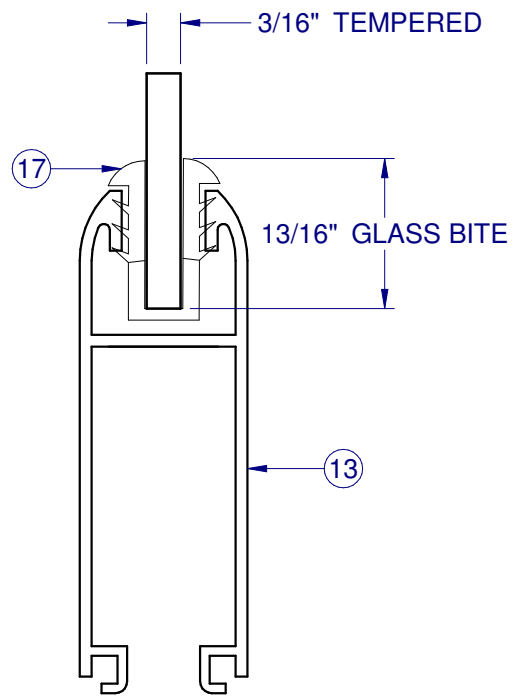
TABLE OF CONTENTS
GENERAL NOTES & ELEVATIONS.....1
GLAZING DETAILS.....2
SECTION VIEWS.....3
EXTRUSIONS & B.O.M.....4
ANCHOR SCHEDULE & NOTES.....5
INSTALLATION DETAILS.....6

CONFIG.	MAX. UNIT SIZE	DESIGN PRESSURE RATING	IMPACT RATING
XX	72" x 72"	+/-35 PSF	NONE

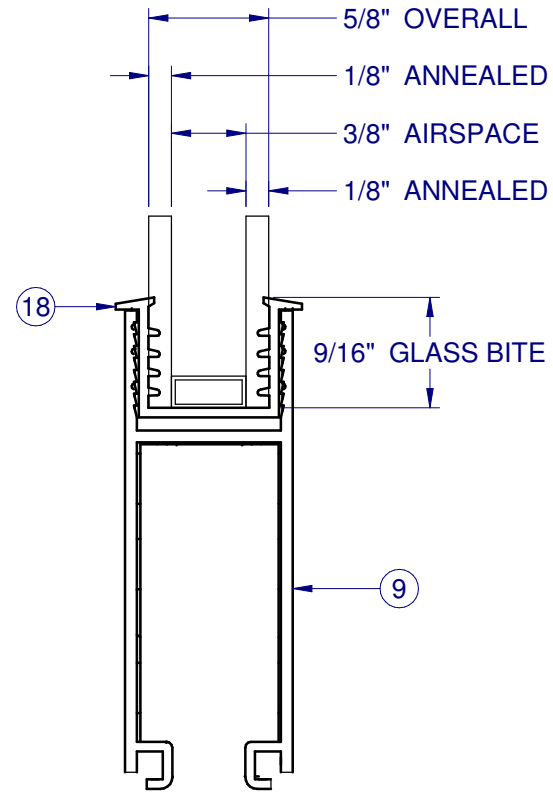
**5600 ALUM.
HORZ. SLIDER XX
NON-IMPACT**



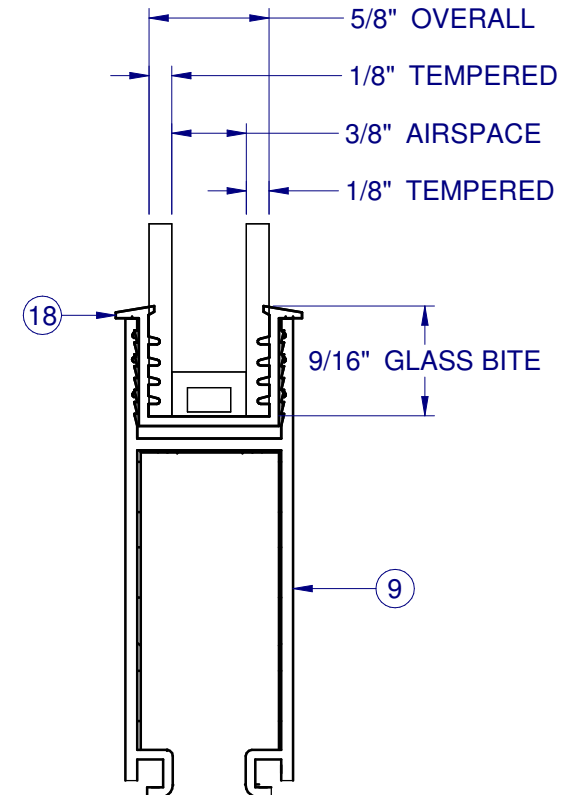
GLASS TYPE A



GLASS TYPE B



GLASS TYPE C



GLASS TYPE D

NO.	DESCRIPTION:	BY:	DATE:
E	UPDATED PER 2014 FBC	EMK	03/02/15
D	RENAMED, NEW SERIES	ADE	06/09/14
C	UPDATE TO NEW CODE	TEF	06/12/12
B	UPDATE TO NEW CODE	TEF	10/14/11
A	UPDATED PER 2010 FBC	ADE	07/08/08

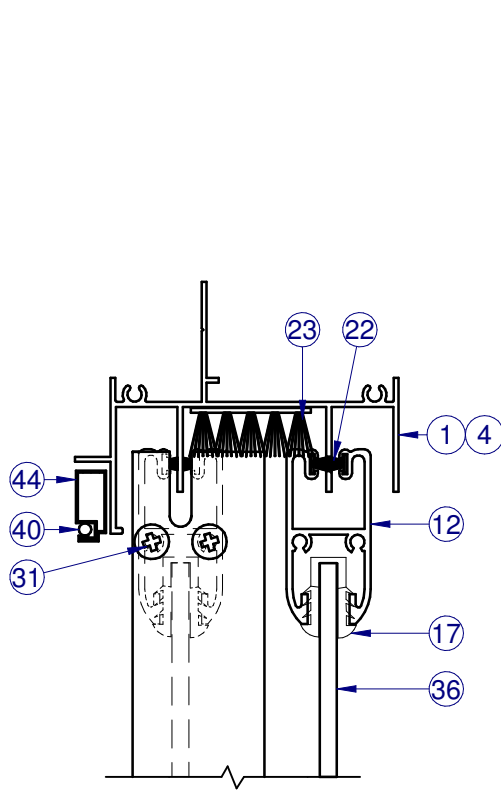

LT
 4/3/2015

LUCAS A. TURNER, P.E.
FL PE # 58201
1239 JABARA AVE.
NORTH PORT, FL 34288
PH. 941-380-1574

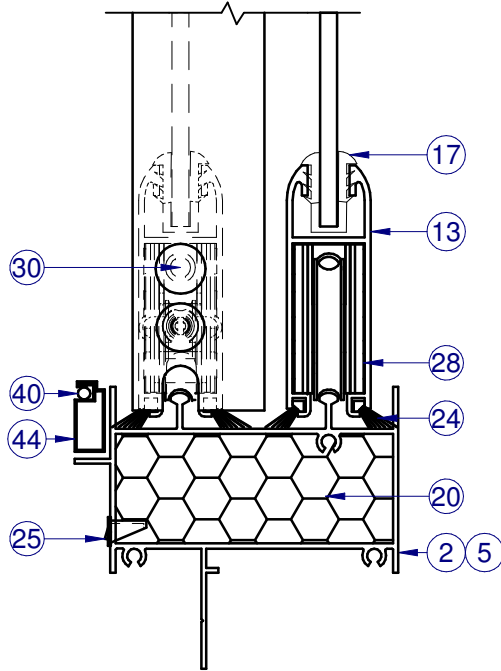
SHEET DESCRIPTION:
GLAZING DETAILS

DRAWN BY: ADE	DATE: 05/07/08
DWG #: CWS-171	REV.: E
SCALE: 1:1	SHEET 2 OF 6

**5600 ALUM.
HORZ. SLIDER XX
NON-IMPACT**

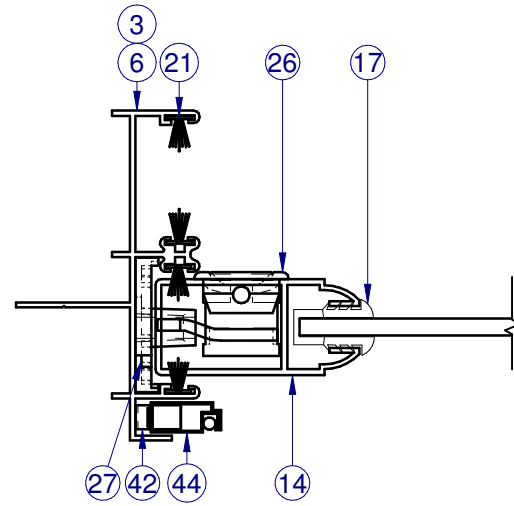


INTERIOR

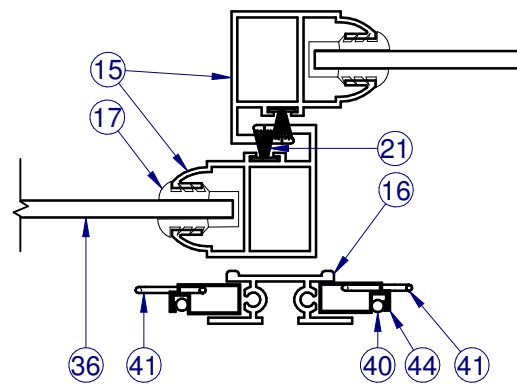


SECTION A-A

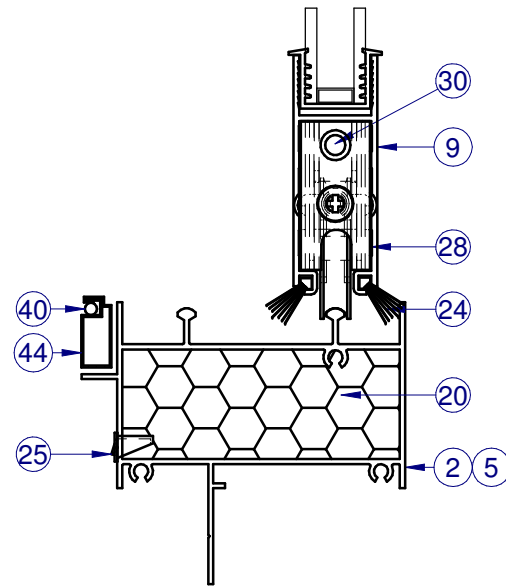
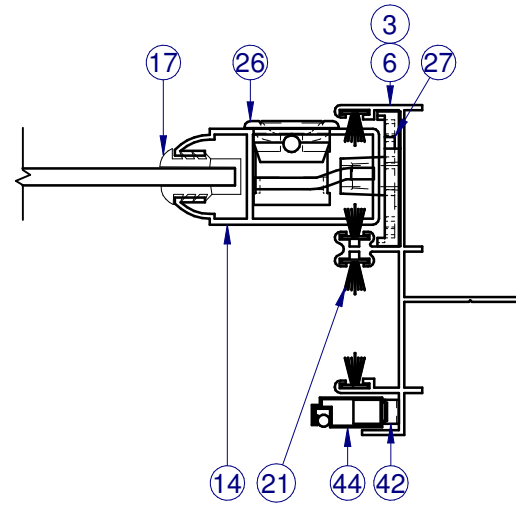
ITEMS USED BUT NOT SHOWN FOR CLARITY:
19, 29, 32-35, 39, 43, 45



INTERIOR



SECTION B-B



SECTION C-C
ALTERNATE VIEW WITH
I/G SASH

NOTE:
MAIN FRAME IS SAME FOR BOTH S/G AND I/G UNITS

NO.	DESCRIPTION:	BY:	DATE:
E	UPDATED PER 2014 FBC	EMK	03/02/15
D	RENAMED, NEW SERIES	ADE	06/09/14
C	UPDATE TO NEW CODE	TEF	06/12/12
B	UPDATE TO NEW CODE	TEF	10/14/11
A	UPDATED PER 2010 FBC	ADE	07/08/08

REVISIONS



ZZ
4/3/2015

LUCAS A. TURNER, P.E.
FL PE # 58201
1239 JABARA AVE.
NORTH PORT, FL 34288
PH. 941-380-1574

SHEET DESCRIPTION:

SECTION VIEWS

DRAWN BY: ADE	DATE: 05/07/08
DWG #: CWS-171	REV.: E
SCALE: 1:2	SHEET 3 OF 6

PARTS LIST				
ITEM	PART #	DESCRIPTION	Vendor	Material
1	S-1362	Fr., HS, OSM, Head	Keymark	Alum
2	H-1495	Fr., HS, OSM, Sill	Keymark	Alum
3	S-1466	Fr., HS, OSM w/ Spline Groove, Jamb	Keymark	Alum
4	S-1384	Fr., HS, OSM w/ Spline Groove, Head	Keymark	Alum
5	H-1496	Fr., HS, OSM w/ Spline Groove, Sill	Keymark	Alum
6	S-1467	Fr., HS, OSM, Jamb	Keymark	Alum
8	S-1307	Panel, Top Rail, HS, (I.G.)	Keymark	Alum
9	S-1021	Panel, Bottom Rail, HS, (I.G.)	Keymark	Alum
10	H-1017	Panel, Lockstile, HS, (I.G.)	Keymark	Alum
11	H-1317	Panel, Interlock, HS, (I.G.)	Keymark	Alum
12	S-1340	Panel, Top Rail, HS, (S.G.)	Keymark	Alum
13	S-1345	Panel, Bottom Rail, HS, (S.G.)	Keymark	Alum
14	H-1365	Panel, Lockstile, HS, (S.G.)	Keymark	Alum
15	H-1366	Panel, Interlock, HS, (S.G.)	Keymark	Alum
16	S-1359	Screen Retainer	Keymark	Alum
17	P-3394	Glz. Bd., "Marine Glazing", 3/16" Glass		
18	P-3206	Glz. Bd., "Marine Glazing", 5/8" Glass		
19	P-3256	6200 Jamb /Sill Gasket	HOP	
20	P-3398	Open Cell Pad	HOP	
21	P-3308	Wstp., .310 x .270 Back, Fin, Black Soft Touch Center Fin	Ultrafab	
22	P-3309	Wstp., .310 x .187 Back, Fin, Black Soft Touch Center Fin	Ultrafab	
23	P-3311-R	Wstp., .320 x 1.25" Back, No Fin, Grey (Dust Plug, 2" Strips	Ultrafab	
24	P-3402	Wstp., .530 x .115 Back, Fin, Black Soft Touch Center Fin, (Ultrafab	
25	P-3215	45 Degree Weep Cover	M&M	Nylon
26	P-3265	Handle, Lock (5200/6200)	Sullivan	Zinc
27	P-3270	Keeper, (5200/6200)	Mini Die Cas	Zinc
28	P-3602	Window Roller (5200/6200)	A1 Comp.	Nylon
29	P-3609	Window Bumper		
30	P-3504	1/4-20 x 1/2" Phillips Truss MS SS, Screw	Fastenal	Steel
31	P-3505	#10 x 1" Phillips Truss Tapping Type A, 18-8 SS, Screw	Fastenal	Steel
32	P-3612	#8 x 1" w/ 1/4" Lead Pan Head Quadrex Self-Tapping Type A	Fastenal	Steel
33	P-3537	#8 x 1 1/2" Panhead, SS	Fastenal	Steel
34	P-3881	Temporary Lbl. (NFRC/DP)		
35	P-3613	CWS Lbl (logo)		
36		Glass, See Sheet 3		
39	P-3226	Flat Spline (for Frame w/ Spline Groove)	TeamPlastic	Rubber
40	P-3228	.155 Round Screen Spline (for rolled screen)	Dapa	Foam
41	P-3029	Screen Lift (Retractable Lift Tab)	Summit	
42	P-3033	Screen Spring (Flat Tension)	FlaSpring	
43	P-3321	Screen corner Key	Allmetal	
44	P-3333	Screen Frame	Allmetal	



1900 SW 44TH AVE.
OCALA, FLORIDA 34474
WWW.CWS.CC

**5600 ALUM.
HORZ. SLIDER XX
NON-IMPACT**

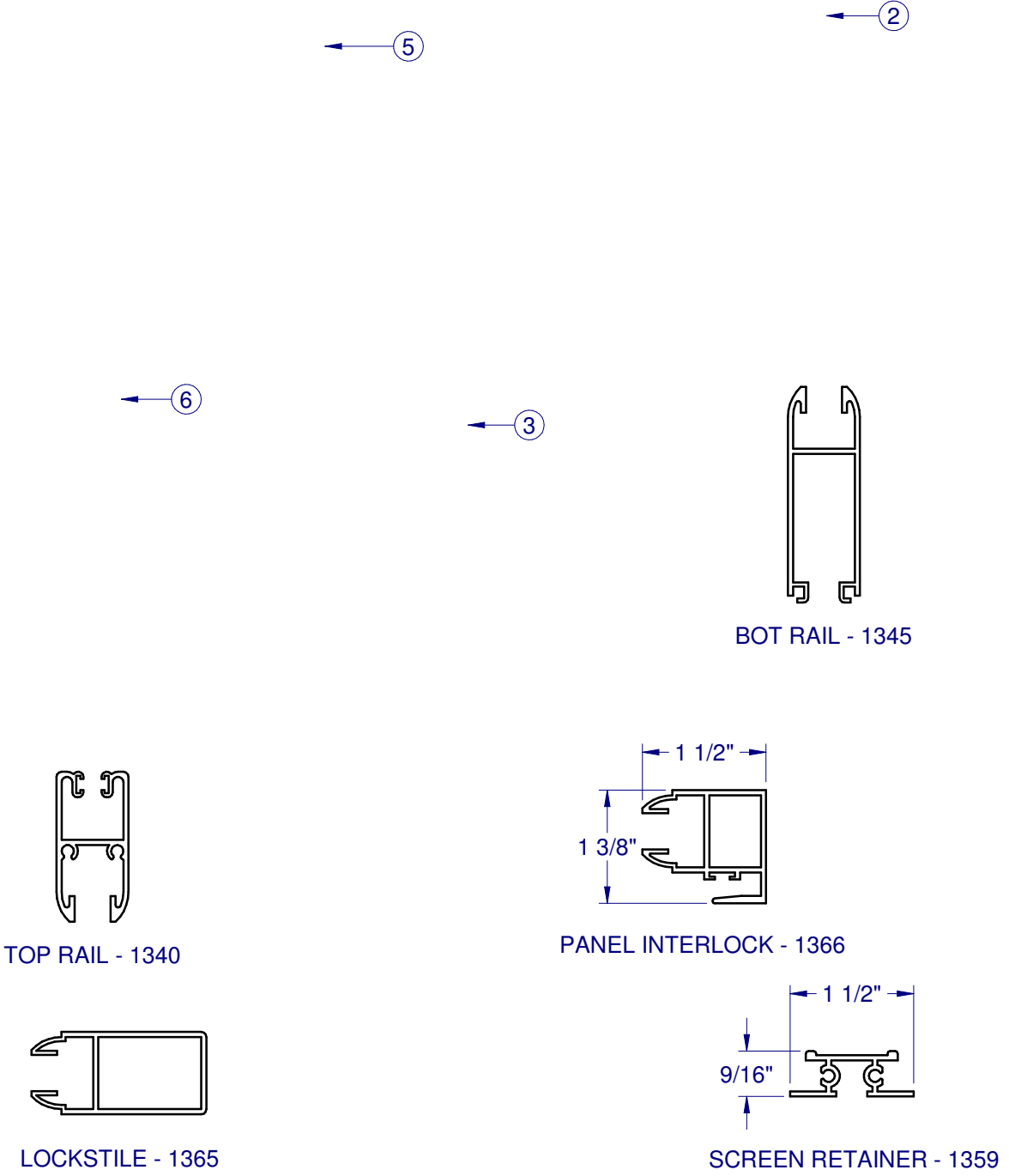
			03/02/15	06/09/14	06/12/12	10/14/11	07/08/08	DATE:
			EMK	ADE	TEF	TEF	ADE	BY:
			UPDATED PER 2014 FBC	RENAMED, NEW SERIES	UPDATE TO NEW CODE	UPDATE TO NEW CODE	UPDATED PER 2010 FBC	NO.: DESCRIPTION:
			E	D	C	B	A	REVISIONS



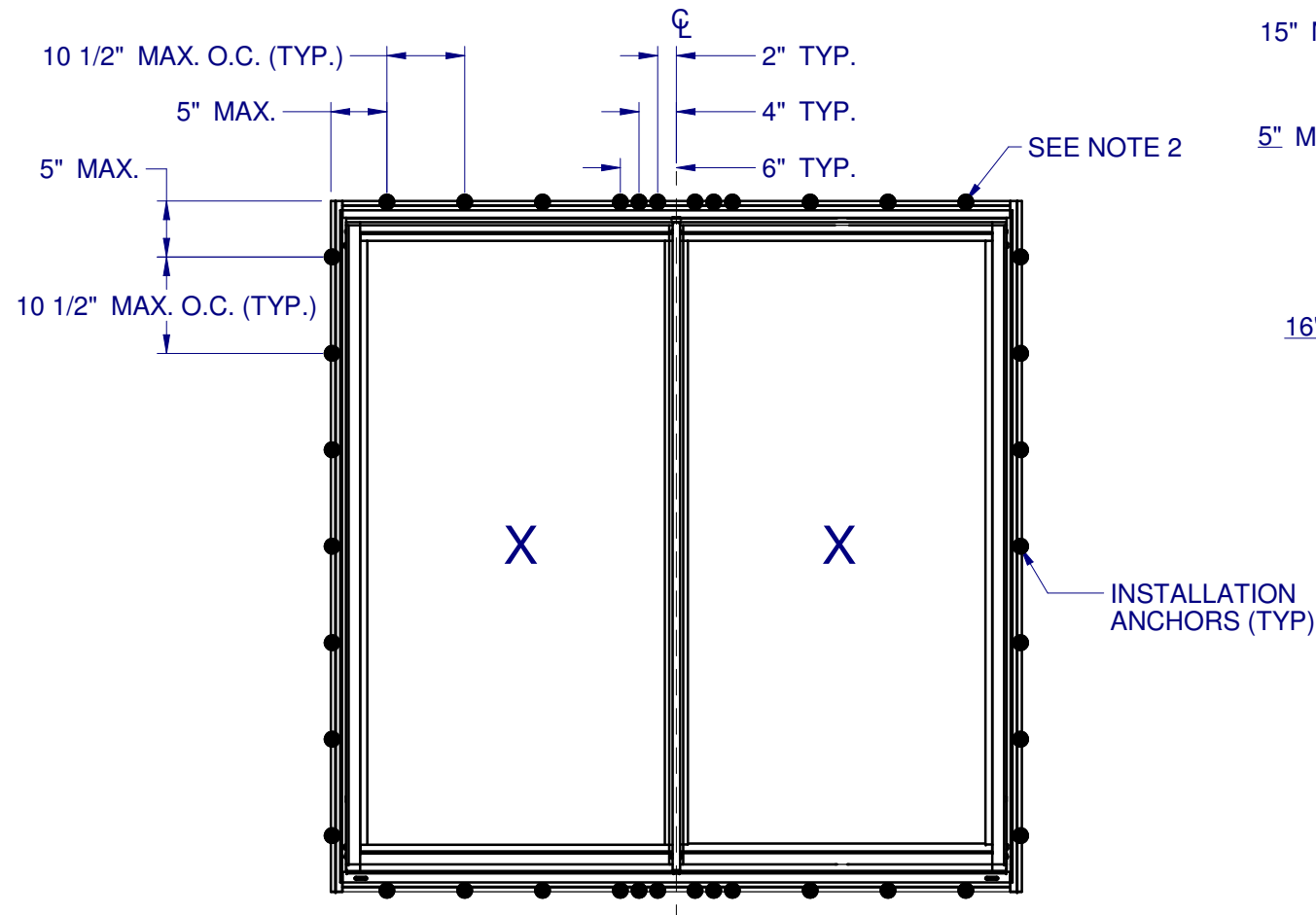
LUCAS A. TURNER, P.E.
FL PE # 58201
1239 JABARA AVE.
NORTH PORT, FL 34288
PH. 941-380-1574

SHEET DESCRIPTION:

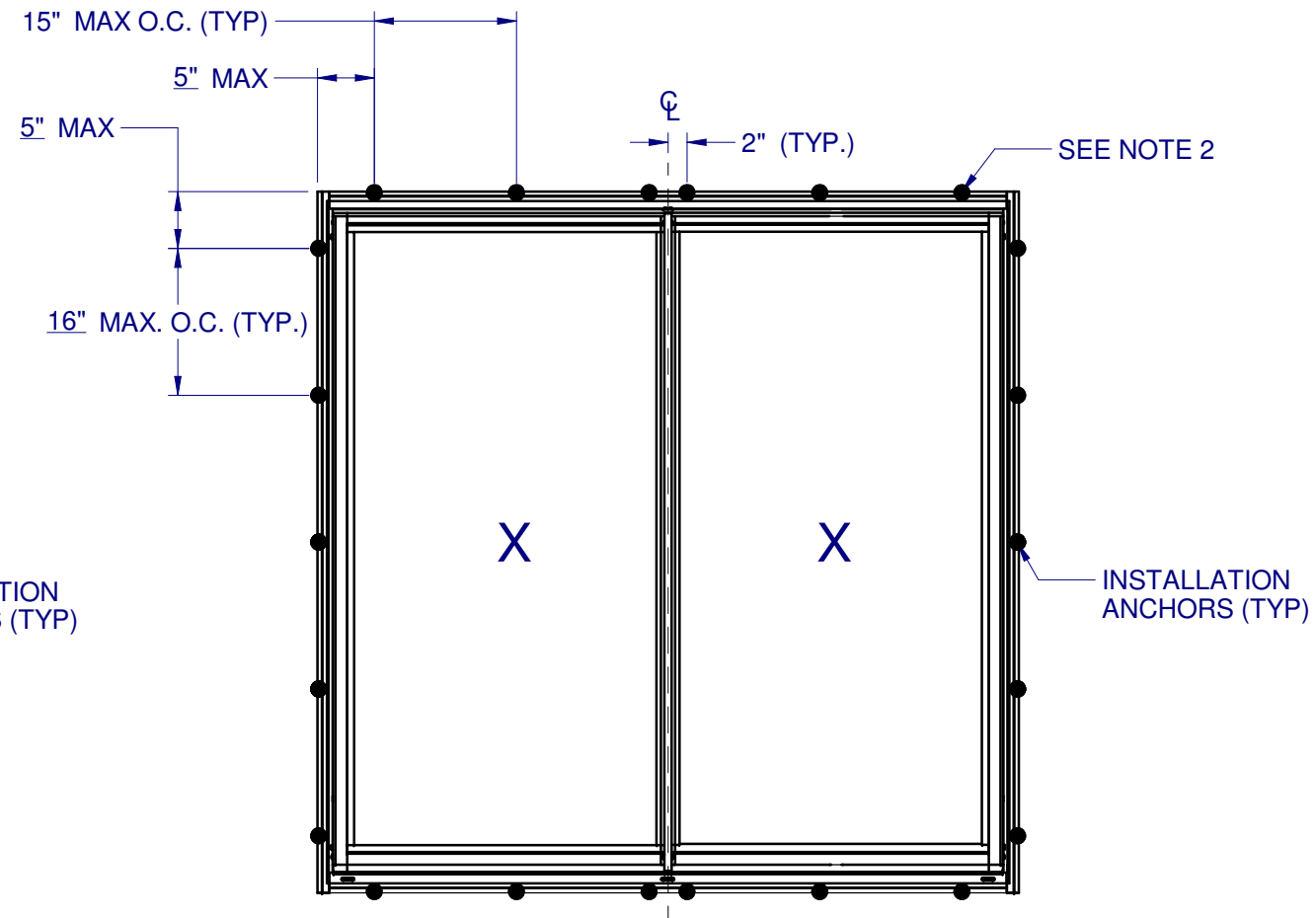
DRAWN BY: ADE	DATE: 05/07/08
DWG #: CWS-171	REV.: E
SCALE: 1:2	SHEET 4 OF 6



**5600 ALUM.
HORZ. SLIDER XX
NON-IMPACT**



ANCHOR LAYOUT - FIN
THRU NAILING FIN (METAL OPENING)



ANCHOR LAYOUT - FIN
THRU NAILING FIN (WOOD OPENING)

NOTES:

1. INSTALL ONE ANCHOR AT EACH LOCATION THRU WINDOW FRAME FIN. SILL ANCHOR SPACING SAME AS HEAD.
2. SHIM AS REQ AT EACH INSTALLATION ANCHOR USING LOAD BEARING SHIMS. MAX. ALLOWABLE SHIM STACK TO BE 1/4" USE SHIMS WHERE SPACE GREATER THAN 1/16" IS PRESENT. LOAD BEARING SHIMS SHALL BE CONSTRUCTED OF HIGH DENSITY PLASTIC OR BETTER. WOOD SHIMS ARE NOT ALLOWED.
3. ANCHOR TYPE, SIZE, SPACING AND EMBEDMENT SHALL BE AS SPECIFIED IN THESE DRAWINGS, SEE TABLE 1, SHEET 6.
4. ALL INSTALLATION ANCHORS MUST BE MADE OF OR PROTECTED WITH A CORROSION RESISTANT MATERIAL OR COATING. DISSIMILAR METALS OR MATERIALS IN CONTACT WITH PRESSURE TREATED WOOD MUST BE PROTECTED TO PREVENT REACTION.
5. INSTALLATION ANCHORS SHALL BE IN ACCORDANCE WITH ANCHOR MANUFACTURER'S INSTALLATION INSTRUCTIONS, AND ANCHORS SHALL NOT BE USED IN SUBSTRATES WITH STRENGTHS LESS THAN THE MINIMUM SPECIFIED IN TABLE 1, SHEET 6.
6. ANCHOR EMBEDMENT TO SUBSTRATE SHALL BE BEYOND WALL DRESSING OR STUCCO.
7. A MINIMUM 1" CENTER-TO-CENTER SPACING SHALL BE MAINTAINED BETWEEN ALL WOOD AND METAL FASTENERS.
8. WOOD OR MASONRY OPENINGS, BUCKS AND BUCK FASTENERS SHALL BE PROPERLY DESIGNED BY THE ARCHITECT OR ENGINEER OF RECORD AND INSTALLED TO TRANSFER WIND LOADS TO THE STRUCTURE. SUBSTRATES SHALL MEET THE MINIMUM STRENGTH REQUIREMENTS AS SHOWN IN TABLE 1, SHEET 6. CONCRETE AND MASONRY SUBSTRATES SHALL NOT BE CRACKED.
9. SEALING AND FLASHING STRATEGIES FOR OVERALL WATER RESISTANCE OF INSTALLATION SHALL BE DONE BY OTHERS FOLLOWING THE CURRENT VERSION OF THE REFERENCE DOCUMENTS: FMA/AAMA 100(FIN WINDOWS), FMA/AAMA 200(FLANGE WINDOWS), FMA/WDMA 250(BOX WINDOWS), FMA/AAMA/WDMA 300(EXTERIOR DOORS)

NO.	DESCRIPTION:	BY:	DATE:
E	UPDATED PER 2014 FBC	EMK	03/02/15
D	RENAMED, NEW SERIES	ADE	06/09/14
C	UPDATE TO NEW CODE	TEF	06/12/12
B	UPDATE TO NEW CODE	TEF	10/14/11
A	UPDATED PER 2010 FBC	ADE	07/08/08



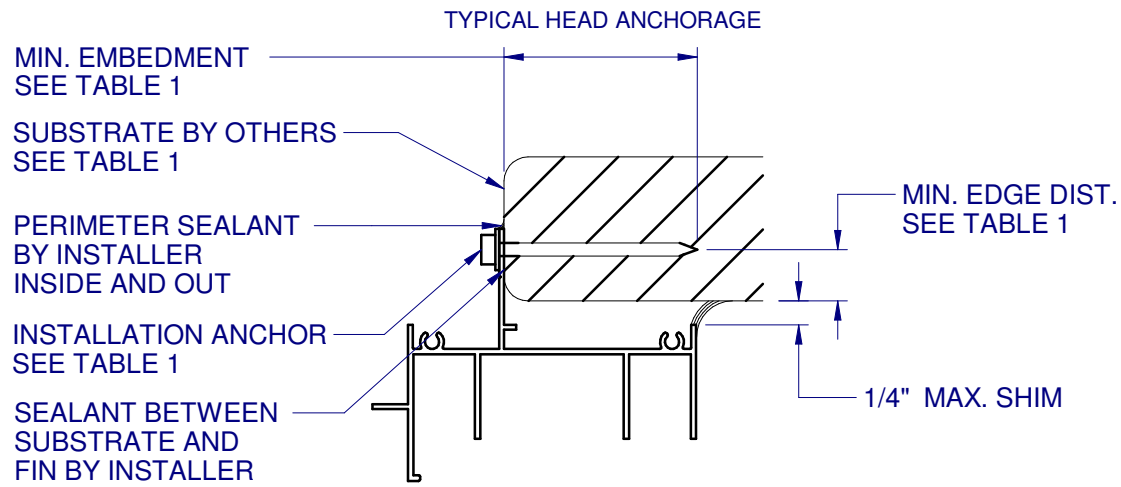
LT
4/3/2015

LUCAS A. TURNER, P.E.
FL PE # 58201
1239 JABARA AVE.
NORTH PORT, FL 34288
PH. 941-380-1574

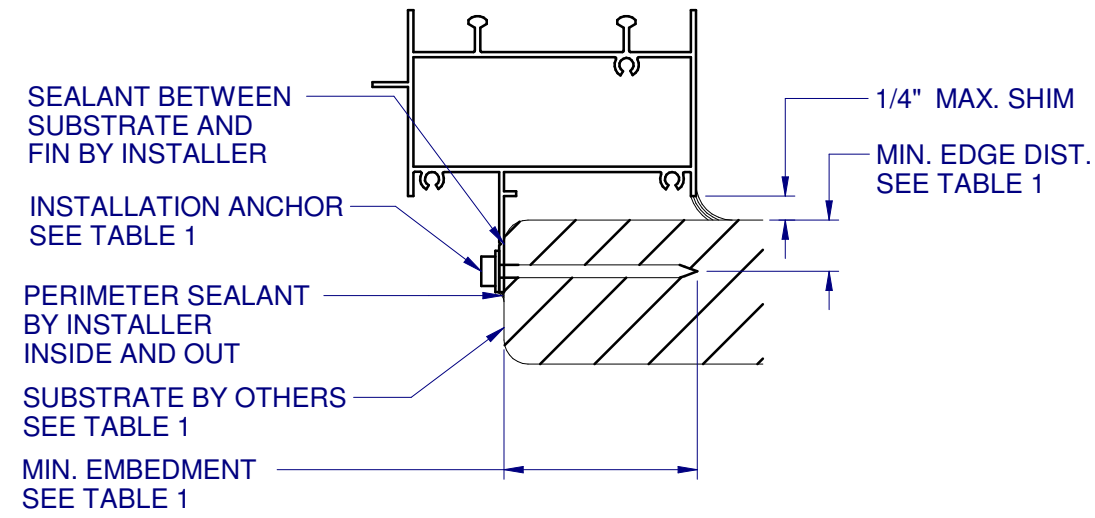
SHEET DESCRIPTION:
ANCHOR SCHEDULE AND NOTES

DRAWN BY: ADE	DATE: 05/07/08
DWG #: CWS-171	REV.: E
SCALE: 1:20	SHEET 5 OF 6

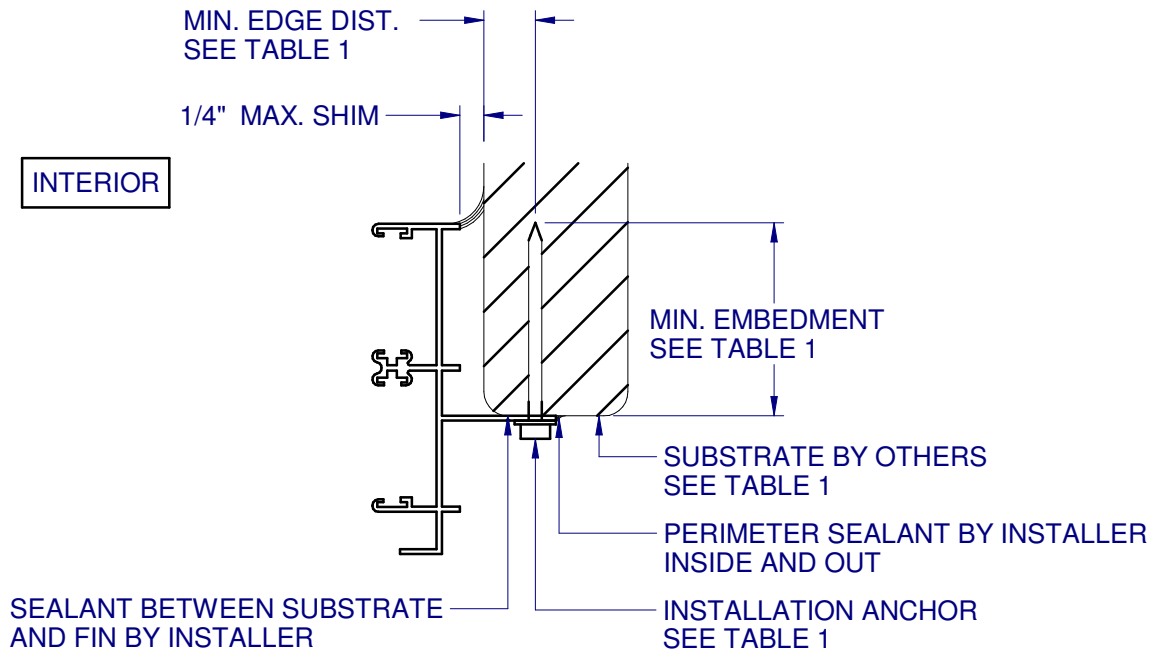
**5600 ALUM.
HORZ. SLIDER XX
NON-IMPACT**



INTERIOR



(A) VERTICAL SECTION
(6) TYPICAL SILL ANCHORAGE



(B) HORIZONTAL SECTION
(6) TYPICAL JAMB ANCHORAGE

TABLE 1: APPROVED INSTALLATION FASTENERS			
SUBSTRATE TYPE	ANCHOR TYPE	MIN. EMBEDMENT	MIN. EDGE DIST.
2x MIN. SPRUCE-PINE-FIR WOOD (G=0.42 MIN.)	#8 WOOD SCREW	1-1/2"	7/16"
16 GAUGE (0.060") MIN. STEEL (33 KSI YIELD MIN.) OR ALUMINUM (6063-T5 MIN.)	#10 GRADE 5 SELF-TAPPING / DRILLING SCREW	FULL THREAD THRU 0.060"	1/2"

NO.	DESCRIPTION:	BY:	DATE:
E	UPDATED PER 2014 FBC	EMK	03/02/15
D	RENAMED, NEW SERIES	ADE	06/09/14
C	UPDATE TO NEW CODE	TEF	06/12/12
B	UPDATE TO NEW CODE	TEF	10/14/11
A	UPDATED PER 2010 FBC	ADE	07/08/08



ZZ
4/3/2015

LUCAS A. TURNER, P.E.
FL PE # 58201
1239 JABARA AVE.
NORTH PORT, FL 34288
PH. 941-380-1574

SHEET DESCRIPTION:
INSTALLATION DETAILS

DRAWN BY: ADE	DATE: 05/07/08
DWG #: CWS-171	REV.: E
SCALE: 1:2	SHEET 6 OF 6