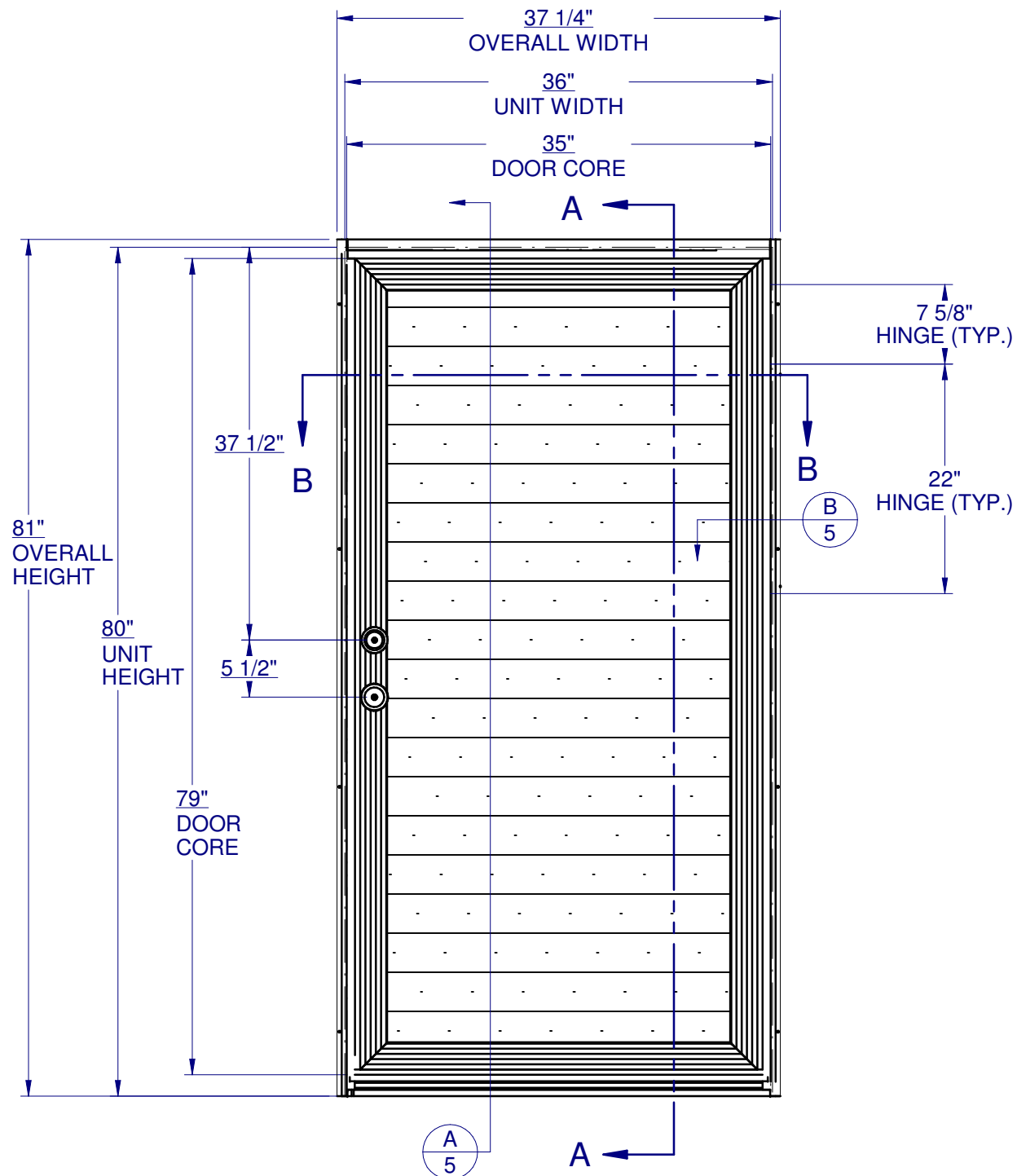


# PRIME DOOR - NON-IMPACT

(SOLID CORE)



### GENERAL NOTES:

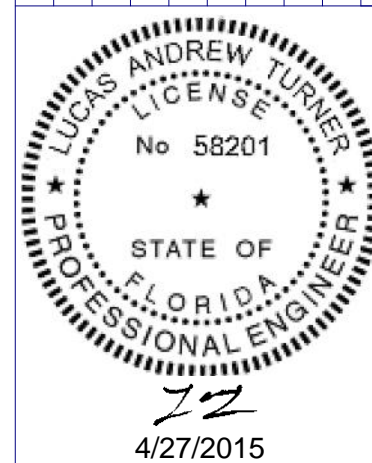
1. THE PRODUCT SHOWN HEREIN IS DESIGNED AND MANUFACTURED TO COMPLY WITH THE FLORIDA BUILDING CODE (FBC), CURRENT EDITION.
2. GLAZING OPTIONS: NONE - SOLID CORE
3. CONFIGURATIONS: OUTSWING, LEFT OR RIGHT HINGED.
4. DESIGN PRESSURE RATING:  
 -NEGATIVE DESIGN LOADS BASED ON, TESTED PRESSURE AND GLASS TABLES ASTM E-1300-04.  
 -POSITIVE DESIGN LOADS BASED ON, TESTED PRESSURE, WATER INFILTRATION TEST PRESSURE AND GLASS TABLES ASTM E-1300-04.
5. ANCHORAGE: THE 33 1/3% STRESS INCREASE HAS NOT BEEN USED IN THE DESIGN OF THIS PRODUCT. SEE SHEET 5 FOR ANCHOR DETAILS. WINDLOAD DURATION FACTOR Cd=1.6 WAS USED FOR WOOD ANCHOR CALCULATIONS.
6. NOT APPROVED FOR IMPACT RESISTANCE. IMPACT PROTECTIVE SYSTEM IS REQUIRED IN WIND BORNE DEBRIS REGION.
7. ALL FRAMES SCREWED TOGETHER. SMALL JOINT SEAM SEALANT USED AT ALL FRAME JOINTS.



1900 SW 44TH AVE.  
 Ocala, Florida 34474  
 WWW.CWS.CC

## 1000 ALUM. GUARDIAN DOOR NON-IMPACT

NO.	DESCRIPTION	BY	DATE
D	UPDATED PER 2014 FBC	EMK	04/22/15
C	UPDATED PER 2010 FBC	TEF	10/24/11
B	ADDED VENDOR IN BOM	ADE	03/13/09
A			



LUCAS A. TURNER, P.E.  
 FL PE # 58201  
 1239 JABARA AVE.  
 NORTH PORT, FL 34288  
 PH. 941-380-1574

SHEET DESCRIPTION:  
 GENERAL NOTES AND ELEVATIONS

DRAWN BY: AAJ	DATE: 03/13/09
DWG #: CWS-242	REV.: D
SCALE: 1:15	SHEET 1 OF 5

### TABLE OF CONTENTS

GENERAL NOTES & ELEVATIONS.....1  
 SECTION VIEWS.....2  
 BOM & EXTRUSIONS.....3  
 ANCHOR SCHEDULE & NOTES.....4  
 INSTALLATION DETAILS.....5

MAX. UNIT SIZE	DESIGN PRESSURE RATING	IMPACT RATING
37-1/4" x 81"	+/- 40 PSF	NONE

**1000 ALUM.  
GUARDIAN DOOR  
NON-IMPACT**

NO.	DESCRIPTION:	BY:	DATE:
D	UPDATED PER 2014 FBC	EMK	04/22/15
C	UPDATED PER 2010 FBC	TEF	10/24/11
B	ADDED VENDOR IN BOM	ADE	03/13/09
A			

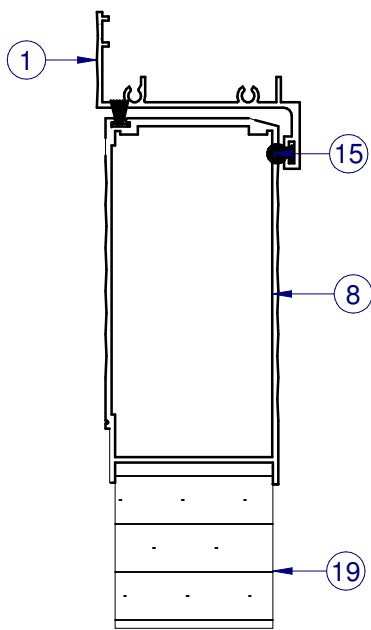


LUCAS A. TURNER, P.E.  
FL PE # 58201  
1239 JABARA AVE.  
NORTH PORT, FL 34288  
PH. 941-380-1574

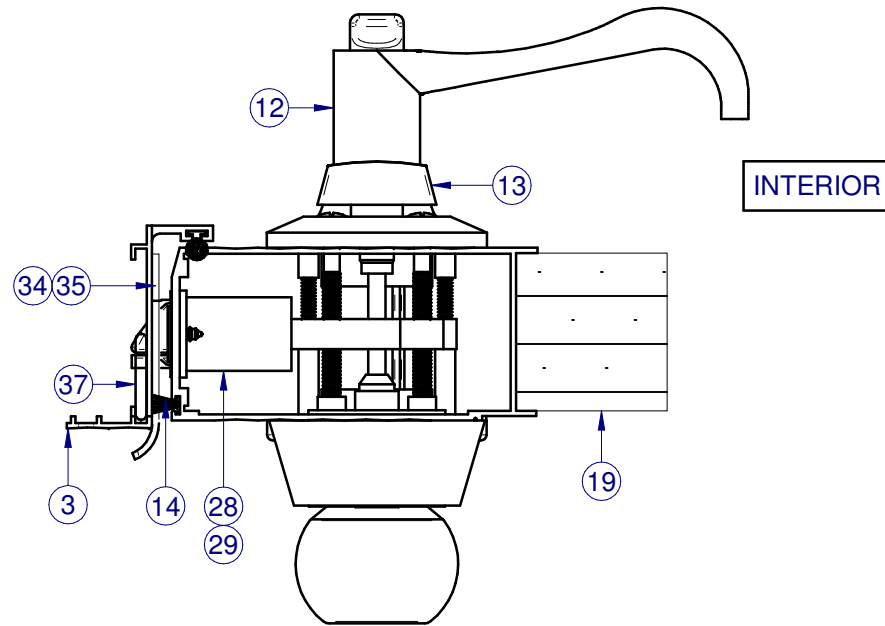
SHEET DESCRIPTION:

**SECTION VIEWS**

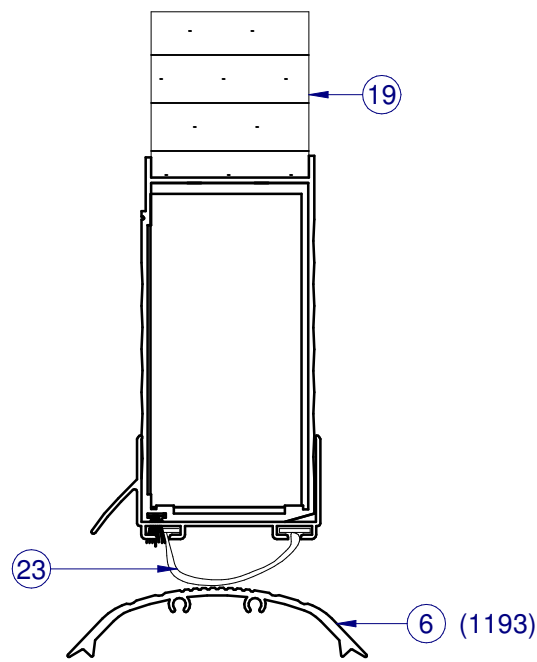
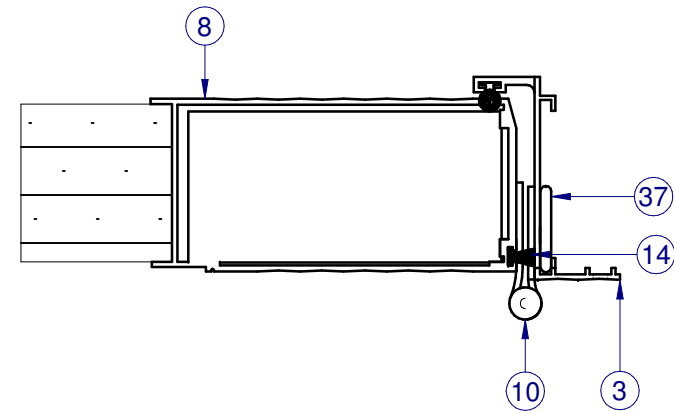
DRAWN BY: <b>AAJ</b>	DATE: 03/13/09
DWG #: <b>CWS-242</b>	REV.: <b>D</b>
SCALE: 1:2	SHEET 2 OF 5



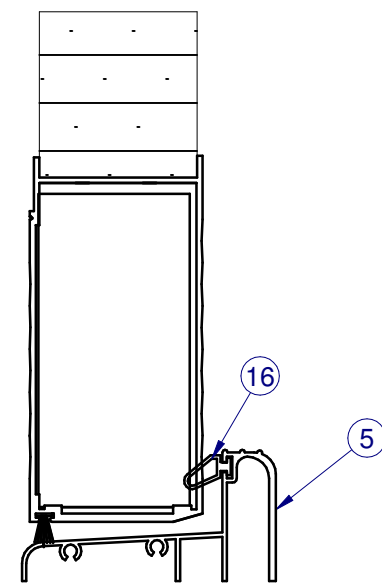
INTERIOR



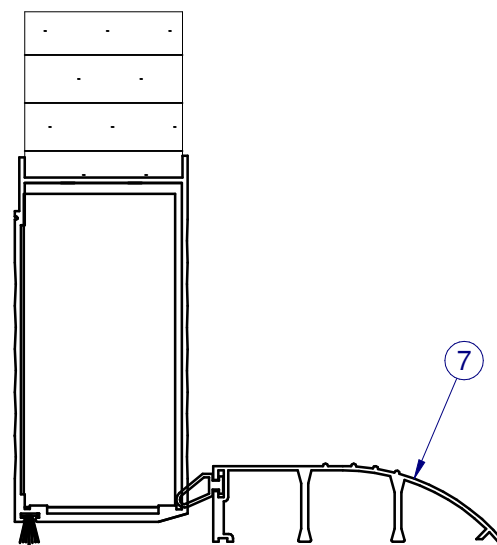
SECTION VIEW B-B



SECTION VIEW A-A



ALT. THRESHOLD (1186)



ALT. THRESHOLD (1126)

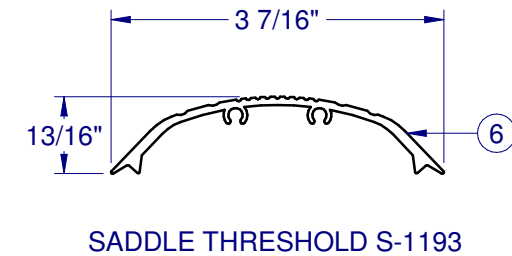
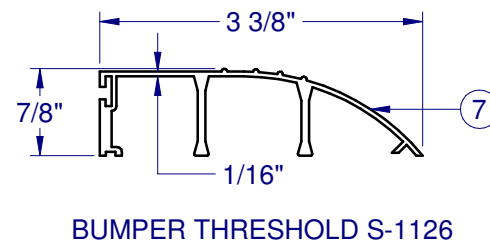
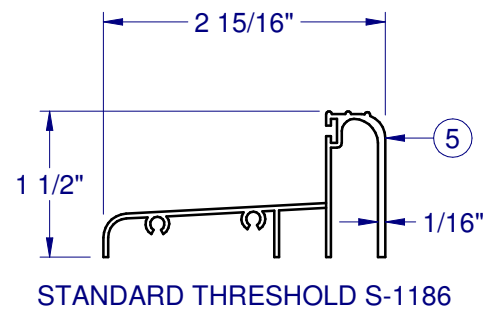
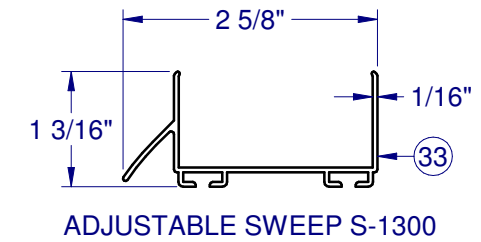
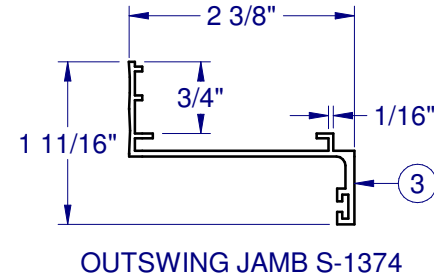
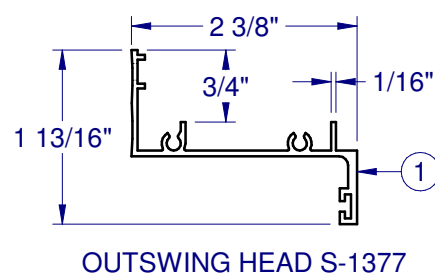
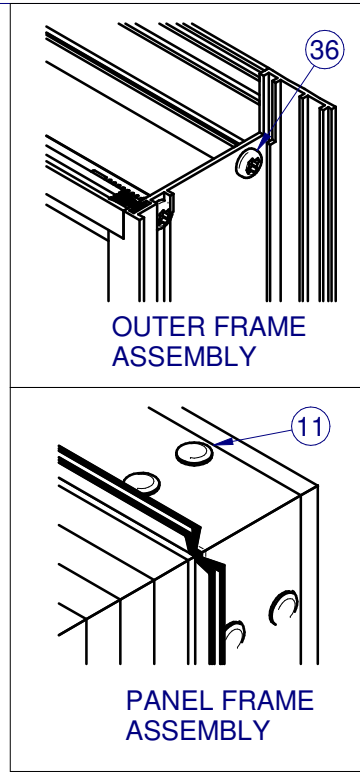
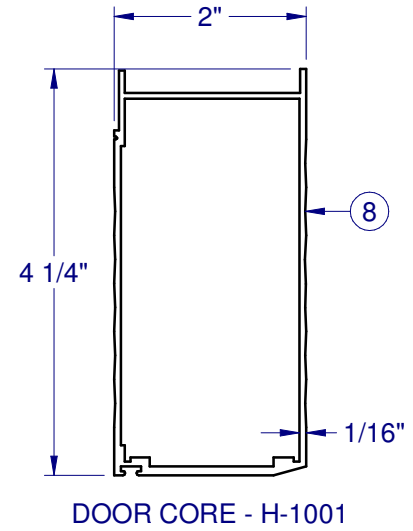
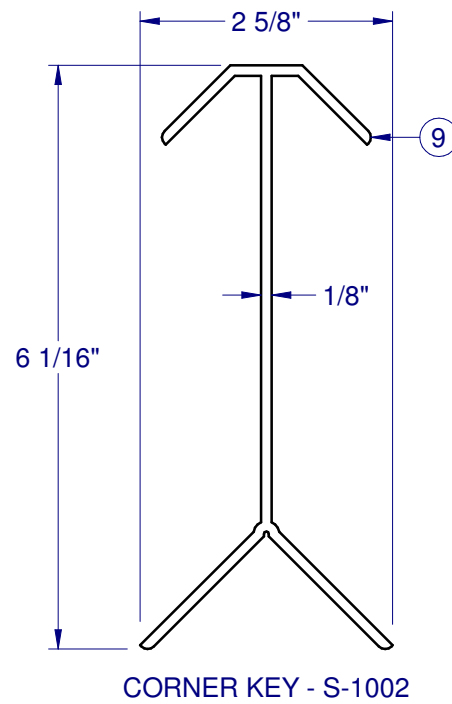
THRESHOLD	DESCRIPTION	MAX. POS. DP
1126	BUMPER THRESHOLD	NONE
1186	STANDARD THRESHOLD	+ 40
1193	SADDLE THRESHOLD	NONE

NOTE: INSTALLATION w/1126 OR 1193 THRESHOLDS ONLY ALLOWED WHERE NO WATER INFILTRATION RESISTANCE IS NEEDED.

ITEMS NOT SHOWN FOR CLARITY:  
9, 11, 17-19, 24-26, 31, 36

PARTS LIST				
ITEM	PART #	DESCRIPTION	VENDOR	MATERIAL
1	S-1377	HEAD, Z BAR, OUTSWING	KEYMARK	ALUM
3	S-1374	JAMB, Z BAR, OUTSWING	KEYMARK	ALUM
5	S-1186	THRESHOLD	KEYMARK	ALUM
6	S-1193	SADDLE THRESHOLD	KEYMARK	ALUM
7	S-1126	BUMPER THRESHOLD	KEYMARK	ALUM
8	H-1001	DOOR CORE	KEYMARK	ALUM
9	S-1002	CORNER KEY	KEYMARK	ALUM
10	P-3008	HINGES	IDEAL	SS
11	P-3376	POP RIVET	HUB	SS
12	P-3280	DEADBOLT - 3127-A-Q	DELANEY	SS
13	P-3280	LOCKSET - 3127-A-Q	DELANEY	SS
14	P-3302	WSTP, .330 x .187 FIN, BLACK SOFT TOUCH	ULTRAFAB	
15	P-3310	WSTP, .350 x .187 BULB VINYL	ULTRAFAB	
16	P-3224	WSTP., THRESHOLD VINYL	TEAM PLASTICS	
17	P-3087	GASKET, DOOR KNOB	PRATT IND.	FOAM
18	P-3204	GASKET, DEADBOLT	HO PRODUCTS	FOAM
19	P-3584	FOAM CORE	ELITE	
23	P-3214	BUGSWEEP		
24	P-3539	8 x 3/4, QUAD PAN TEK	FASTEC	STEEL
25	P-3329	FOAM BLOCK, DOOR KNOB	IMPERIAL	FOAM
26	P-3350	FOAM BLOCK, FILLER	METALS USA	
28	P-3369	CYLINDER, DOOR PLUNGER	YALE	SS
29	P-3370	CYLINDER, DEAD BOLT	YALE	SS
31	P-3531	8 x 3/8 PHIL FLAT SMS	FASTEC	SS
32	P-3214	BUGSWEEP	TEAM PLASTICS	PLASTIC
33	S-1300	ADJUSTABLE SWEEP	KEYMARK	ALUM
34	P-3367	DOOR STRIKE	YALE	SS
35	P-3368	DEADBOLT STRIKE	YALE	SS
36	P-3612	8 x 1-1/4 QUAD PAN W/ 1/4" LEAD	FASTEC	STEEL
37	P-3776	BACKER PLATE	ALCOA	ALUM

LINE ITEMS NOT USED:  
2, 4, 20-22, 27, 30



THRESHOLD	DESCRIPTION	MAX. POS. DP
1126	BUMPER THRESHOLD	NONE
1186	STANDARD THRESHOLD	+ 40
1193	SADDLE THRESHOLD	NONE

NOTE: ALL ALUMINUM EXTRUSIONS ARE 6063-T6 UNLESS OTHERWISE NOTED.

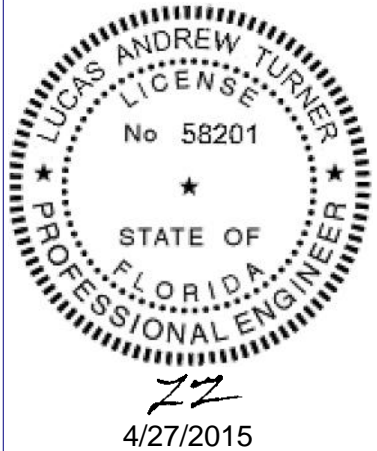
NOTE: INSTALLATION w/1126 OR 1193 THRESHOLDS ONLY ALLOWED WHERE NO WATER INFILTRATION RESISTANCE IS NEEDED.

**Custom**  
WINDOW SYSTEMS  
1900 SW 44TH AVE.  
OCALA, FLORIDA 34474  
WWW.CWS.CC

**1000 ALUM.  
GUARDIAN DOOR  
NON-IMPACT**

NO.	DESCRIPTION	BY:	DATE:
D	UPDATED PER 2014 FBC	EMK	04/22/15
C	UPDATED PER 2010 FBC	TEF	10/24/11
B	ADDED VENDOR IN BOM	ADE	03/13/09
A			

REVISIONS



LUCAS A. TURNER, P.E.  
FL PE # 58201  
1239 JABARA AVE.  
NORTH PORT, FL 34288  
PH. 941-380-1574

SHEET DESCRIPTION:  
**BOM AND EXTRUSIONS**

DRAWN BY: AAJ	DATE: 03/13/09
DWG #: CWS-242	REV.: D
SCALE: 1:2	SHEET 3 OF 5



**1000 ALUM.  
GUARDIAN DOOR  
NON-IMPACT**

NO.	DESCRIPTION	BY	DATE
D	UPDATED PER 2014 FBC	EMK	04/22/15
C	UPDATED PER 2010 FBC	TEF	10/24/11
B	ADDED VENDOR IN BOM	ADE	03/13/09
A			

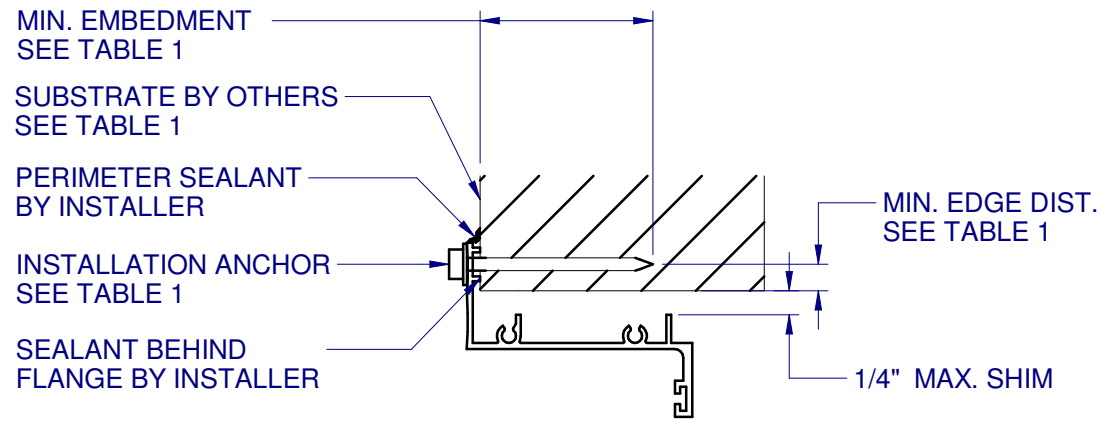


LUCAS A. TURNER, P.E.  
FL PE # 58201  
1239 JABARA AVE.  
NORTH PORT, FL 34288  
PH. 941-380-1574

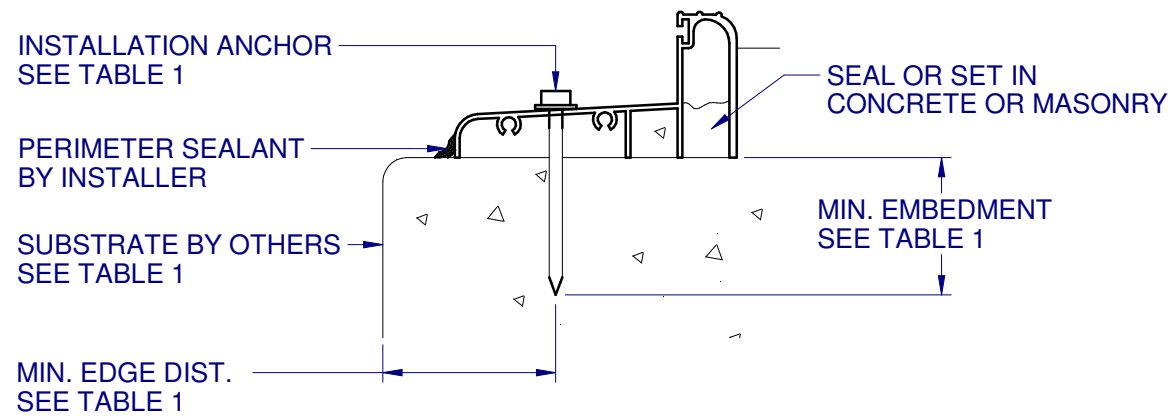
SHEET DESCRIPTION:  
**INSTALLATION DETAILS**

DRAWN BY: <b>AAJ</b>	DATE: <b>03/13/09</b>
DWG #: <b>CWS-242</b>	REV.: <b>D</b>
SCALE: <b>1:2</b>	<b>SHEET 5 OF 5</b>

TYPICAL HEAD ANCHORAGE

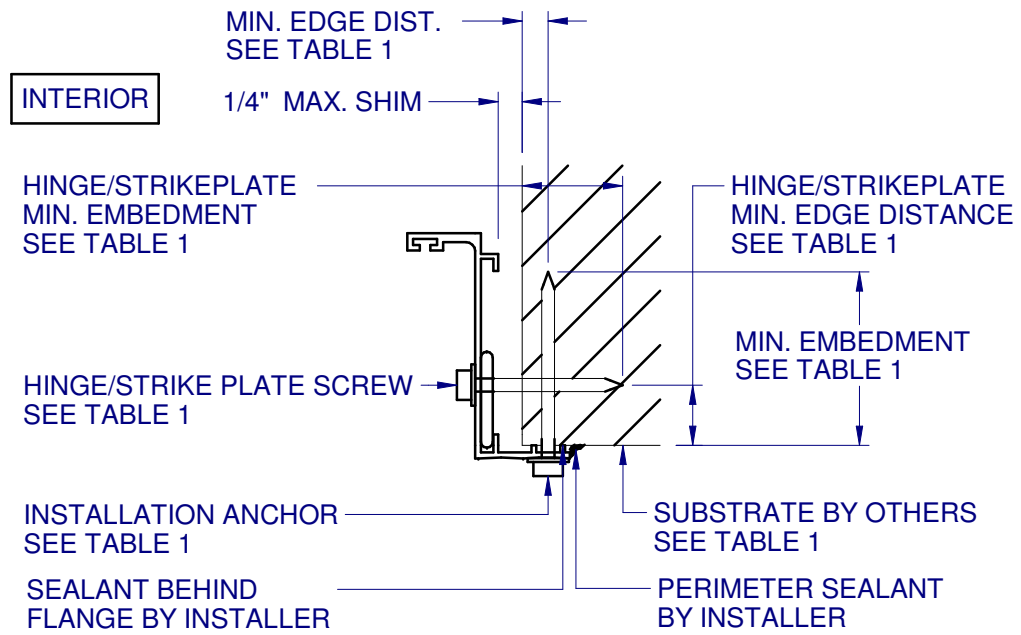


INTERIOR



**A** VERTICAL SECTION  
**5** TYPICAL SILL ANCHORAGE

INTERIOR



**B** HORIZONTAL SECTION  
**5** TYPICAL JAMB ANCHORAGE

**TABLE 1: APPROVED INSTALLATION FASTENERS**

SUBSTRATE TYPE	ANCHOR TYPE	MIN. EMBEDMENT	MIN. EDGE DIST.
CONCRETE (2.0 KSI MIN.)	3/16" ITW TAPCON	1"	1-1/8"
CONCRETE (2.85 KSI MIN.)	3/16" ELCO ULTRACON	1"	1"
2X MIN. SOUTHERN PINE (G=0.55)	#10 WOOD SCREW	1-3/8"	1/2"
0.045" ALUM. (6063-T5 MIN.) OR 0.045" STEEL (33 KSI MIN.)	#10 GRADE 5 SELF-TAPPING / DRILLING SCREW	FULL THREAD THRU 0.045"	1/2"
HINGE AND STRIKE PLATE ANCHORS 2X MIN. SOUTHERN PINE (G=0.55)	#8 WOOD SCREW	1-3/8"	7/8"