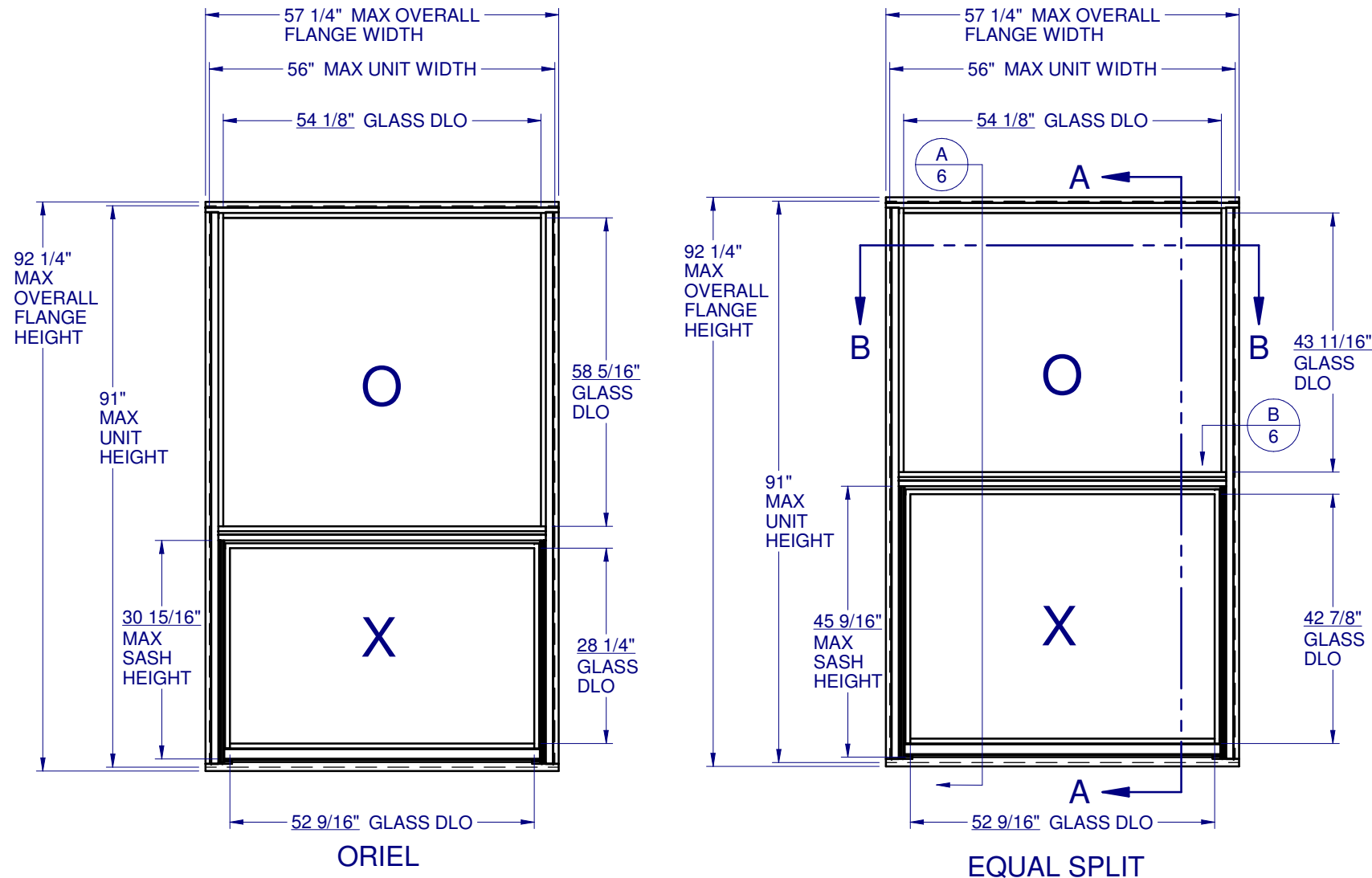


# SINGLE HUNG - NON-IMPACT



## GENERAL NOTES:

1. THE PRODUCT SHOWN HEREIN IS DESIGNED AND MANUFACTURED TO COMPLY WITH THE FLORIDA BUILDING CODE (FBC), CURRENT EDITION.
2. GLAZING OPTIONS: (SEE SHEET 2)
3. CONFIGURATIONS: "O/X".
4. DESIGN PRESSURE RATING:  
-NEGATIVE DESIGN LOADS BASED ON TESTED PRESSURE AND GLASS TABLES ASTM E-1300-04.  
-POSITIVE DESIGN LOADS BASED ON TESTED PRESSURE, WATER INFILTRATION TEST PRESSURE AND GLASS TABLES ASTM E-1300-04.
5. ANCHORAGE: THE 33 1/3% STRESS INCREASE HAS NOT BEEN USED IN THE DESIGN OF THIS PRODUCT. SEE SHEETS 5-6 FOR INSTALLATION DETAILS.
6. NOT APPROVED FOR IMPACT RESISTANCE. IMPACT PROTECTIVE SYSTEM IS REQUIRED IN WIND BORNE DEBRIS REGION.
7. ALL FRAMES SCREWED TOGETHER. SMALL JOINT SEAM SEALANT USE AT ALL FRAME JOINTS.
8. SERIES / MODEL DESIGNATION SH-3500.
9. PORCH ENCLOSURE IS RESPONSIBILITY OF ARCHITECT OR ENGINEER OF RECORD.
10. THE DESIGNATION X AND O STAND FOR THE FOLLOWING:  
X = OPERABLE SASH, O = FIXED SASH.
11. SECTION CALLOUTS FROM ELEVATIONS APPLY TO ALL ELEVATIONS IN A SIMILAR LOCATION.
12. WEEP SLOTS = 1/4" X 1 1/4" LOCATED 4" FROM BOTH ENDS.



1900 SW 44TH AVE.  
OCALA, FLORIDA 34474  
WWW.CWS.CC

## 3500 ALUM. SINGLE HUNG NON-IMPACT

NO.	DESCRIPTION	BY	DATE
B	UPDATED PER 2014 FBC	EMK	02/24/15
A	UPDATED PER 2010 FBC	ADE	10/12/11



27  
4/3/2015

LUCAS A. TURNER, P.E.  
FL PE # 58201  
1239 JABARA AVE.  
NORTH PORT, FL 34288  
PH. 941-380-1574

SHEET DESCRIPTION:  
GENERAL NOTES AND ELEVATIONS

DRAWN BY: ADE	DATE: 10/22/09
DWG #: CWS-515	REV.: B
SCALE: 1:25	SHEET 1 OF 6

### TABLE OF CONTENTS

GENERAL NOTES & ELEVATIONS.....	1
GLAZING DETAIL.....	2
SECTION VIEWS.....	3
EXTRUSIONS & B.O.M.....	4
ANCHOR SCHEDULE & NOTES.....	5
INSTALLATION DETAIL.....	6

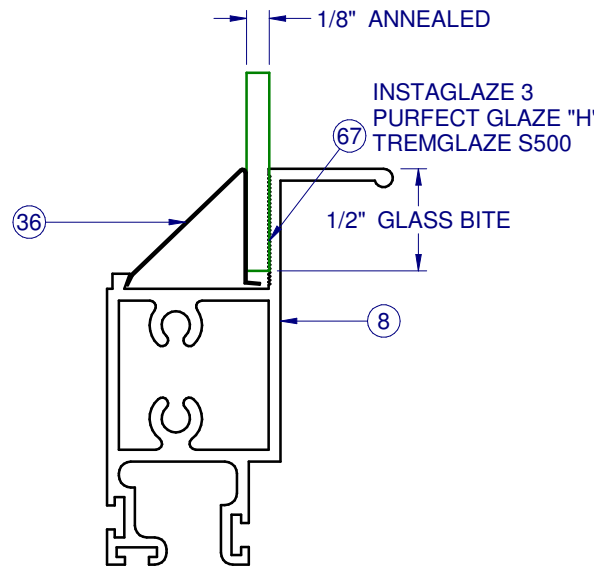
CONFIG.	MAX. UNIT SIZE	DESIGN PRESSURE RATING	IMPACT RATING
EQUAL SPLIT	56" x 91"	+/-35 PSF	NONE
ORIEL			

NOTE:  
GLASS TYPE (A) ONLY AVAILABLE IN SASH OF ORIEL UNIT, NOT IN ORIEL FIXED SECTION OR IN EQUAL SPLIT.

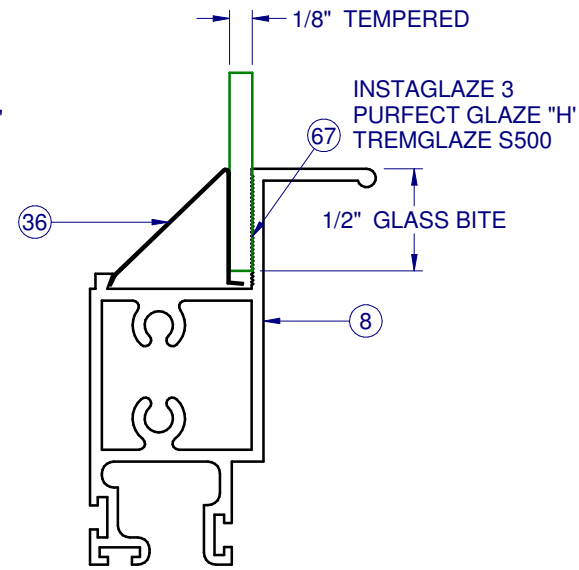
	GLASS TYPE	
	FIXED GLASS	SASH GLASS
<b>EQUAL</b> 56 x 91 DP +/-35	B THRU H	B THRU H
<b>ORIEL</b> 56 x 91 DP +/-35	B THRU H	A THRU H

**Custom**  
**WINDOW SYSTEMS**  
1900 SW 44TH AVE.  
OCALA, FLORIDA 34474  
WWW.CWS.CC

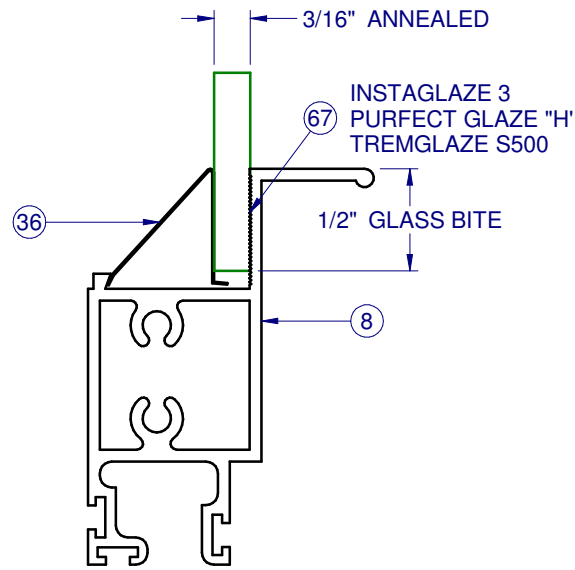
**3500 ALUM.  
SINGLE HUNG  
NON-IMPACT**



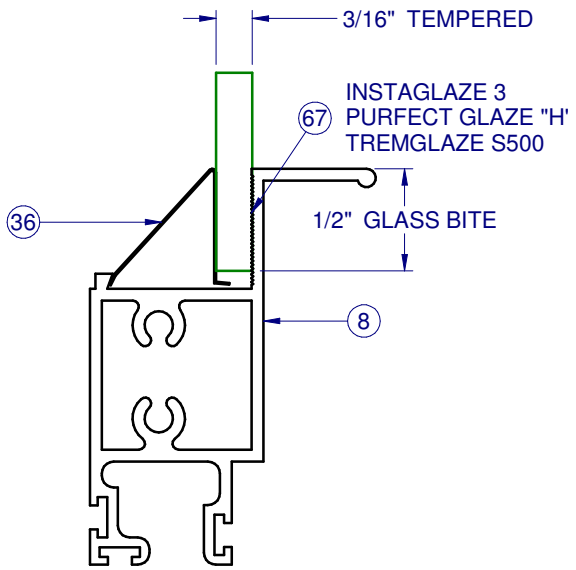
GLASS TYPE A



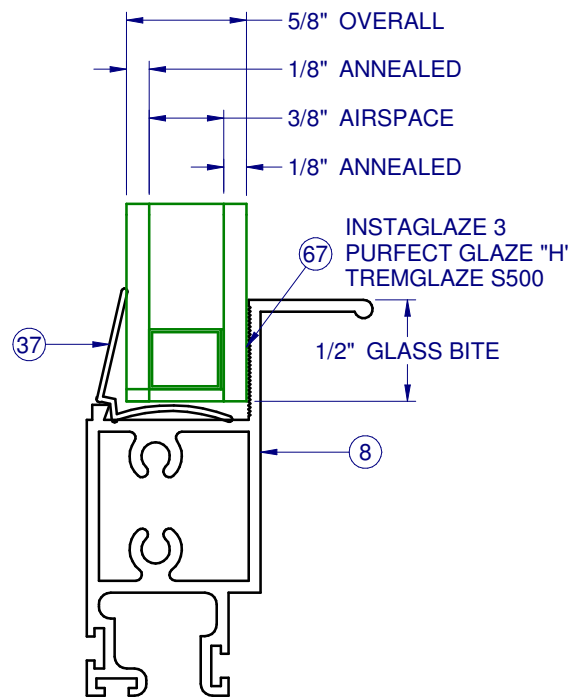
GLASS TYPE B



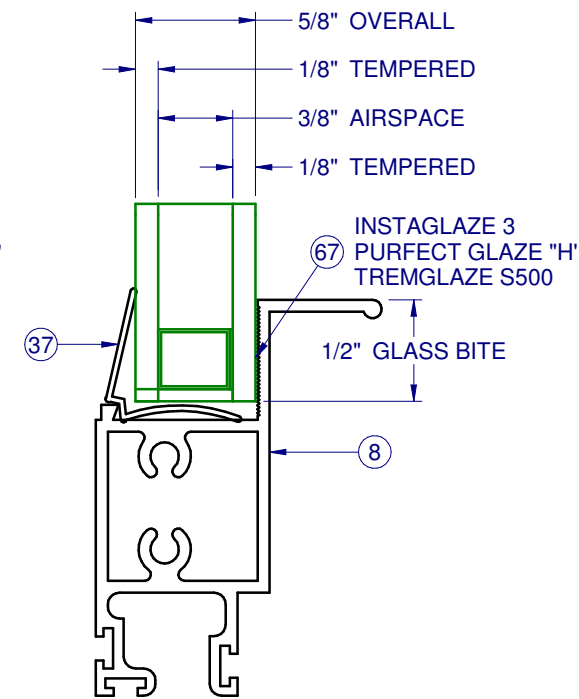
GLASS TYPE C



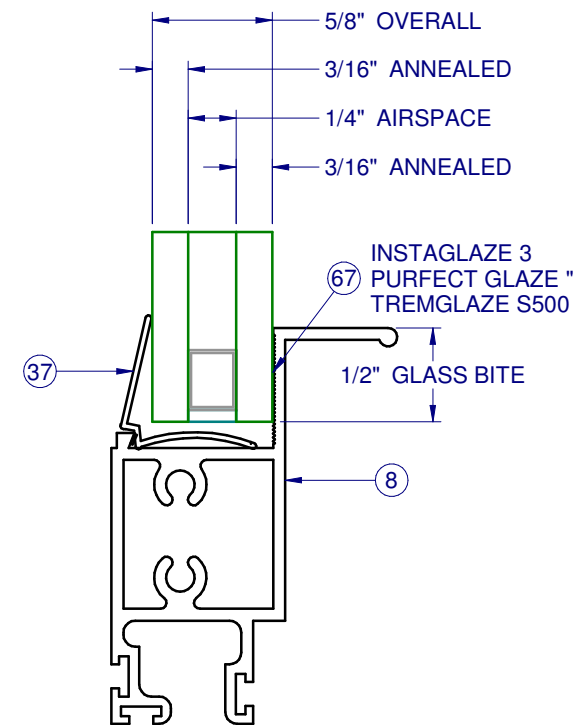
GLASS TYPE D



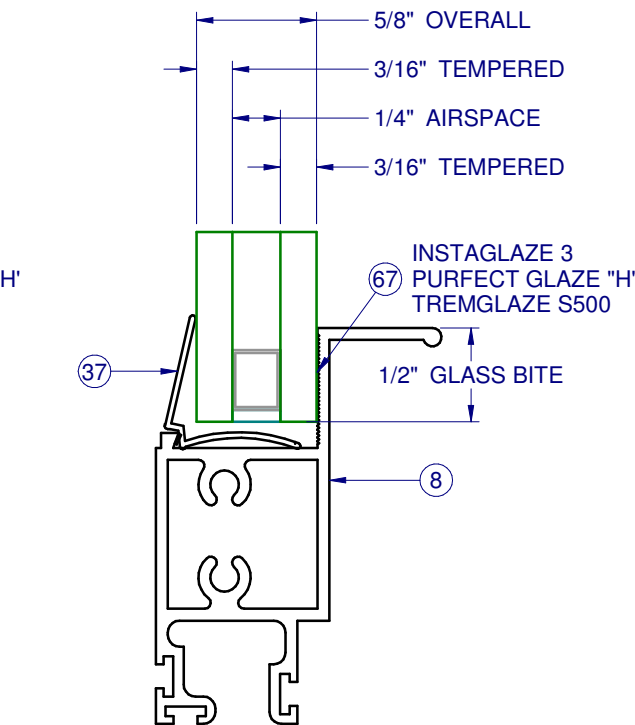
GLASS TYPE E



GLASS TYPE F



GLASS TYPE G



GLASS TYPE H

NO.	DESCRIPTION:	BY:	DATE:
B	UPDATED PER 2014 FBC	EMK	02/24/15
A	UPDATED PER 2010 FBC	ADE	10/12/11



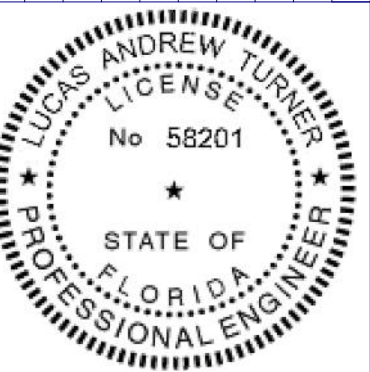
LUCAS A. TURNER, P.E.  
FL PE # 58201  
1239 JABARA AVE.  
NORTH PORT, FL 34288  
PH. 941-380-1574

SHEET DESCRIPTION:  
**GLAZING DETAIL**

DRAWN BY: <b>ADE</b>	DATE: <b>10/22/09</b>
DWG #: <b>CWS-515</b>	REV.: <b>B</b>
SCALE: <b>1:1</b>	<b>SHEET 2 OF 6</b>

**3500 ALUM.  
SINGLE HUNG  
NON-IMPACT**

NO.	DESCRIPTION:	BY:	DATE:
B	UPDATED PER 2014 FBC	EMK	02/24/15
A	UPDATED PER 2010 FBC	ADE	10/12/11

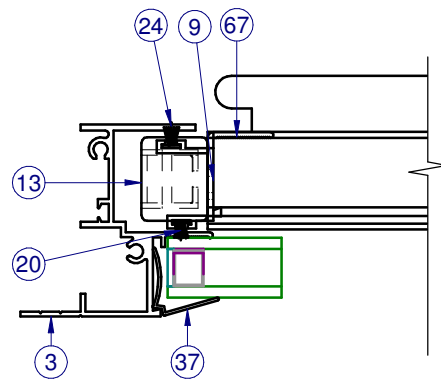
  
*LT*  
 4/3/2015

LUCAS A. TURNER, P.E.  
FL PE # 58201  
1239 JABARA AVE.  
NORTH PORT, FL 34288  
PH. 941-380-1574

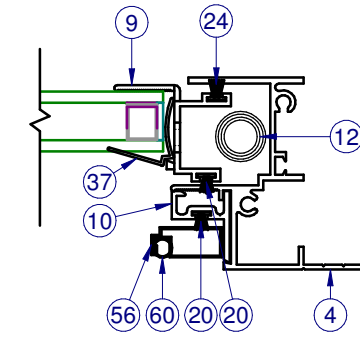
SHEET DESCRIPTION:  
**SECTION VIEWS**

DRAWN BY: <b>ADE</b>	DATE: <b>10/22/09</b>
DWG #: <b>CWS-515</b>	REV.: <b>B</b>
SCALE: <b>1:2</b>	<b>SHEET 3 OF 6</b>

INTERIOR

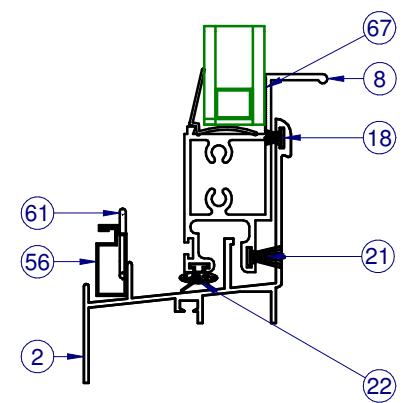
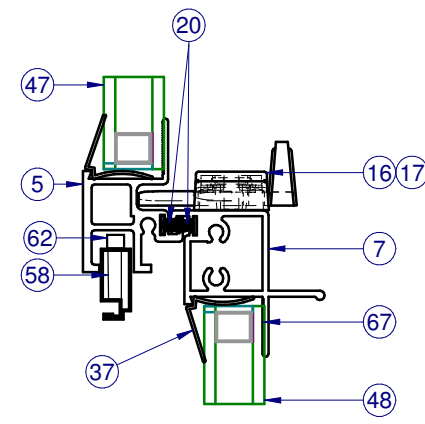
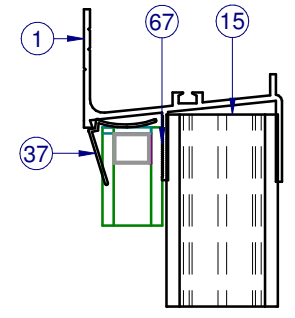


SECTION VIEW B-B



NOTE: LEFT SIDE SHOWS FIXED SECTION VIEW,  
RIGHT SIDE SHOWS SASH SECTION VIEW

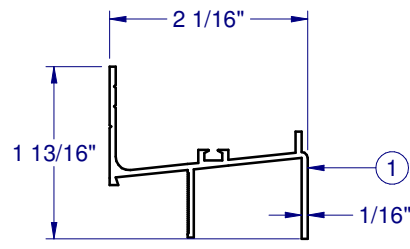
INTERIOR



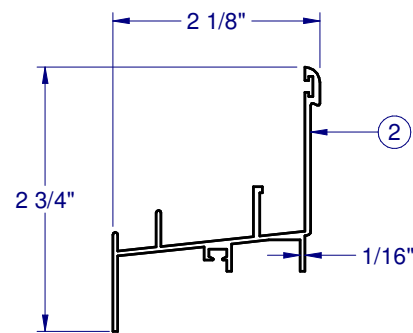
SECTION VIEW A-A

NOTE: ITEMS NOT SHOWN FOR CLARITY:  
11, 14, 23, 26-32, 34, 35, 42, 43-46, 59, 63, 65, 66

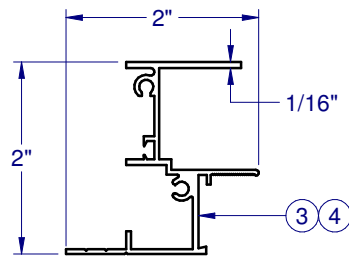
PARTS LIST				
Item	Part #	Description	Vendor	Material
1	S-1326	Fr. Head, Flg., Head	Keymark	Aluminum
2	S-1182	Fr. Sill, Flg., Sill	Keymark	Aluminum
3	S-1077	Fr. Jamb, Flg., L. Jb.	Keymark	Aluminum
4	S-1077	Fr. Jamb, Flg., R. Jb.	Keymark	Aluminum
5	H-1563	Fxd. Mtg. Rail	Keymark	Aluminum
7	H-1072	Sash Meet. Rail	Keymark	Aluminum
8	H-1181	Sash Bot./Pull Rail	Keymark	Aluminum
9	S-1073	Sash Side/Top Rail	Keymark	Aluminum
10	S-1074	Scrn. Adapt., w/o leg, Vert.	Keymark	Aluminum
12	P-3340	Balance	Caldwell	
13	P-3040	Sash Cam	M&M	
14	P-3046	Take Out Clip		
15	P-3043	Sash Stop	TeamPlas	
16	P-3037	Sweep Lock, RH	Lawrence	Nylon
17	P-3038	Sweep Lock, LH	Lawrence	Nylon
18	P-3305	Wstp., 0.270 x .187 back FinSeal, Black, SoftTouch	Ultrafab	Nylon
20	P-3303	Wstp., 0.190 x .187 back FinSeal, Gray, SoftTouch	Ultrafab	Nylon
21	P-3305	Wstp., 0.270 x .187 back FinSeal, Black, SoftTouch	Ultrafab	Nylon
22	P-3011	Wstp., 0.350 x .187 back, foam filled bulb w/wands	Ultrafab	Nylon
23	P-3303	Wstp., 0.190 x .187 back FinSeal, Gray, SoftTouch	Ultrafab	Nylon
24	P-3309	Wstp., 0.210 x .187 back FinSeal, Black, SoftTouch	Ultrafab	Nylon
26	P-3612	#8 x 1.000 w/ 1/4" lead Quad PH Type A SMS	Fastenal	Steel
28	P-3635	#8 x 0.750 Quad PH Type A SMS	Fastenal	Steel
29	P-3515	#8 x 0.625 Ph FH Type A SMS	Fastenal	Steel
30	P-3264	Gasket, Hd. & Sill at Jb., SH-3500	HO Prod	Closed Cel
33	P-3342	Seam Sealer, SM-5504	Schnee	
34	P-3373	Pad, Sill, SH-3500	Visor	Open Cell
36	P-3022	Glazing Bead, Single Glazed	Fla Scrn	Metal
37	P-3020	Glazing Bead, Insulated glass	TeamPlas	PVC
42	P-3352	Set. Blk., 85 Dur., 1/8" x 5/8" x 2" Lg.	Frank Lowe	
43	P-3641	SH-3500 Gold Cert. Label		
45	P-3881	Temporary Lbl. (NFRC/DP)		
46	P-3613	CWS Lbl. (logo)		
47		Glass, Fixed		
48		Glass, Sash		
56	P-3218	Screen Frame	Allmetal	Alum
58	P-3321	Screen Frame Corner Key	Allmetal	Alum
59	P-3581	Screen Cloth, 18 x 16 Fiberglass	Phifer	
60	P-3228	Screen Spline, .155 Dia., Blk.	Dapa	Nylon
61	P-3029	Screen Pull Tab	Summit	Steel
62	P-3033	Screen Spring, SS	FlaScrn	SS
66	S-1112	Fr. Head, Flange Archtop	Keymark	Aluminum
67		Instaglaze 3, Purfect Glaze "H", TremglazeS500	Dow,Henkel,Tremco	



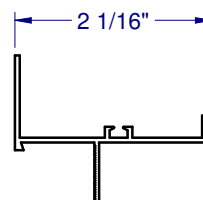
FLANGE HEAD S-1326



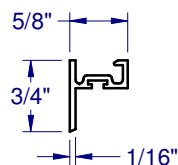
FLANGE SILL S-1182



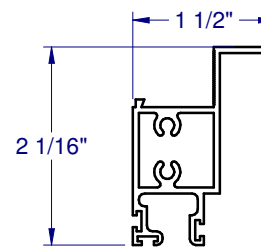
FLANGE JAMB S-1077



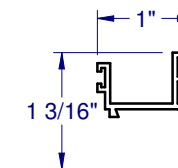
FLANGE HEAD, ARCHTOP S-1112



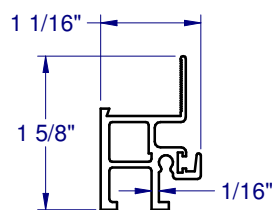
SCREEN ADAPTER S-1074



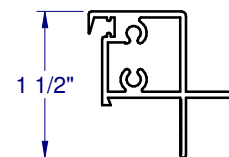
SASH BOTTOM RAIL H-1181



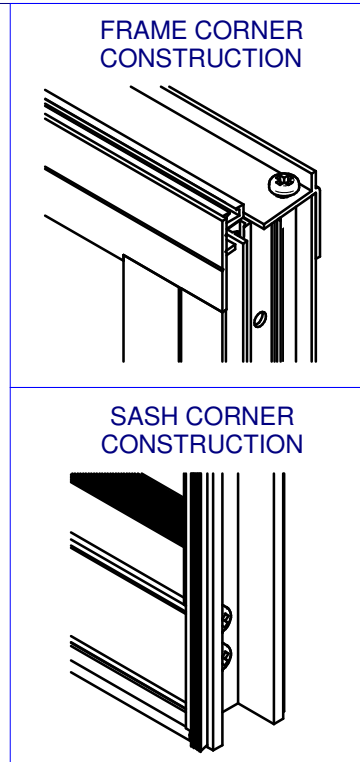
SASH SIDE RAIL S-1073



FIXED RAIL H-1563



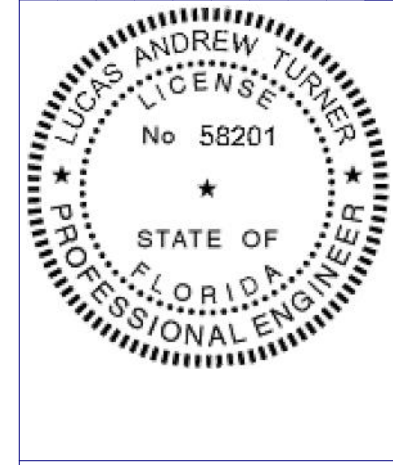
SASH TOP RAIL H-1072



**Custom**  
WINDOW SYSTEMS  
1900 SW 44TH AVE.  
OCALA, FLORIDA 34474  
WWW.CWS.CC

**3500 ALUM.  
SINGLE HUNG  
NON-IMPACT**

NO.	DESCRIPTION:	BY:	DATE:
B	UPDATED PER 2014 FBC	EMK	02/24/15
A	UPDATED PER 2010 FBC	ADE	10/12/11

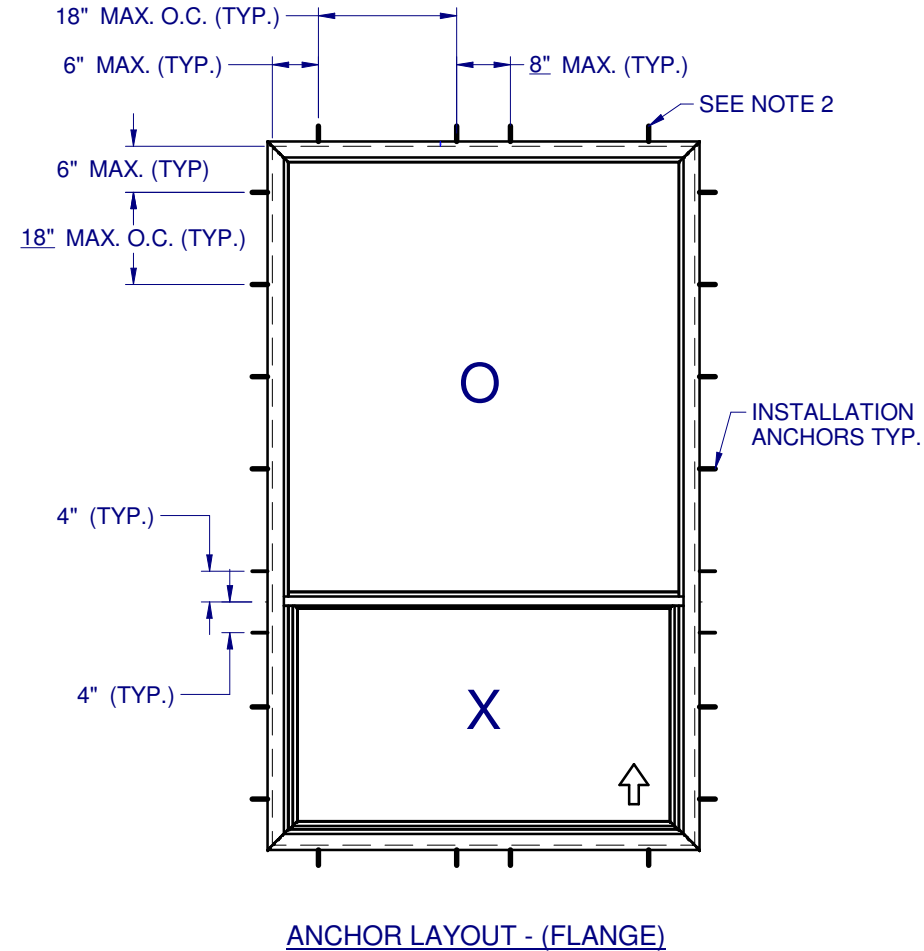
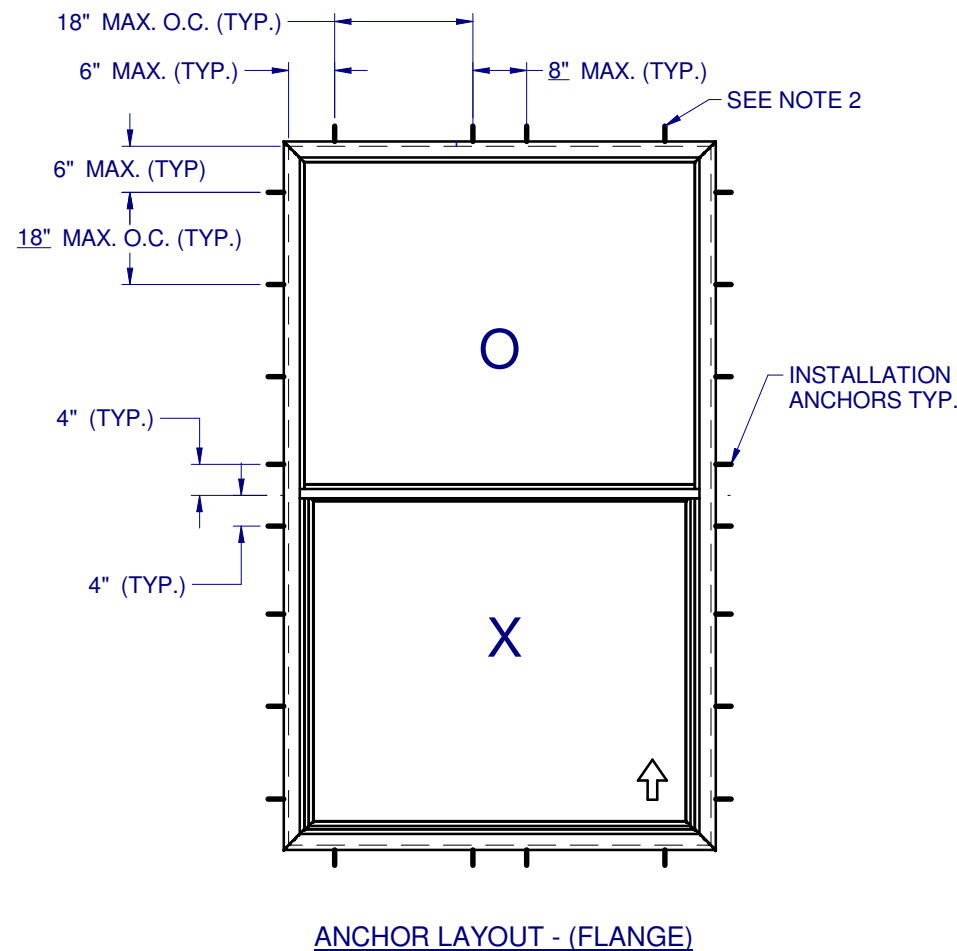


LUCAS A. TURNER, P.E.  
FL PE # 58201  
1239 JABARA AVE.  
NORTH PORT, FL 34288  
PH. 941-380-1574

SHEET DESCRIPTION:  
**BOM AND EXTRUSIONS**

DRAWN BY: <b>ADE</b>	DATE: 10/22/09
DWG #: <b>CWS-515</b>	REV.: <b>B</b>
SCALE: 1:2	SHEET 4 OF 6

**3500 ALUM.  
SINGLE HUNG  
NON-IMPACT**



NOTES:

1. INSTALL ONE PAIR OF ANCHORS AT EACH LOCATION CONSISTING OF ONE ANCHOR THRU THE WINDOW FLANGE AND ONE ANCHOR THRU THE WINDOW FRAME. SILL ANCHOR SPACING SAME AS HEAD.
2. SHIM AS REQ AT EACH INSTALLATION ANCHOR USING LOAD BEARING SHIMS. MAX. ALLOWABLE SHIM STACK TO BE 1/4". USE SHIMS WHERE SPACE GREATER THAN 1/16" IS PRESENT. LOAD BEARING SHIMS SHALL BE CONSTRUCTED OF HIGH DENSITY PLASTIC OR BETTER. WOOD SHIMS ARE NOT ALLOWED.
3. ANCHOR TYPE, SIZE, SPACING AND EMBEDMENT SHALL BE AS SPECIFIED IN THESE DRAWINGS, SEE TABLE 1, SHEET 6.
4. ALL INSTALLATION ANCHORS MUST BE MADE OF OR PROTECTED WITH A CORROSION RESISTANT MATERIAL OR COATING. DISSIMILAR METALS OR MATERIALS IN CONTACT WITH PRESSURE TREATED WOOD MUST BE PROTECTED TO PREVENT REACTION.
5. INSTALLATION ANCHORS SHALL BE IN ACCORDANCE WITH ANCHOR MANUFACTURER'S INSTALLATION INSTRUCTIONS, AND ANCHORS SHALL NOT BE USED IN SUBSTRATES WITH STRENGTHS LESS THAN THE MINIMUM SPECIFIED IN TABLE 1, SHEET 6.
6. ANCHOR EMBEDMENT TO SUBSTRATE SHALL BE BEYOND WALL DRESSING OR STUCCO.
7. A MINIMUM 1" CENTER-TO-CENTER SPACING SHALL BE MAINTAINED BETWEEN ALL METAL FASTENERS.
8. PORCH ENCLOSURE SHALL BE PROPERLY DESIGNED BY THE ARCHITECT OR ENGINEER OF RECORD AND INSTALLED TO TRANSFER WIND LOADS TO THE STRUCTURE. SUBSTRATES SHALL MEET THE MINIMUM STRENGTH REQUIREMENTS AS SHOWN IN TABLE 1, SHEET 6.
9. SEALING AND FLASHING STRATEGIES FOR OVERALL WATER RESISTANCE OF INSTALLATION SHALL BE DONE BY OTHERS FOLLOWING THE CURRENT VERSION OF THE REFERENCE DOCUMENTS: FMA/AAMA 100(FIN WINDOWS), FMA/AAMA 200(FLANGE WINDOWS), FMA/WDMA 250(BOX WINDOWS), FMA/AAMA/WDMA 300(EXTERIOR DOORS)

NO.	DESCRIPTION:	BY:	DATE:
B	UPDATED PER 2014 FBC	EMK	02/24/15
A	UPDATED PER 2010 FBC	ADE	10/12/11



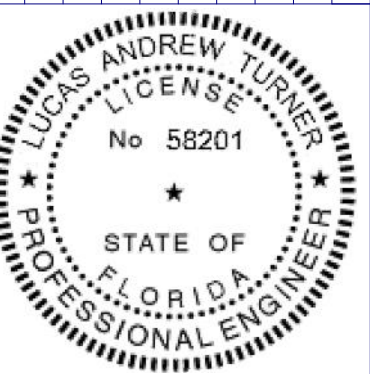
LUCAS A. TURNER, P.E.  
FL PE # 58201  
1239 JABARA AVE.  
NORTH PORT, FL 34288  
PH. 941-380-1574

SHEET DESCRIPTION:  
**ANCHOR SCHEDULE AND NOTES**

DRAWN BY: ADE	DATE: 10/22/09
DWG #: CWS-515	REV.: B
SCALE: 1:25	SHEET 5 OF 6

**3500 ALUM.  
SINGLE HUNG  
NON-IMPACT**

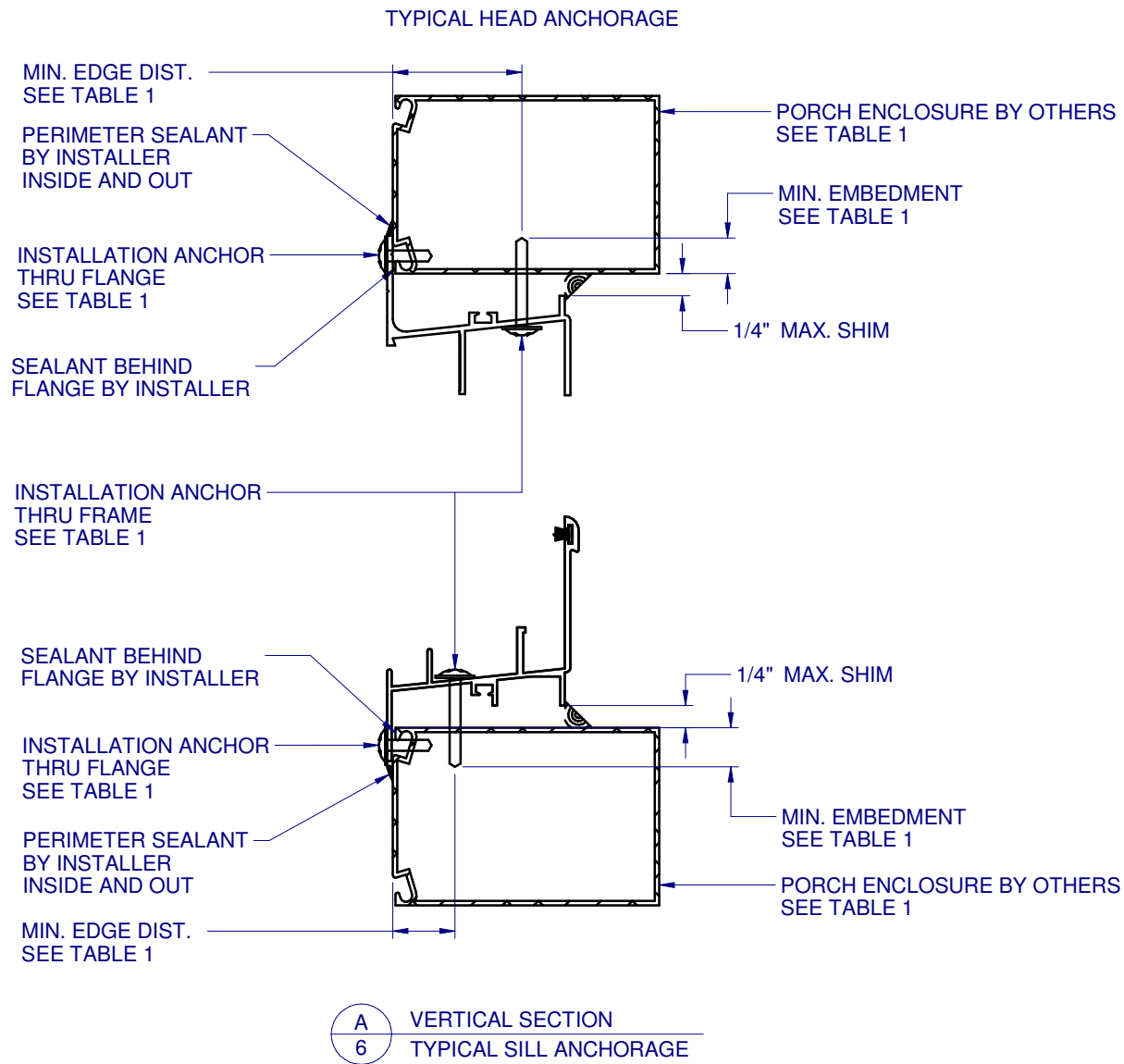
							EMK	02/24/15		
							ADE	10/12/11		
									BY:	DATE:
									NO.:	DESCRIPTION:
										REVISIONS



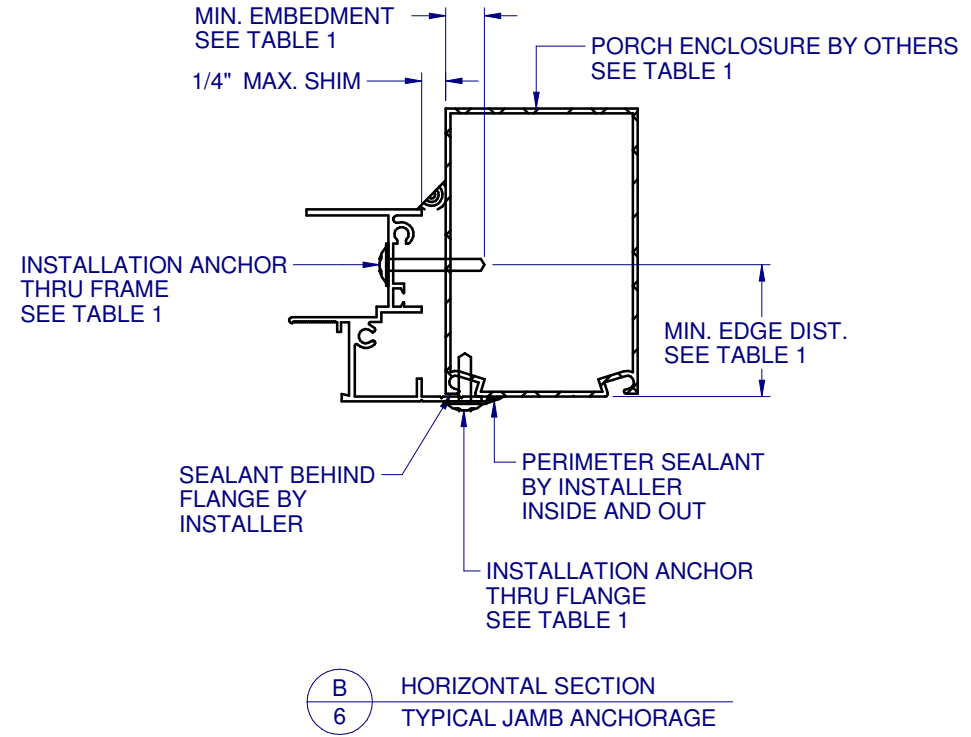
22  
4/3/2015

LUCAS A. TURNER, P.E.  
FL PE # 58201  
1239 JABARA AVE.  
NORTH PORT, FL 34288  
PH. 941-380-1574

SHEET DESCRIPTION:	
<b>INSTALLATION DETAIL</b>	
DRAWN BY:	DATE:
ADE	10/22/09
DWG #:	REV.:
CWS-515	B
SCALE:	SHEET
1:2	6 OF 6



**A**  
**6** VERTICAL SECTION  
TYPICAL SILL ANCHORAGE



**B**  
**6** HORIZONTAL SECTION  
TYPICAL JAMB ANCHORAGE

**TABLE 1: APPROVED INSTALLATION FASTENERS**

LOCATION	SUBSTRATE TYPE	ANCHOR TYPE	MIN. EMBEDMENT	MIN. EDGE DIST.
THRU FRAME	16 GAUGE (0.060") MIN. STEEL STUD (33 KSI YIELD MIN.)	#10-16 HILTI KWIK-FLEX OR ITW TEKS SELF-DRILLING	FULL THREAD THRU 0.060"	1/2"
THRU FRAME	1/8" ALUM. (6063-T5 MIN.) OR 1/8" STEEL (33 KSI MIN.)	#10 GRADE 5 SELF-TAPPING / DRILLING SCREW	FULL THREAD THRU 0.125"	1/2"
THRU FLANGE	16 GAUGE (0.060") MIN. STEEL STUD (33 KSI YIELD MIN.)	#8-18 HILTI KWIK-FLEX OR ITW TEKS SELF-DRILLING SCREW	FULL THREAD THRU 0.060"	1/2"
THRU FLANGE	1/8" ALUM. (6063-T5 MIN.) OR 1/8" STEEL (33 KSI MIN.)	#8 GRADE 5 SELF-TAPPING / DRILLING SCREW	FULL THREAD THRU 0.125"	1/2"