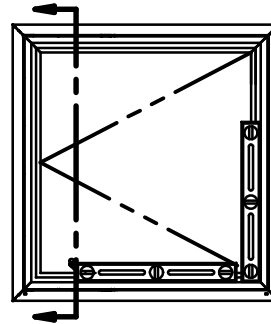


8400 Series PVC Casement

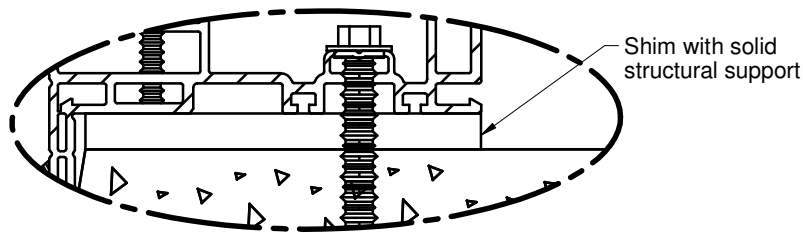
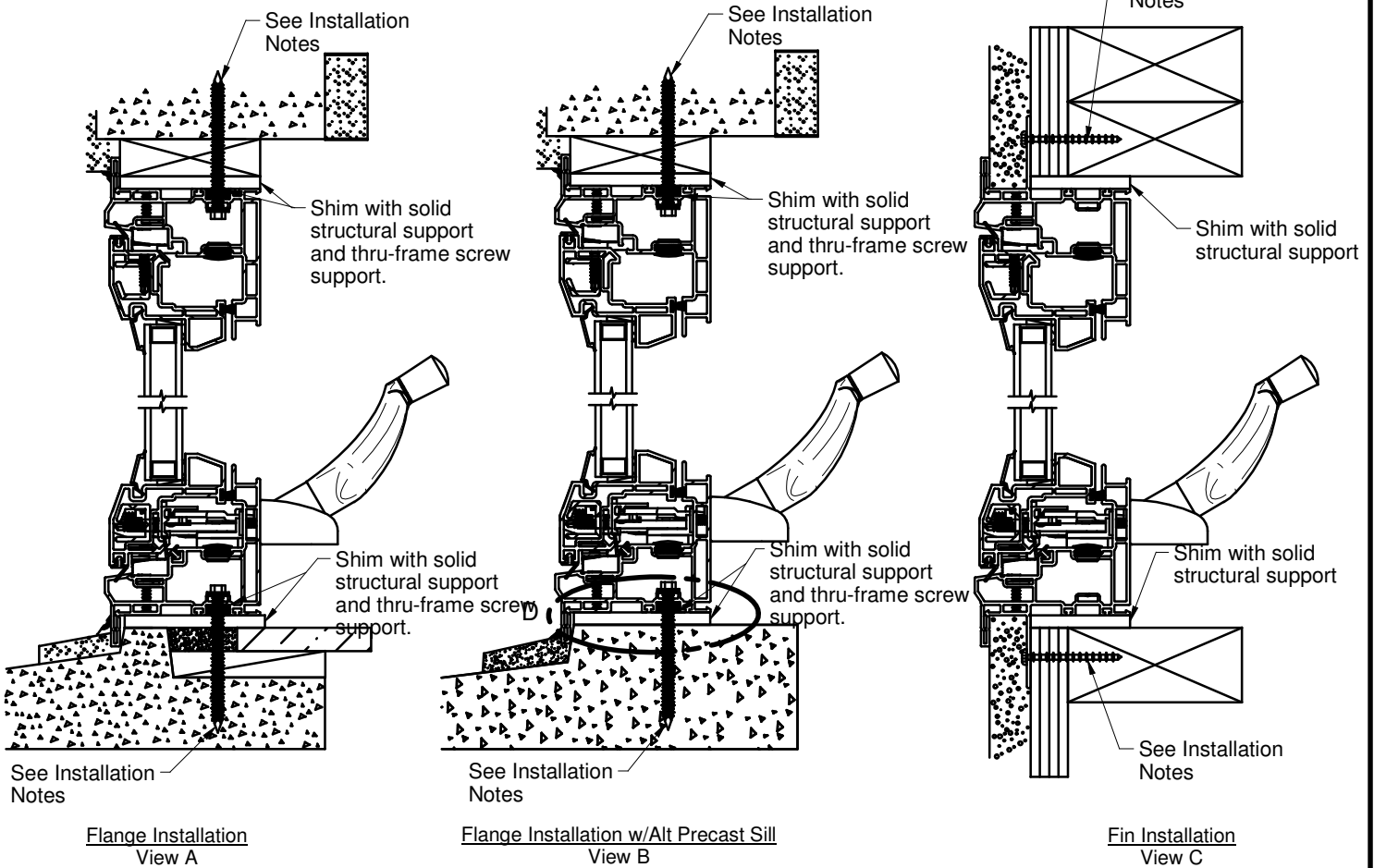
Installation Notes:

1. Place window in opening and install anchors with solid structural support through the frame at the hinge location. Required for flange and fin window. (Section View A, B & C)
2. Close and lock sash.
3. Check that the frame and sash are level. (Figure A)
4. As squareness is confirmed, install anchors in all remaining locations as required by the approved installation instructions listed below. For fin installation, see installation details below and fill unused frame holes with hole plugs:
 - Non-Impact Installation Instruction - CWS-160.
 - Impact Installation Instruction - CWS-161.



Left Hinge Shown
Right Hinge Opposite

Figure A



DETAIL D

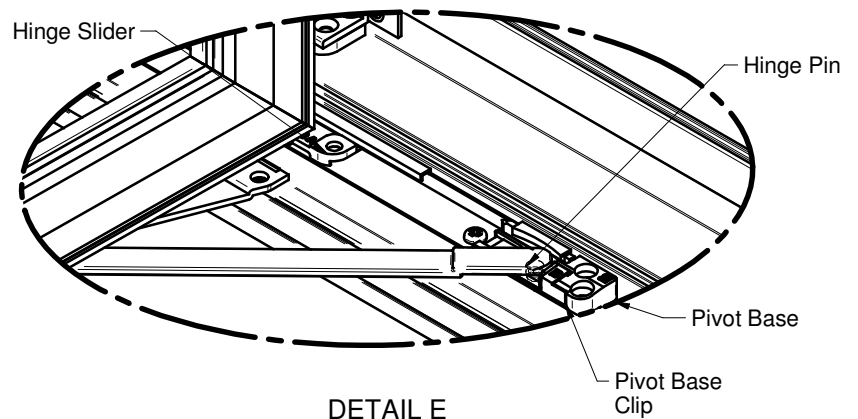
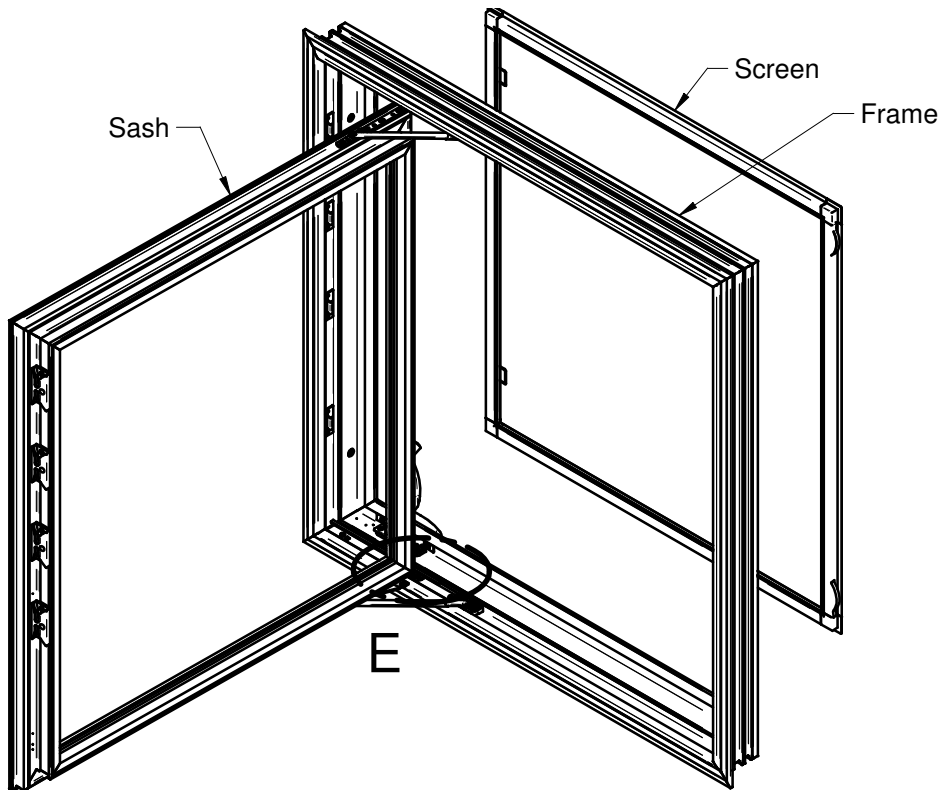
(For sash removal see page 2)

PROPRIETARY AND CONFIDENTIAL

THE INFORMATION CONTAINED IN THIS DRAWING IS THE SOLE PROPERTY OF CUSTOM WINDOW SYSTEMS, INC. ANY REPRODUCTION IN PART OR AS A WHOLE WITHOUT THE WRITTEN PERMISSION OF CUSTOM WINDOW SYSTEMS, INC. IS PROHIBITED.

Sash Removal / Top & Bottom Hinge (See detail E):

1. Unlock sash. Open window fully.
2. Disengage clip located at the pivot base of the hinge.
3. Remove the hinge pin from the pivot base.
4. Firmly hold the sash while moving the hinge slider to the opening on the track to remove.



PROPRIETARY AND CONFIDENTIAL

THE INFORMATION CONTAINED IN THIS DRAWING IS THE SOLE PROPERTY OF CUSTOM WINDOW SYSTEMS, INC. ANY REPRODUCTION IN PART OR AS A WHOLE WITHOUT THE WRITTEN PERMISSION OF CUSTOM WINDOW SYSTEMS, INC. IS PROHIBITED.